



INSTRUCTIONS FOR

**ELECTRONIC COMBINATION SECURITY SAFES**Model No's: **SECS00** **SECS01** **SECS01DS** **SECS02** **SECS03** **SECS04** **SECS05** **SECS06**

Thank you for purchasing a Sealey product. Manufactured to a high standard, this product will, if used according to these instructions, and properly maintained, give you years of trouble free performance.

**IMPORTANT:** PLEASE READ THESE INSTRUCTIONS CAREFULLY. NOTE THE SAFE OPERATIONAL REQUIREMENTS, WARNINGS & CAUTIONS. USE THE PRODUCT CORRECTLY AND WITH CARE FOR THE PURPOSE FOR WHICH IT IS INTENDED. FAILURE TO DO SO MAY CAUSE DAMAGE AND/OR PERSONAL INJURY AND WILL INVALIDATE THE WARRANTY. KEEP THESE INSTRUCTIONS SAFE FOR FUTURE USE.



Refer to  
instruction  
manual



Wear  
Protective  
Footwear

**1. SAFETY**

- WARNING!** These safes are heavy and care should be exercised in transit and handling to ensure that no one is injured.
- WARNING!** The installation of the safe should be carried out by 2 people.
- ✓ For maximum security, these safes must be securely fixed to a floor or wall.
- ✓ Ensure that any safe secured to a wall, is on a firm level surface.
- ✗ **DO NOT** install in areas where damp and condensation are present.
- WARNING!** The warnings, cautions and instructions referred to in this instruction manual cannot cover all possible conditions and situations that may occur. It must be understood that common sense and caution are factors which cannot be built into this product, but must be applied by the operator.

**2. INTRODUCTION**

Heavy-duty construction with twin locking bolts. Simple to operate electronic keypad accepts numbers of between three and eight digits, giving millions of combinations. Model SECS01DS also features safety deposit slot. Three LEDs show security, power and operating status. Also supplied with two keys for manual override should batteries fail. Includes screws and wall plugs.

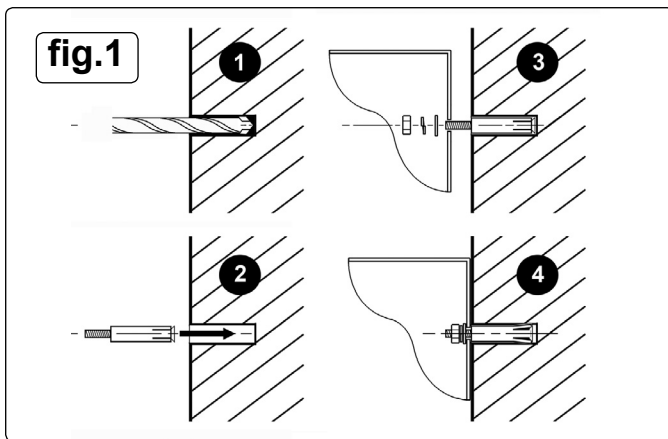
- WARNING!** If you or an intruder uses an incorrect group of numbers, the cabinet will not open and a yellow light will illuminate. Entering an incorrect PIN 3 times will freeze the system for 20 seconds.
- ▲ Keep the cabinet key and any record of the code separate from the cabinet and unidentified.

**3. SPECIFICATION**

Model Number	External Size (W x D x H)	Internal Size (W x D x H)	Wall / Door Thickness	Shelves	Slot size (W x H)
SECS00	310 x 200 x 200mm	305 x 180 x 195mm	2 / 4	N/a	N/a
SECS01	350 x 250 x 250mm	345 x 230 x 245mm	2 / 4	N/a	N/a
SECS01DS	350 x 250 x 250mm	345 x 230 x 245mm	2 / 4	N/a	145 x 10mm
SECS02	380 x 300 x 300mm	375 x 280 x 295mm	2 / 4	1	N/a
SECS03	450 x 365 x 250mm	445 x 350 x 245mm	2 / 4	N/a	N/a
SECS04	350 x 330 x 500mm	346 x 312 x 496mm	2 / 4	2	N/a
SECS05	380 x 360 x 575mm	376 x 330 x 572mm	2 / 4	2	N/a
SECS06	515 x 480 x 890mm	510 x 470 x 880mm	2 / 4	2	N/a

**4. INSTALLATION**

- 4.1. Consideration should be given to the placing of the safe to ensure that it is placed in a discreet location and will not be easily found by intruders.
- 4.2. Each safe is supplied with anchor bolts suitable for fixing to brick and concrete.
- 4.3. Fixing to hollow partition walls is not recommended. If fixed to wood it must be to a solid wooden structure.
- 4.4. Open the door of the safe (**see 5.1 for opening instructions**) and with the help of a second person, position it where required and mark the mounting positions through the pre-drilled holes in the back or base of the safe.
- 4.5. When mounting to a wall, ensure that the safe is sitting on a firm level surface.
- 4.6. Drill 10mm holes to a depth of 38mm (fig.1.1) and insert the anchor bolts with nuts and washers removed (fig.1.2).
- 4.7. Position the safe over the four protruding mounting studs and support it there whilst placing a washer, split washer and nut onto each stud (fig.1.3).
- 4.8. Continue to support the safe whilst tightening the fixings using a 10mm spanner. (fig.1.4)



## 5. OPERATION

### 5.1. Initial opening.

5.1.1. To open the door of the safe for the first time remove the logo panel in the centre of the main control panel. Prise out the panel using a small screwdriver. Insert key and turn anti-clockwise and the safe will be unlocked.

### 5.2. Entering a new combination.

5.2.1. **The combination must consist of between 3 and 8 numbers and should be safely recorded before being entered into the safe electronics.**

5.2.2. Firstly remove the battery cover from the rear of the safe door and insert 4 x AA batteries. Replace battery cover.

5.2.3. Press the red button on the inside of the door near the hinges.

5.2.4. Now enter your personal combination (3-8 numbers), and then press the “#” key to confirm your combination. A beep will sound for each key pressed. Be sure to write down this combination immediately, so you do not forget.

**NOTE! After entering the correct combination, if you do not open the door within 5 seconds it will re-lock.**

**NOTE! If the incorrect combination is used 3 times the system will freeze for 20 seconds. If again the incorrect combination is used 3 times the system will freeze for 5 minutes.**

### 5.3. Key operation.

5.3.1. If you forget your combination, you can use the manual override key: **DO NOT** keep override key in safe. The override lock is situated under the logo panel in the centre of the main control panel. Prise out the panel using a small screwdriver. Insert key and turn anti-clockwise and the safe will be unlocked. Snap panel back into place afterwards.

5.3.2. Please make a note of the key number which can be found on the key or on the barrel in the safe.

### 5.4. Low battery warning and replacement.

5.4.1. If red light shows in the top middle of the control panel this indicates low batteries. Change batteries by opening the safe and removing them from the back of the door. Then replace all batteries with new ones.

5.4.2. If the keypad does not work because the batteries in the safe are exhausted, use the override key to open the safe, and then replace all batteries.

### 5.5. Audible ‘Beep’ Shut Off.

5.5.1. The Audible Beep heard when pressing any button on the keypad can be turned on and off using the codes below.

5.5.2. Enter \*633 to turn the sound off.

5.5.3. Enter \*66 to turn the sound on.

### 5.6. Lost keys.

5.6.1. Should you lose your keys, we can supply replacements. To order these please contact our sales office on 01284 757500 and quote the unique number on the safe lock. We will also require a copy of your purchase invoice for the safe to confirm that you are the owner.

5.6.2. Please note that replacement keys are special order only (we do not carry these in stock for security reasons) and as such they can take 14 – 28 days to arrive.



#### BATTERY REMOVAL SEE 5.4

Under the Waste Batteries and Accumulators Regulations 2009, Jack Sealey Ltd are required to inform potential purchasers of products containing batteries (as defined within these regulations), that they are registered with Valpak’s registered compliance scheme. Jack Sealey Ltd Batteries Producer Registration Number (BPRN) is BPRN00705.



#### ENVIRONMENT PROTECTION

Recycle unwanted materials instead of disposing of them as waste. All tools, accessories and packaging should be sorted, taken to a recycling centre and disposed of in a manner which is compatible with the environment. When the product becomes completely unserviceable and requires disposal, drain any fluids (if applicable) into approved containers and dispose of the product and fluids according to local regulations.

**Note:** It is our policy to continually improve products and as such we reserve the right to alter data, specifications and component parts without prior notice.

**Important:** No Liability is accepted for incorrect use of this product.

**Warranty:** Guarantee is 12 months from purchase date, proof of which is required for any claim.

Sealey Group, Kempson Way, Suffolk Business Park, Bury St Edmunds, Suffolk. IP32 7AR



01284 757500



01284 703534



sales@sealey.co.uk



www.sealey.co.uk

