



BEAD SEATING TOOL

MODEL NO: TC900.V2

Thank you for purchasing a Sealey product. Manufactured to a high standard, this product will, if used according to these instructions, and properly maintained, give you years of trouble free performance.

IMPORTANT: PLEASE READ THESE INSTRUCTIONS CAREFULLY. NOTE THE SAFE OPERATIONAL REQUIREMENTS, WARNINGS & CAUTIONS. USE THE PRODUCT CORRECTLY AND WITH CARE FOR THE PURPOSE FOR WHICH IT IS INTENDED. FAILURE TO DO SO MAY CAUSE DAMAGE AND/OR PERSONAL INJURY AND WILL INVALIDATE THE WARRANTY. KEEP THESE INSTRUCTIONS SAFE FOR FUTURE USE.



Refer to Instruction Manual



Wear Protective Gloves



Wear Eye Protection



Wear Ear Protection



Wear Protective Clothing

1. SAFETY

- ✓ Ensure the bead seating tool is in good order and condition before use.
- ✓ Before carrying out maintenance on the unit ensure that the pressure has been vented.
- ✓ Use only authorised attachments and parts. Unauthorised items may be dangerous and will invalidate your warranty.
- ✓ Read the instructions regarding any accessory used with the bead seater.
- ✓ Keep the work area clean and tidy.
- ✓ Maintain correct balance and footing. Ensure the floor is not slippery and wear non-slip safety shoes.
- ✓ Ensure the working area is well lit.
- ✓ Always wear safety glasses and ear defenders when using the bead seater.
- ✓ Keep children and unauthorised persons away from the working area.
- ✗ **DO NOT** use the bead seater to perform a task for which it is not designed.
- ✗ **DO NOT** deface, or remove, the certification plate attached to the bead seater.
- ▲ **DANGER! DO NOT** direct compressed air towards people or animals.
- **WARNING!** The bead seater is a pressure vessel and the following safety measures apply.
- ✗ **DO NOT** use the bead seater without the safety valve fitted.
- ✗ **DO NOT** tamper with the safety valve, **DO NOT** modify or alter the bead seater in any way and **DO NOT** strap anything to it.
- ✗ **DO NOT** subject the bead seater to impact, vibration or heat and **DO NOT** allow contact with abrasives or corrosives.
- ✓ Drain condensation from bead seater daily, inspect inside walls for corrosion every three months and have a detailed internal and external inspection carried out annually. The bead seater shell must not fall below the certified thickness at any point.

WARNING! The warnings, cautions and instructions discussed in this manual cannot cover all possible conditions and situations that may occur. It must be understood that common sense and caution are factors which cannot be built into this product, but must be applied by the operator.

2. INTRODUCTION

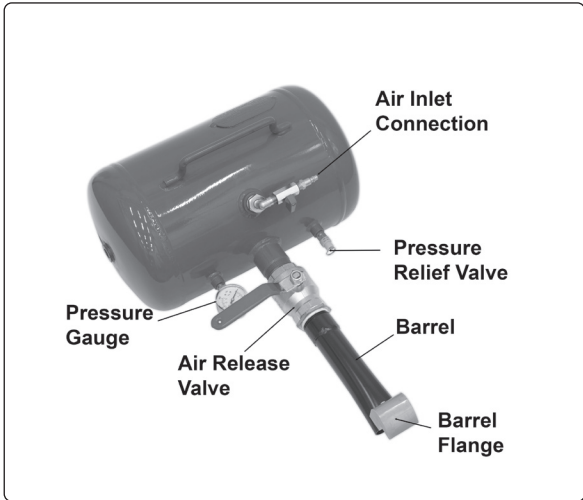
The easy and instant way to seat tubeless tyre beads. Dumps air into tyre void forcing bead to seat against rim for inflation. Air release is controlled by a hand lever operating a ball valve. Fully certified tank with gauge and safety valve prevents over pressurising. Suitable for use on cars, commercials, agricultural and ATV tyres.

3. SPECIFICATION

Model No: TC900.V2
 Maximum Pressure 150psi(10.4 bar)
 Tank Capacity 19ltr

4. ASSEMBLY

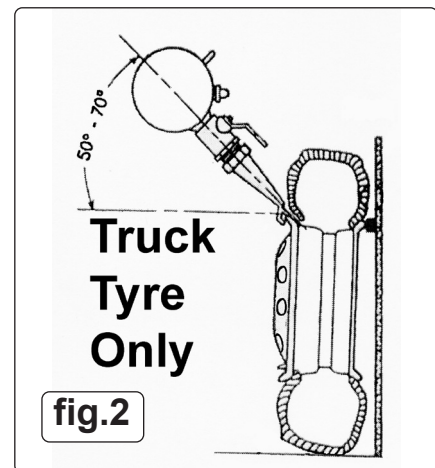
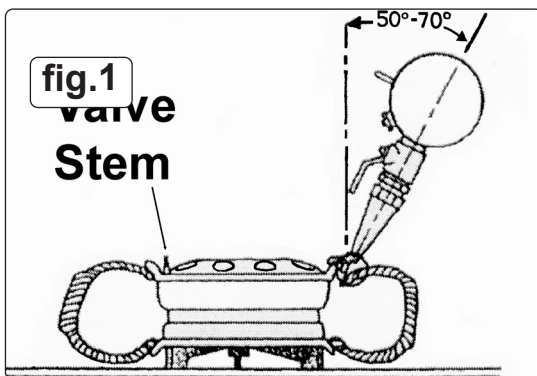
Check that all components are present and in good order. Screw the Barrel firmly into the Air Release Valve using PTFE tape or equivalent to enable sealing and ease of removal.



5. OPERATION

- 5.1. TO CHARGE THE TANK.**
- 5.1.1. Attach an air line to the air inlet connection on the bead seater, open the inlet valve and charge the tank to required pressure. The normal working pressure varies from 50psi to 130psi, depending on the size and condition of the tyre. The bead seater can help inflate all passenger, truck and even some small agricultural tyres. When used with the wheel in the upright position it will normally require a pressure over 90psi to set the bead.
- 5.2. USING THE BEAD SEATER IN THE HORIZONTAL POSITION.**

- 5.2.1. Adjust the barrel, so that the barrel flange is on the top, ensuring that it is secure.
- 5.2.2. Ensure that both beads of the tyre have been well lubricated and position the wheel on to a stand. The valve stem should be pointing upwards and the wheel should be off the ground so that the lower bead should be already seated.
- 5.2.3. Position the bead seater so that the weight of the unit is resting firmly and comfortably on your leg, and rest the barrel flange on the rim of the wheel directly opposite the valve stem. Attach an air line to the valve stem to simultaneously assist in the inflation process. The bead seater should be positioned at an angle of between 50 and 70 degrees (fig.1), so that the barrel is pointing directly into the largest gap between the tyre and the wheel (fig.3).
- 5.2.4. Holding the bead seater securely with one hand and keeping it steady against the wheel quickly open the release valve with the other hand. If the bead does not seat, recharge the tank to a higher pressure and repeat the procedure.
NOTE: Once the bead has been set, if required, move the wheel into a tyre cage and inflate to the manufacturers recommended pressure.
- 5.3. USING THE BEAD SEATER IN THE UPRIGHT POSITION (TRUCK TYRES ONLY).**
- 5.3.1. Adjust the barrel so that the barrel flange is on the bottom, ensuring that the lock nut holding it is secure.
- 5.3.2. Position the wheel against a wall or a solid prop. Make sure that the valve stem is at the bottom and facing towards you.
- 5.3.3. Attach an air line to the valve stem to simultaneously assist in the inflation process.
- 5.3.4. The bead seater should be positioned at an angle of between 50 and 70 degrees (fig.2), so that the barrel is pointing directly into the largest gap between the tyre and the wheel (fig.3).
- 5.3.5. Holding the bead seater securely with one hand and keeping it steady against the wheel quickly open the release valve with the other hand. If the bead does not seat, recharge the tank to a higher pressure and repeat the procedure.
NOTE: Once the bead has been set, if required, move the wheel into a tyre cage and inflate to the manufacturers recommended pressure.
- WARNING!** Always wear the personal safety equipment as recommended in these instructions whilst using this product.



ENVIRONMENT PROTECTION

Recycle unwanted materials instead of disposing of them as waste. All tools, accessories and packaging should be sorted, taken to a recycling centre and disposed of in a manner which is compatible with the environment. When the product becomes completely unserviceable and requires disposal, drain any fluids (if applicable) into approved containers and dispose of the product and fluids according to local regulations.

Note: It is our policy to continually improve products and as such we reserve the right to alter data, specifications and component parts without prior notice.

Important: No Liability is accepted for incorrect use of this product.

Warranty: Guarantee is 12 months from purchase date, proof of which is required for any claim.

Sealey Group, Kempson Way, Suffolk Business Park, Bury St Edmunds, Suffolk. IP32 7AR



01284 757500



01284 703534



sales@sealey.co.uk



www.sealey.co.uk