



3/4" SQ. DRIVE REAR DIFFERENTIAL PINION FLANGE TOOL - LAND ROVER FREELANDER II -

MODEL NO: **VSE9540**

Thank you for purchasing a Sealey product. Manufactured to a high standard, this product will, if used according to these instructions, and properly maintained, give you years of trouble free performance.

IMPORTANT: PLEASE READ THESE INSTRUCTIONS CAREFULLY. NOTE THE SAFE OPERATIONAL REQUIREMENTS, WARNINGS & CAUTIONS. USE THE PRODUCT CORRECTLY AND WITH CARE FOR THE PURPOSE FOR WHICH IT IS INTENDED. FAILURE TO DO SO MAY CAUSE DAMAGE AND/OR PERSONAL INJURY AND WILL INVALIDATE THE WARRANTY. KEEP THESE INSTRUCTIONS SAFE FOR FUTURE USE.



Refer to Instructions



Wear eye Protection

1. SAFETY

- WARNING!** Wear approved eye protection. Wear appropriate Personal Protective Equipment. A full range of Personal Protective Equipment is available from your Sealey stockist.
- WARNING!** Ensure that Health & Safety, Local Authority Regulations and general workshop practice Regulations are adhered to when using tools.
- × **DO NOT** use tools if damaged.
- ✓ Maintain tools to ensure that they are in an adequate condition for safe use and optimum performance.
- ✓ Ensure that a vehicle that has been raised by a jack is adequately supported. Use axle stands.
- ✓ Wear suitable clothing to avoid snagging. **DO NOT** wear jewellery. Tie back long hair.
- ✓ Account for all tools, parts and components being used. **DO NOT** leave these in or near the engine. Return tools to suitable storage after use.
- ▲ **IMPORTANT!** These Instructions are provided as a guide only. Always refer to the vehicle manufacturer's service instructions or a proprietary manual to establish the correct procedure and data.
- WARNING!** The warnings, cautions and instructions in this manual cannot cover all possible conditions and situations. The Operator / user must apply caution and common sense (good practical sense).
- ✓ When timing an engine, always prevent the engine from being turned over. Use a notice and/or inhibit the engine.
- WARNING!** Incorrect or out of phase camshaft timing can result in contact between the valve head and the piston crown. This will cause damage to the engine.

2. INTRODUCTION

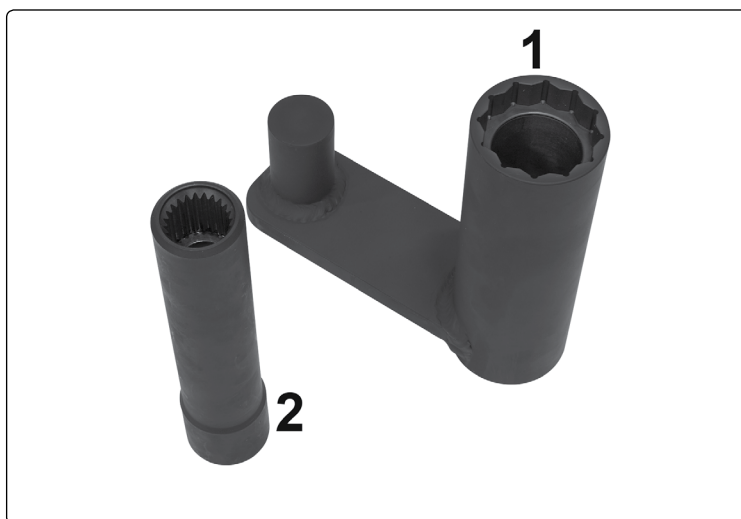
Two piece kit essential for removal/installation of the pinion drive nut. Contains 12 sided pinion nut holding tool and splined socket. Suitable for post 2006 Land Rover Freelander 2.

3. CONTENTS

Item	Part no.	Description
1	VSE9540.01	12 sided holding tool
2	VSE9540.02	Deep splined socket
OE tools		
	JLR-205-984	

4. APPLICATIONS

Models:
Land Rover Freelander II post 2006



5. OPERATION

- 5.1. Two-piece kit essential for removal/installation of the pinion drive nut on post 2006 Land Rover Freelander. Contains 12 sided pinion nut holding tool and splined socket.
- 5.2. Refer to manufacturer's instructions or a proprietary workshop manual for the correct torque settings and procedures for the repair being performed.
- 5.3. **REMOVAL**
- 5.3.1. Locate the 12 sided holding tool on the pinion nut and ensure the lug is located against the differential casing appropriate to the direction required to undo the flange nut.
- 5.3.2. Insert the deep splined socket through the holding tool and locate onto the splined shaft, turn the deep splined socket in a clockwise direction to undo the flange nut.
- 5.4. **INSTALLATION**
- 5.4.1. After the desired repair has been completed, locate the 12 sided holding tool on the pinion nut and ensure the lug is located against the differential casing appropriate to the direction required to undo the flange nut.
- 5.4.2. Insert the deep splined socket through the holding tool and locate onto the splined shaft, turn the deep splined socket in an anti-clockwise direction to tighten the flange nut.
- Note:** Tightening torques can be up to 250Nm, a suitable torque wrench such as the Sealey AK228 will be required.



ENVIRONMENT PROTECTION

Recycle unwanted materials instead of disposing of them as waste. All tools, accessories and packaging should be sorted, taken to a recycling centre and disposed of in a manner which is compatible with the environment. When the product becomes completely unserviceable and requires disposal, drain any fluids (if applicable) into approved containers and dispose of the product and fluids according to local regulations.

Note: It is our policy to continually improve products and as such we reserve the right to alter data, specifications and component parts without prior notice.

Important: No Liability is accepted for incorrect use of this product.

Warranty: Guarantee is 12 months from purchase date, proof of which is required for any claim.

Sealey Group, Kempson Way, Suffolk Business Park, Bury St Edmunds, Suffolk. IP32 7AR



01284 757500



01284 703534



sales@sealey.co.uk



www.sealey.co.uk