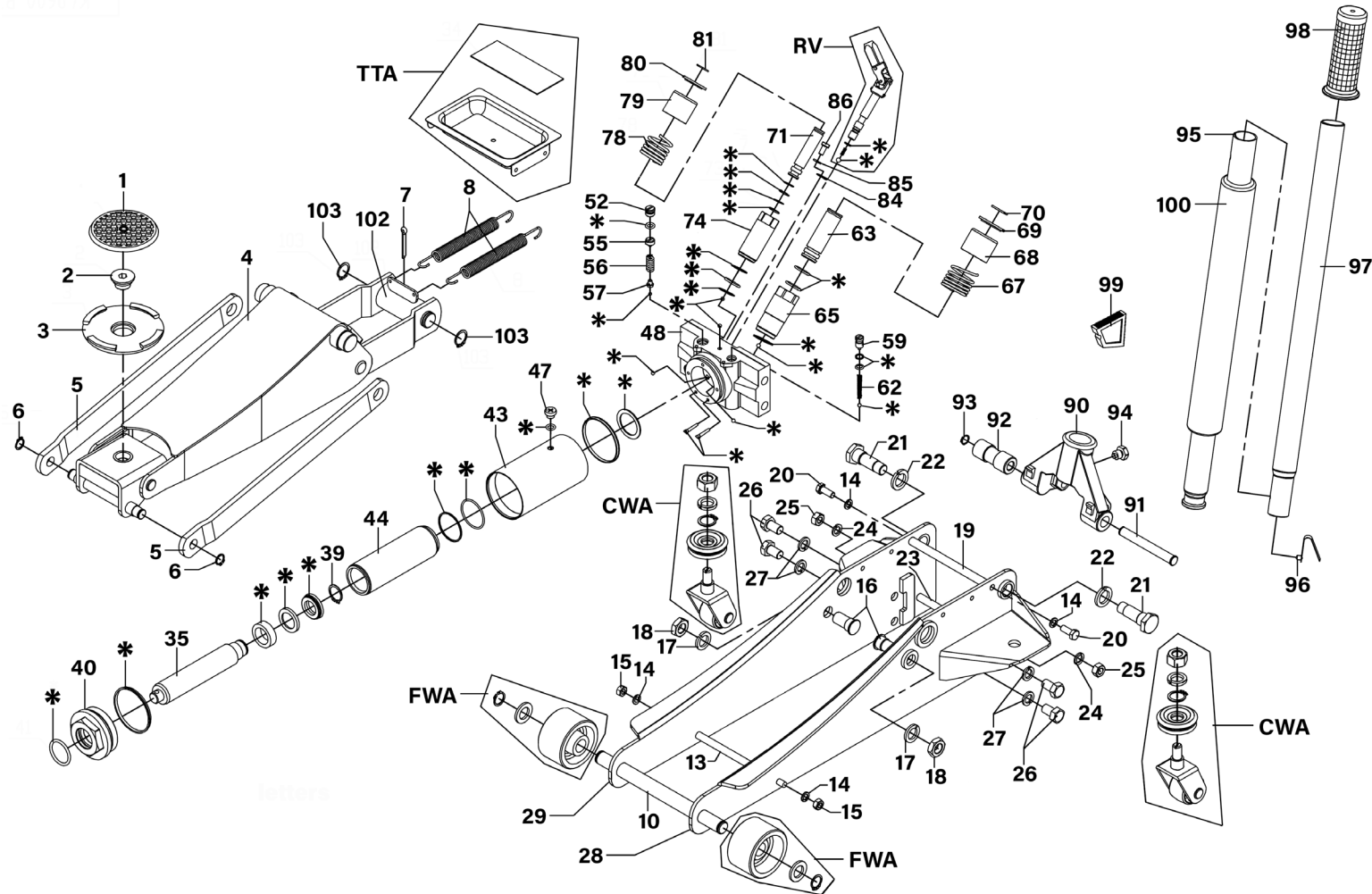




Parts Information:
Trolley Jack 2.5 Tonne Low Profile(with Rocket Lift)
Model No: 2500LE.V4 & 2501LE.V2



NOTE: It is our policy to continually improve products and as such we reserve the right to alter data, specifications and component parts without prior notice.

There may be alternative versions of this product, please contact us should you require this information.

IMPORTANT: No liability is accepted for incorrect use of product. Spare parts must be fitted by a competent person

WARRANTY: Guarantee is 12 months from purchase date, proof of which will be required for any claim.

Sealey Group, Kempson Way, Suffolk Business Park, Bury St Edmunds, Suffolk. IP32 7AR



01284 757500



sales@sealey.co.uk



www.sealey.co.uk



Parts Information:
**Trolley Jack 2.5 Tonne Low Profile(with
 Rocket Lift)**
Model No: 2500LE.V4 & 2501LE.V2

Item	Part No.	Description	Qty
1	JP17	Safety Rubber Jack Pad - Type B	1
2	4040A.02	Saddle Pin	1
3	2500LE.V3-03	Saddle	1
4	2500LE.V3-04	Lift Arm Assembly	1
5	2500LE.V3-05	Radius Link	2
6	SQ0026	External Circlip	2
7	SQ0039	Cotter Pin	1
8	2500LE.V3-08	Return Spring Dia 16mm	2
10	SQ0166	Front Axle	1
13	SQ0168	Frame Tie Rod	1
14	SWM8.S	Spring Washer M8 Zinc	4
15	SN8.S	Steel Nut M8 Zinc	2
16	SQ0089	Radius Link Stud	2
17	SWM16.S	Spring Washer M16 Zinc	4
18	NLN16.S	Nyloc Nut M16 Zinc	2
19	SQ0190	Frame Tie Rod	1
20	SS820.S	Hex Head Set Screw M8 X 20 Zinc	2
21	SQ0205	Handle Sleeve Bolt	2
22	SWM18.S	Spring Washer M18 Zinc	2
23	2500LE.V3-23	Frame Tie Rod	1
24	SWM10.S	Spring Washer M10 Zinc	2
25	NLN10.S	Nyloc Nut M10 Zinc	2
26	SS1220.S	Hex Head Set Screw M12 X 20 Zinc	4
27	SWM12.S	Spring Washer M12 Zinc	4
28	2500LE.V3-28	Frame, Left Side	1
29	2500LE.V3-29	Frame, Right Side	1
35	2500LE.V3-35	Ram Plunger	1
39	2500LE.V3-39	External Circlip 20.5mm ID.	1
40	SQ0199	Top Nut	1
43	SQ0201	Reservior	1
44	SQ0203	Cylinder	1
47	3001CXP.49	Oil Filler Plug Screw	1
48	SQ0425	Base	1
52	SQ0426	Guard Screw	1
55	SQ0427	Safety Valve Screw	1
56	SQ0428	Safety Valve Spring	1
57	SQ0429	Ball Seat Valve	1

Item	Part No.	Description	Qty
59	SQ0384	Valve Screw	1
62	2500LE.V3-62	Taper Spring Dia 8.4mm	1
63	4040TB.73	Pump Piston (B)	1
65	SQ0229	Pump cylinder (large)	1
67	2500LE.V3-67	Pump Core Spring (B) Dia 37.4mm	1
68	2500LE.V3-68	Spring Sleeve (B)	1
69	2500LE.V3-69	Spring Stop Plate (B)	1
70	2500LE.V3-70	Spring Stop Plate Ring (B)	1
71	2500LE.V3-71	Pump Piston (A)	1
74	2500LE.V3-74	Pump 'A'	1
78	2500LE.V3-78	Pump Core Spring (A) Dia 33.5mm	1
79	2500LE.V3-79	Spring Sleeve (A)	1
80	2500LE.V3-80	Spring Stop Plate (A)	1
81	4040A.78	Snap ring	1
84	2500LE.V3-84	Flat Washer (26 x 17 x t3)	1
85	SWM6.S	Spring Washer M6 Zinc	1
86	SS612.S	Hex Head Set Screw M6 X 12 Zinc	1
90	SQ0234	Handle Socket	1
91	2500LE.V3-91	Handle Socket Pin	1
92	SQ0236	Handle Socket Roller	1
93	2500LE.V3-93	External Circlip 12.0mm ID.	1
94	4040A.87N	Handle Socket Bolt	1
95	SQ0387	Upper Handle	1
96	2001LERE.V2-92	Handle Lock Button	1
97	SQ0388	Lower Handle	1
98	2500LE.V3-98	Handle Grip	1
99	SQ0354	Handle Locking Block	1
100	2500LE.V3-100	Handle Sleeve	1
102	SQ0430	Connection Rod	1
103	2500LE.V3-39	External Circlip 20.5mm ID.	1
CWA	2500LE-V4-CWA	Wheel,Rear Swivel Castor, Single Bolt	2
FWA	2500LE-V4-FWA	Wheel Assembly, Front, Fixed	2
--	2500LE-V4-HU	Hydraulic Unit Complete (Not Shown)	1
RV	2500LE-V4-RV	Release Valve Assembly	1
TTA	2500LE-V4-TTA	Tool Tray Assembly	1
RK	2500LE-V4-RK	Repair Kit	1

2501LE.V2

Item	Part No.	Description	Qty
CWA	2501LE-V2-CWA	Wheel,Rear Swivel Castor, Single Bolt (PU)	2

Item	Part No.	Description	Qty
FWA	2501LE-V2-FWA	Wheel Assembly, Front, Fixed (PU)	2

NOTE: It is our policy to continually improve products and as such we reserve the right to alter data, specifications and component parts without prior notice. There may be alternative versions of this product, please contact us should you require this information.

IMPORTANT: No liability is accepted for incorrect use of product. Spare parts must be fitted by a competent person

WARRANTY: Guarantee is 12 months from purchase date, proof of which will be required for any claim.

Sealey Group, Kempson Way, Suffolk Business Park, Bury St Edmunds, Suffolk. IP32 7AR



01284 757500



sales@sealey.co.uk



www.sealey.co.uk