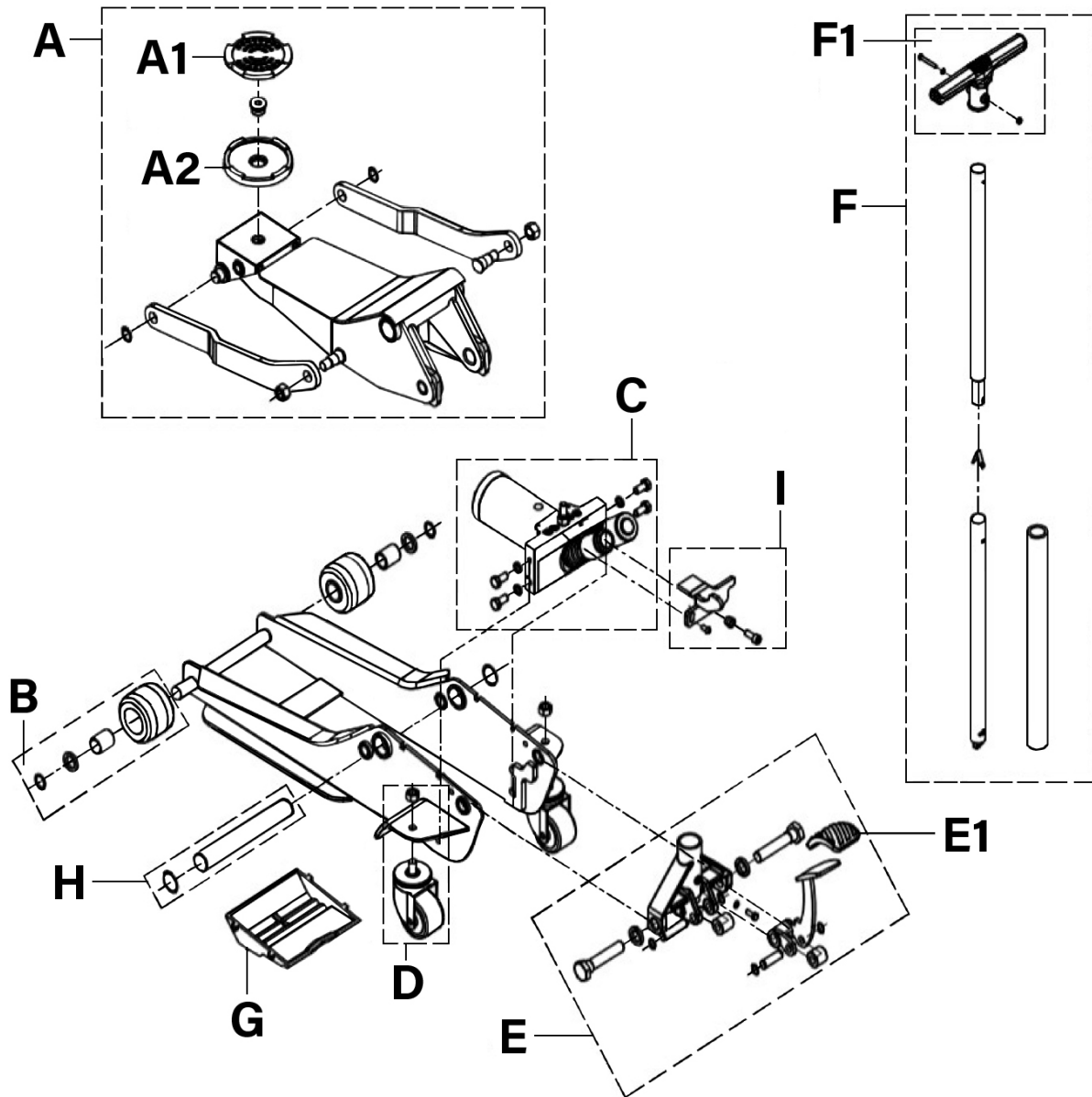


Parts Information:
**Viking 3 Tonne Low Profile Professional
 Trolley Jack with Rocket Lift
 Model No: 3100TB**



Item	Part No.	Description	Qty
A	3100TB.A	Lifting Arm Assembly	1
A1	3100TB.A1	Rubber Saddle Pad	1
A2	3100TB.A2	Saddle, Black Serrated, Stepped (F) Ø 110mm (c/w Hex Bolt)	1
B	3100TB.B	Wheel, Front Fixed w/Fixings (D: 75 W: 60 H: 25)	2
C	3100TB.C	Oil Cylinder Assembly	1
D	3100TB.D	Wheel, Swivel Castor, Single Bolt (D: 63 W:40 B: 10 H: 118)	2

Item	Part No.	Description	Qty
E	3100TB.E	Handle Socket Assembly	1
E1	3100TB.E1	Rubber Foot Pad	1
F	3100TB.F	Handle Assembly	1
F1	3100TB.F1	Top Handle Grip Assembly (T-Shape)	1
G	3100TB.G	Bottom Tray	1
H	3100TB.H	Lifting Arm Pin	1
I	3100TB.I	Release Valve Assembly	1
--	2001LERE.V2-92	Handle Lock Button (Not Shown)	

NOTE: It is our policy to continually improve products and as such we reserve the right to alter data, specifications and component parts without prior notice. There may be alternative versions of this product, please contact us should you require this information.

IMPORTANT: No liability is accepted for incorrect use of product. Spare parts must be fitted by a competent person

WARRANTY: Guarantee is 12 months from purchase date, proof of which will be required for any claim.