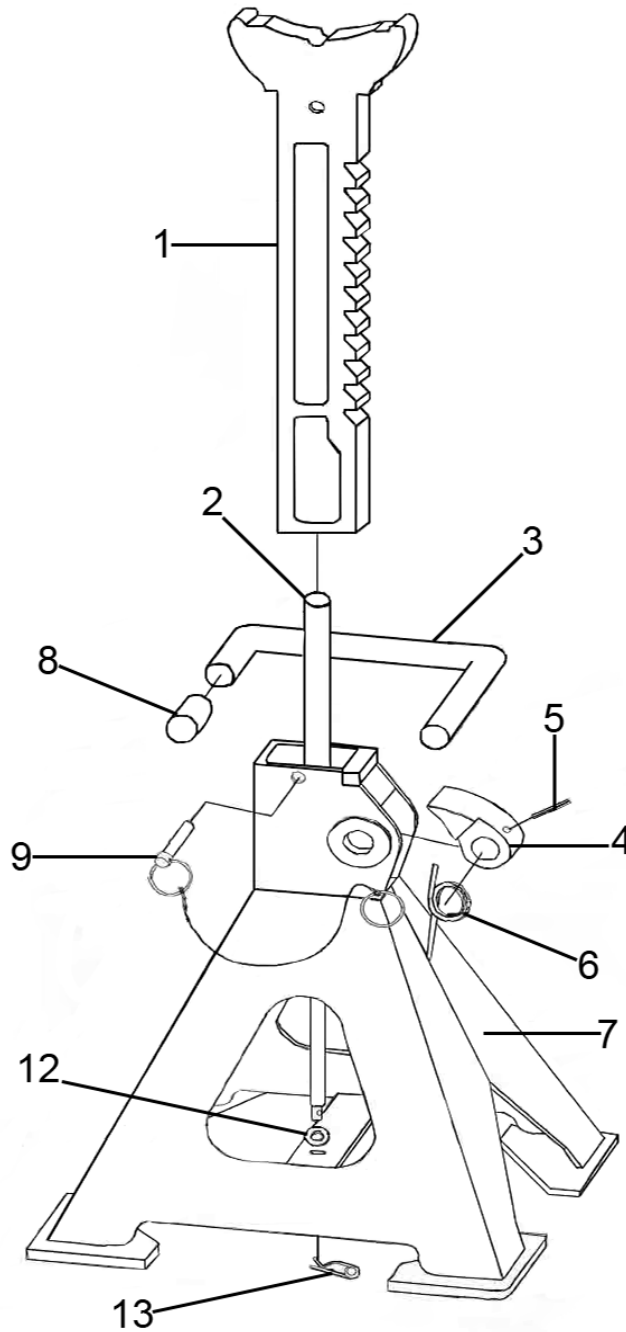




Parts Information:  
**Axle Stands (Pair) 5 Tonne Capacity per  
 Stand Auto Rise Ratchet  
 Model No: AAS5000**



Item	Part No.	Description	Qty
1	AAS5000.01	Centre Column	2
2	AAS5000.02	Gas Strut 550mm	2
3	AAS5000.03	Locking Lever	2
4	AAS5000.04	Pawl	2
5	AAS3000.10	Spring Pin M5 x 30mm	2
6	AAS5000.06	Pawl Spring 23.9mm	2

Item	Part No.	Description	Qty
7	AAS5000.07	Base Frame	2
8	AAS5000.08	Locking Lever Grip	2
9	AAS5000.09-11	Pin & Chain Assembly	2
12	AAS5000.12	Washer	2
13	AAS5000.13	R-Pin	2

**NOTE:** It is our policy to continually improve products and as such we reserve the right to alter data, specifications and component parts without prior notice. There may be alternative versions of this product, please contact us should you require this information.

**IMPORTANT:** No liability is accepted for incorrect use of product. Spare parts must be fitted by a competent person

**WARRANTY:** Guarantee is 12 months from purchase date, proof of which will be required for any claim.

Sealey Group, Kempson Way, Suffolk Business Park, Bury St Edmunds, Suffolk. IP32 7AR



01284 757500



sales@sealey.co.uk



www.sealey.co.uk