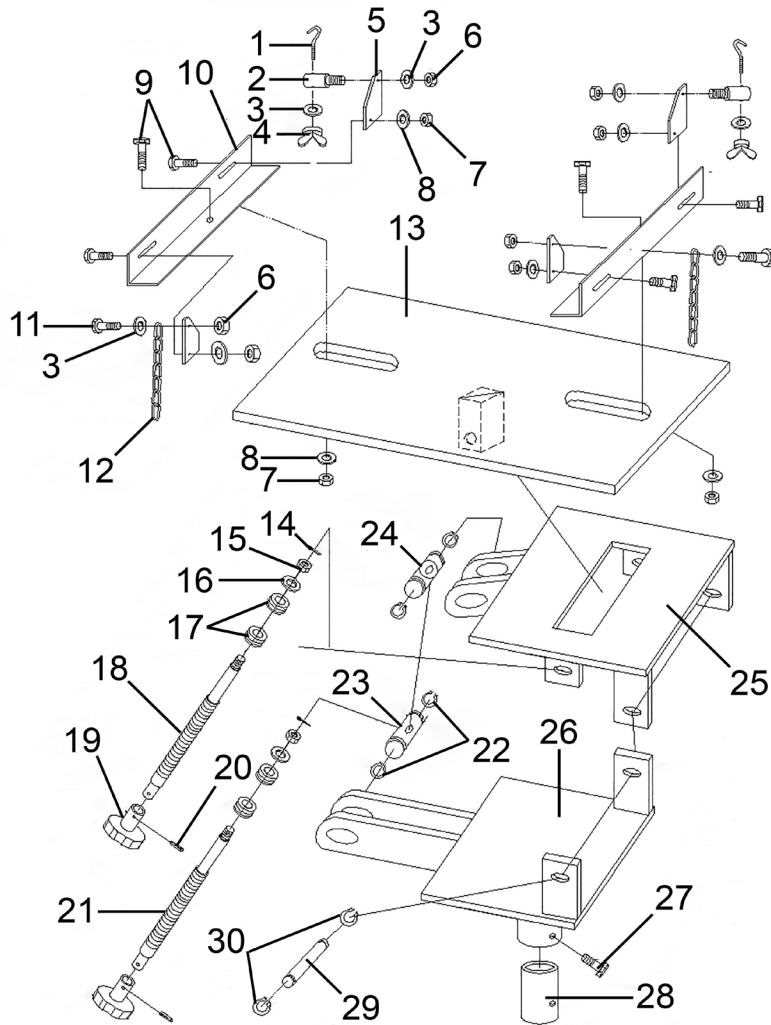


Parts Information:
Adjustable Gearbox Support 500kg
Capacity for 300ETJ & 500ETJ
Model No: ADT7.V2



| Item | Part No. | Description | Qty |
|------|------------|---------------------|-----|
| 1 | ADT7V2-01 | Chain Hook | 2 |
| 2 | ADT7V2-02 | Shaft | 2 |
| 3 | FWM8.S | Flat Washer M8 | 4 |
| 4 | SN8.SW | Wing Nut M8 | 2 |
| 5 | ADT7V2-05 | Plate | 4 |
| 6 | SN8.S | Steel Nut M8 | 4 |
| 7 | SN10.S | Steel Nut M10 | 4 |
| 8 | FWM10.S | Flat Washer M10 | 4 |
| 9 | ADT7V2-09 | Bolt M10 x 25mm | 6 |
| 10 | ADT7V2-10 | Angle | 2 |
| 11 | ADT7V2-11 | Bolt M8 x 25mm | 2 |
| 12 | ADT7V2-12 | Chain | 2 |
| 13 | ADT7V2-13 | Top Saddle Plate | 1 |
| 14 | BTR4.V2-10 | Cotter Pin 2 x 25mm | 2 |
| 15 | ADT7V2-15 | Castle Nut M10 | 2 |

| Item | Part No. | Description | Qty |
|------|------------|-----------------------------|-----|
| 16 | FWM12.S | Flat Washer M12 | 2 |
| 17 | B/51101 | Bearing Race | 4 |
| 18 | ADT7V2-18 | Screw | 1 |
| 19 | ADT7V2-19 | Knob M12 | 2 |
| 20 | 800TTJ.227 | Spring Pin M4 x 25mm | 2 |
| 21 | ADT7V2-21 | Screw | 1 |
| 22 | 3290CX.16 | External Circlip 25.8mm ID. | 4 |
| 23 | ADT7V2-23 | Threaded Shaft | 1 |
| 24 | ADT7V2-24 | Anchor Shaft | 1 |
| 25 | ADT7V2-25 | Middle Plate | 1 |
| 26 | ADT7V2-26 | Under Plate | 1 |
| 27 | ADT7V2-27 | Bolt M8 x 20mm | 1 |
| 28 | ADT7V2-28 | Transition Sleeve | 1 |
| 29 | ADT7V2-29 | Shaft | 1 |
| 30 | MC4500.P5 | External Circlip 14.5mm ID. | 2 |

NOTE: It is our policy to continually improve products and as such we reserve the right to alter data, specifications and component parts without prior notice. There may be alternative versions of this product, please contact us should you require this information.

IMPORTANT: No liability is accepted for incorrect use of product. Spare parts must be fitted by a competent person

WARRANTY: Guarantee is 12 months from purchase date, proof of which will be required for any claim.