

SEALEY

PROFESSIONAL SOLDERING/HEATING KIT

MODEL NO: **AK2962**

Thank you for purchasing a Sealey product. Manufactured to a high standard, this product will, if used according to these instructions, and properly maintained, give you years of trouble free performance.

IMPORTANT: PLEASE READ THESE INSTRUCTIONS CAREFULLY. NOTE THE SAFE OPERATIONAL REQUIREMENTS, WARNINGS & CAUTIONS. USE THE PRODUCT CORRECTLY AND WITH CARE FOR THE PURPOSE FOR WHICH IT IS INTENDED. FAILURE TO DO SO MAY CAUSE DAMAGE AND/OR PERSONAL INJURY AND WILL INVALIDATE THE WARRANTY. KEEP THESE INSTRUCTIONS SAFE FOR FUTURE USE.



Refer to
Instruction
Manual



Wear eye
Protection



Warning
Hot
Surface

1. SAFETY

- WARNING!** Ensure Health & Safety, local authority, and general workshop practice regulations are adhered to when using this equipment.
- WARNING!** Always wear approved eye / face protection when operating the torch.
- WARNING! DO NOT** use the torch if you notice that it is damaged or if there could be a gas leak from it.
- WARNING!** Butane gas is extremely flammable, handle with care.
- WARNING!** Always point the torch away from the eyes and body when igniting and during operation.
- WARNING! DO NOT** put the torch down when it is lit, **DO NOT** leave it unattended.
- WARNING!** The flame is not easily visible in bright daylight.
- WARNING!** Ensure the flame is completely extinguished after use. **DO NOT** use water to cool the torch down.
- WARNING!** Only use in a well ventilated area.
- * **DO NOT** use the torch in an area where paint fumes, solvents or other flammable solids, liquids or gases pose a potential hazard. Keep flammable material away from the torch when operating.
- * **DO NOT** operate the torch when you are tired or under the influence of alcohol, drugs or intoxicating medication.
- * **DO NOT** hold any work-piece by hand.
- * **DO NOT** touch the work-piece close to the heated area as it will be very hot. Allow to cool.
- * **DO NOT** operate the torch if it is damaged as this may cause failure and/or possible personal injury.
- * **DO NOT** leave a hot soldering iron unattended.- If leaving the work area, even for a short period of time, switch it off and allow to cool.
- * **DO NOT** use the soldering iron for any purpose other than that for which they have been designed.
- * **DO NOT** touch the top of the torch during or immediately after use, as it will be very hot. Allow to cool.
- * **DO NOT** allow children to operate the torch.
- * **DO NOT** store at over 40°C, such as in a car in hot weather.
- * **DO NOT** attempt to remove excess solder from the soldering iron by shaking it, as hot solder may become airborne and land on skin causing burns and blisters.
- * **DO NOT** attempt to cool the soldering iron with water.
- ✓ After use, allow the torch to cool before storing it.
- ✓ When not in use, store away from direct sunlight in a safe, dry, childproof location.
- ✓ Familiarise yourself with the application, limitations and potential hazards of the soldering iron.
- ✓ Replace or repair damaged parts. *Use genuine parts only. Non-authorized parts may be dangerous and will invalidate the warranty.*
- ✓ Locate in a suitable work area, keep the work area clean and tidy, and free from unrelated materials. Ensure there is adequate lighting.
- ✓ Keep the soldering iron clean for best and safest performance.
- ✓ Ensure there are no flammable or combustible materials near the work area.
- ✓ Wear approved safety eye protection (standard spectacles are not adequate).
- ✓ Wear appropriate protective clothing.
- ✓ Remove ill fitting clothing, ties, watches, rings and other loose jewellery and contain long hair.
- ✓ Ensure the work piece is adequately held before operating the soldering iron.
- ✓ Ensure that when the soldering iron is put down during use, that the tip is not near to, or in contact with any material that may burn or melt.
- ✓ Remove excess solder from the soldering iron by wiping the tip on a damp sponge.

2. INTRODUCTION

High quality, lightweight torch kit. Suitable for heating, soldering and shrinking. Powered by butane (lighter fuel) and features a piezoelectric ignition switch. Supplied with an anti-ignition cap and features an adjustable gas/flame control. Torch is fitted with a retractable stand.

3. CONTENTS

- | | |
|---------------------|-----------------------|
| 1. Soldering torch | 5. 3 x Soldering Tips |
| 2. Hot Air Nozzle | 6. Hot Knife |
| 3. Deflector Nozzle | 7. Soldering Sponge |
| 4. Soldering Head | 8. Solder Wire |



4. FILLING AND OPERATION

4.1. FILLING

Use standard butane fuel. Fill in a well ventilated area away from open flame. Turn the torch off, make sure the flame is out, allow to cool down for five minutes before filling.

- 4.1.1. Hold the torch upside down and insert the filling can's nozzle into the gas filling valve (fig.1). Press the nozzle into the valve and release gas. Once gas begins to seep out around the edge of the nozzle, the gas tank is full. Remove the filling can.
- 4.1.2. The fuel level may be checked by looking in the fuel level window (fig.1).

4.2. OPERATION

- 4.2.1. Remove the anti-ignition cap.
- 4.2.2. Select required flame size using the flame control (fig.2).

4.3. SOLDERING IRON

- 4.3.1. Ensure soldering tip (fig.1) is fitted, press the safety button (fig.1) and pull the trigger down. Once the flame is established, the trigger may be locked by sliding the trigger lock (fig.2) to the right.

4.4. PENCIL TORCH

- 4.4.1. Remove the soldering head and ignite as in 4.3.

4.5. FLAMELESS HEAT SOURCE

- 4.5.1. Remove the soldering tip from the soldering head and ignite as in 4.3.
- 4.5.2. If the trigger has been locked, move the trigger lock to the left to extinguish the flame.
- 4.2.7. Deploy the retractable rest to stand the torch after use to avoid damaging the surface on which it stands.
- 4.2.8. The case of the AK2962 can be used as a workstation as in fig.3.

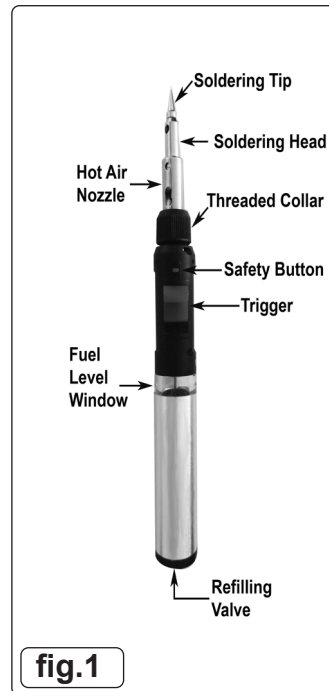


fig.1

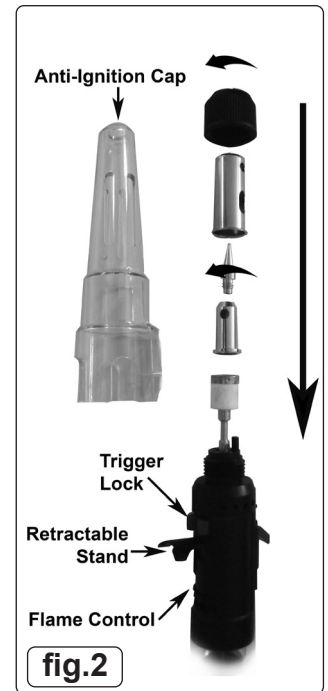


fig.2



fig.3

ENVIRONMENT PROTECTION



Recycle unwanted materials instead of disposing of them as waste. All tools, accessories and packaging should be sorted, taken to a recycling centre and disposed of in a manner which is compatible with the environment. When the product becomes completely unserviceable and requires disposal, drain any fluids (if applicable) into approved containers and dispose of the product and fluids according to local regulations.



REGISTER YOUR PURCHASE HERE

Note: It is our policy to continually improve products and as such we reserve the right to alter data, specifications and component parts without prior notice.

Important: No Liability is accepted for incorrect use of this product.

Warranty: Guarantee is 36 months from purchase date, proof of which is required for any claim.

Sealey Group, Kempson Way, Suffolk Business Park, Bury St Edmunds, Suffolk. IP32 7AR

01284 757500

sales@sealey.co.uk

www.sealey.co.uk