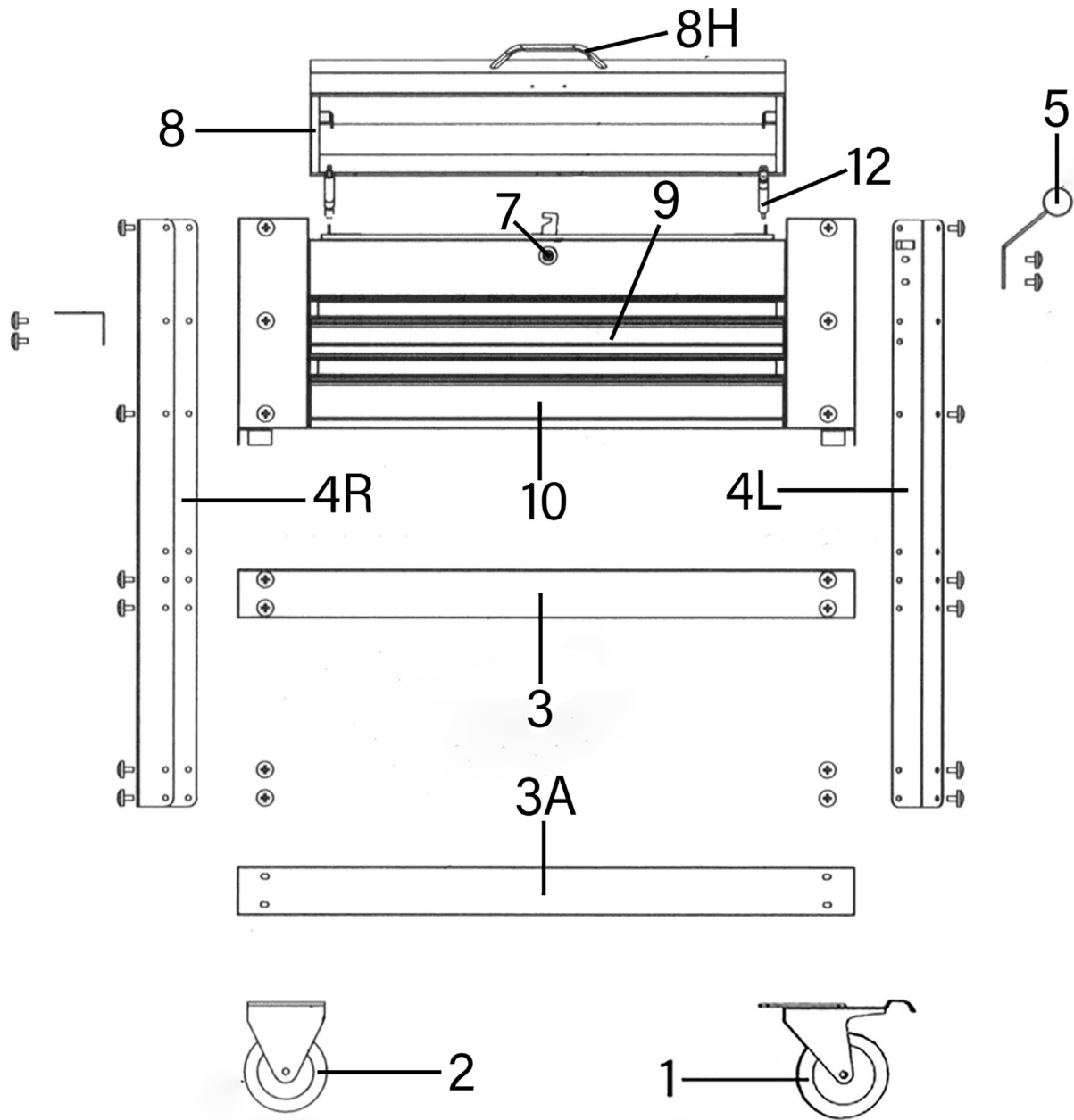




Parts Information:
**Heavy-Duty Mobile Tool & Parts Trolley 2
 Drawers & Lockable Top - Orange**
Model No: AP760MO



Item	Part No.	Description
1	AP760MHV.01	Wheel, Swivel Castor (w/Brake)(99 x 30 x 12 x 130)
2	AP760MHV.02	Wheel, Fixed Castor (99 x 30 x 12 x 130)
3	AP760MO.03M	Shelf, Middle 760 x 435 x 60mm
3A	AP760MO.03L	Shelf, Lower 760 x 435 x 60mm
4L	AP760MHV.04L	Upright (Front Left, Rear Right)
4R	AP760MHV.04R	Upright (Front Right, Rear Left)
5	AP760MHV.05	Side Handle
7	AP760MHV.07	Lock (c/w Key)
8	AP760MO.08	Top Lid

Item	Part No.	Description
8H	AP760M.08H	Handle, Top Lid (c/w Screws)
9	AP760MO.09	Drawer 560 x 400 x 65mm
10	AP760MO.10	Drawer 560 x 400 x 85mm
12	AP760MHV.12	Gas Strut
--	AP760MHV.06	Ball Bearing Slide (Pair)(Not Shown)
--	AP760MHV.FK	Fixing Kit (Not Shown)
--	AP-BADGE1	Badge, Superline Pro 111 x 25mm (Not Shown)
--	AP-BADGE2	Badge, Sealey 70 x 25mm (Not Shown)

NOTE: It is our policy to continually improve products and as such we reserve the right to alter data, specifications and component parts without prior notice. There may be alternative versions of this product, please contact us should you require this information.

IMPORTANT: No liability is accepted for incorrect use of product. Spare parts must be fitted by a competent person

WARRANTY: Guarantee is 12 months from purchase date, proof of which will be required for any claim.

Sealey Group, Kempson Way, Suffolk Business Park, Bury St Edmunds, Suffolk. IP32 7AR



01284 757500



sales@sealey.co.uk



www.sealey.co.uk