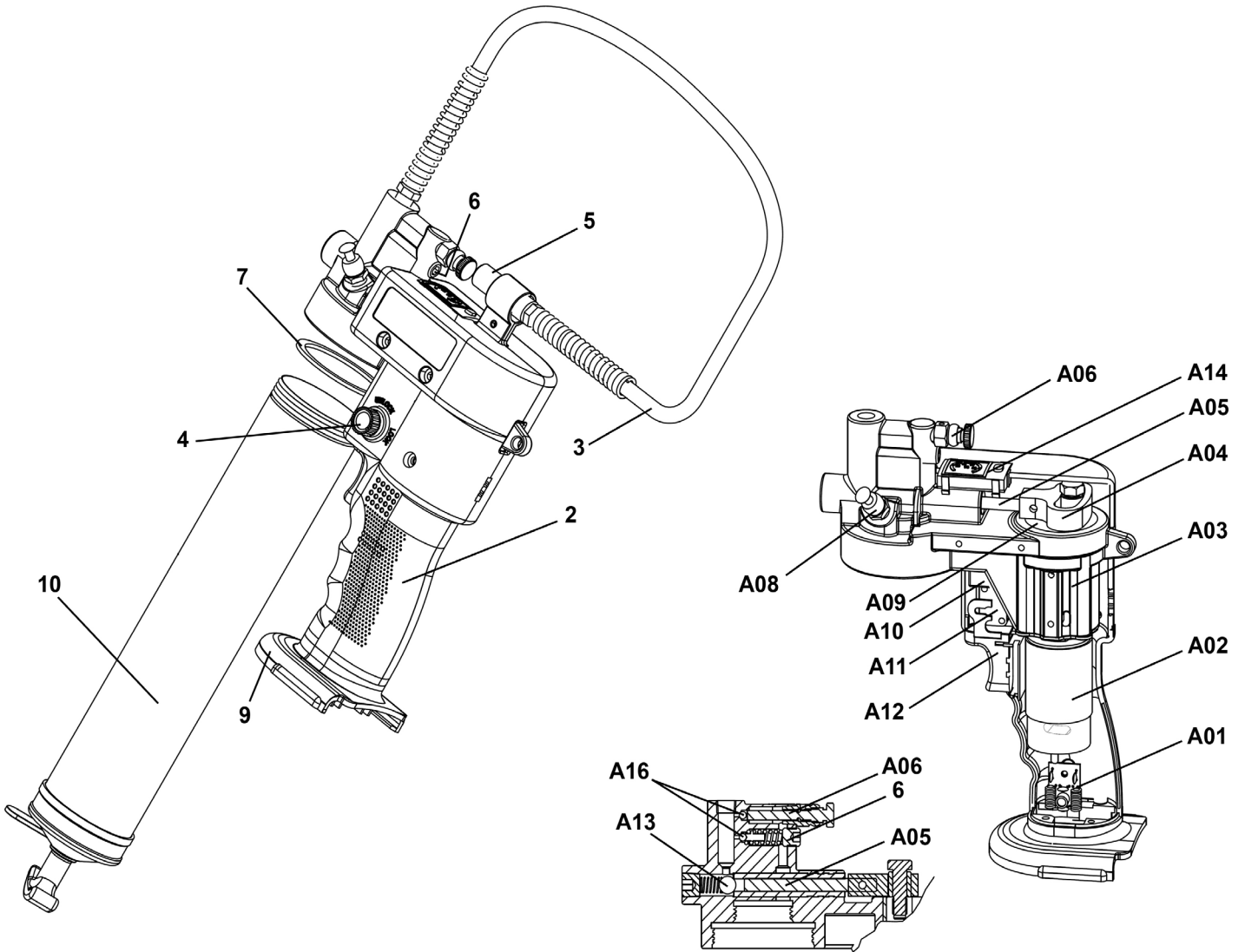




Parts Information:  
**Cordless Grease Gun 20V SV20 Series -  
 Body Only**  
**Model No: CP20VGRG**



Item	Part No.	Description
A01	CPG12VV2-A01	Interference Blanker
A02	CPG18V.A02	Motor Kit (Internal 18V)
A03	CPG18VV3-A03	Gearbox Assembly Kit
A04	CPG12VV2-A04	Yoke Block
A05	CPG12VV2-A05	Plunger
A06	CPG18VV3-A06	Pressure Relief Valve
--	CPG12VV2-A07	Filler Nipple ( <b>not shown</b> )
A08	CPG12VV2-A08	Vent Valve
A09	CPG12VV2-A09	Inside Yoke Block
A10	CPG12VV2-A10	Resettable Fuse Lt200 1.7X1.8
A11	CPG12VV2-A11	Micro Switch 16A/250V - 5E4 T105
A12	CPG12VV2-A12	Trigger
A13	CPG12VV2-A13	Check Valve Kit
A14	CPG18V.A14	Battery Capacity Display

Item	Part No.	Description
A15	CPG12VV2-A15	"D" Shape Gear For Motor
A16	SB-5.0	Steel Ball 5.0mm
2	CPG12VV2-02	Handle Assembly
3	CPG12VV2-03	Flexible Hose
4	CPG12VV2-04	Self-Locking Trigger
5	CPG12VV2-05	Coupler
6	CPG12VV2-06	Relief Valve
7	CPG12VV2-07	Gasket
--	CPG12VV2-08	Rubber Seal Bowl ( <b>not shown</b> )
9	CP20VGRG-09	Battery Fixed Device
10	CPG12VV2-10	Grease Tube Assembly
--	CPG12VV2-WB	Grease Tube Warmer ( <b>not shown</b> )
--	CPG12VV2-BMC	Blow Moulded Case ( <b>not shown</b> )
--	CPG18VV2-CA	PCB, Circuit Board, c/w Motor ( <b>not shown</b> )

**NOTE:** It is our policy to continually improve products and as such we reserve the right to alter data, specifications and component parts without prior notice. There may be alternative versions of this product, please contact us should you require this information.

**IMPORTANT:** No liability is accepted for incorrect use of product. Spare parts must be fitted by a competent person

**WARRANTY:** Guarantee is 12 months from purchase date, proof of which will be required for any claim.

Sealey Group, Kempson Way, Suffolk Business Park, Bury St Edmunds, Suffolk. IP32 7AR



01284 757500



sales@sealey.co.uk



www.sealey.co.uk