

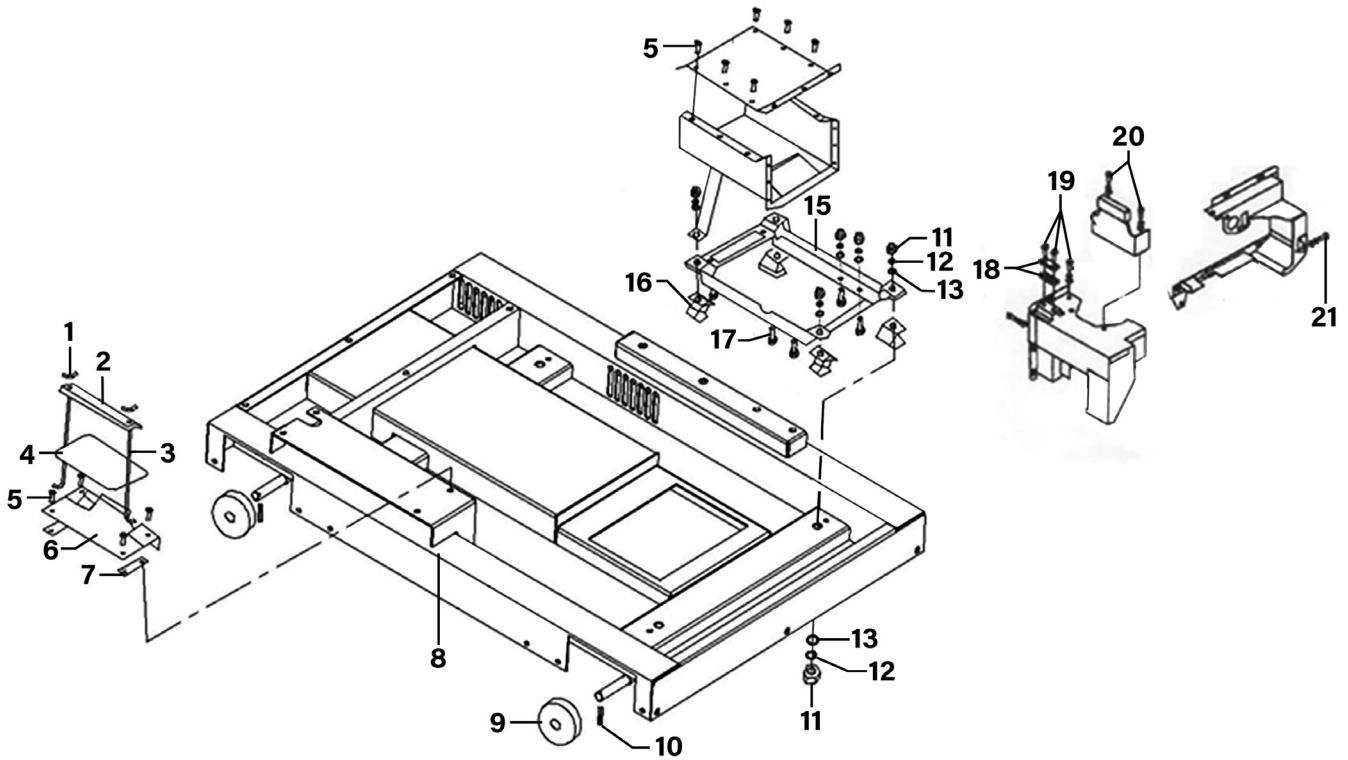
Item	Part No.	Description
1	DG5000-AA01	Alternator Assembly
2	DG5000-AA02	Front Cover for Motor
3	SFS830.S	Hex Head Flange Bolt M8 X 30 Zinc
4	DG5000-AA04	Screw M5x12
5	DG5000-AA05	Fan
6	DG5000-AA06	Rotor
7	DG5000-AA07	C-Clip
8	DG5000-AA08	Gasket
9	DG5000-AA09	Lock Bolt for Rotor
10	DG5000-AA10	Stator

Item	Part No.	Description
11	SN5.S	Steel Nut M5 Zinc
12	DG5000-AA12	Lock Bolt M5 for Stator
13	DG5000-AA13	Lock Bolt M6 for Front Cover
14	DG5000-AA14	Rear Cover for Motor
15	DG5000-AA15	Carbon Brush
16	DG5000-AA16	Screw M5x14
17	DG5000-AA17	Excitation AVR
18	DG5000-AA18	Screw M5x16
19	DG5000-AA19	Rectifier
20	DG5000-AA20	Air Cover for Motor

NOTE: It is our policy to continually improve products and as such we reserve the right to alter data, specifications and component parts without prior notice. There may be alternative versions of this product, please contact us should you require this information.

IMPORTANT: No liability is accepted for incorrect use of product. Spare parts must be fitted by a competent person

WARRANTY: Guarantee is 12 months from purchase date, proof of which will be required for any claim.



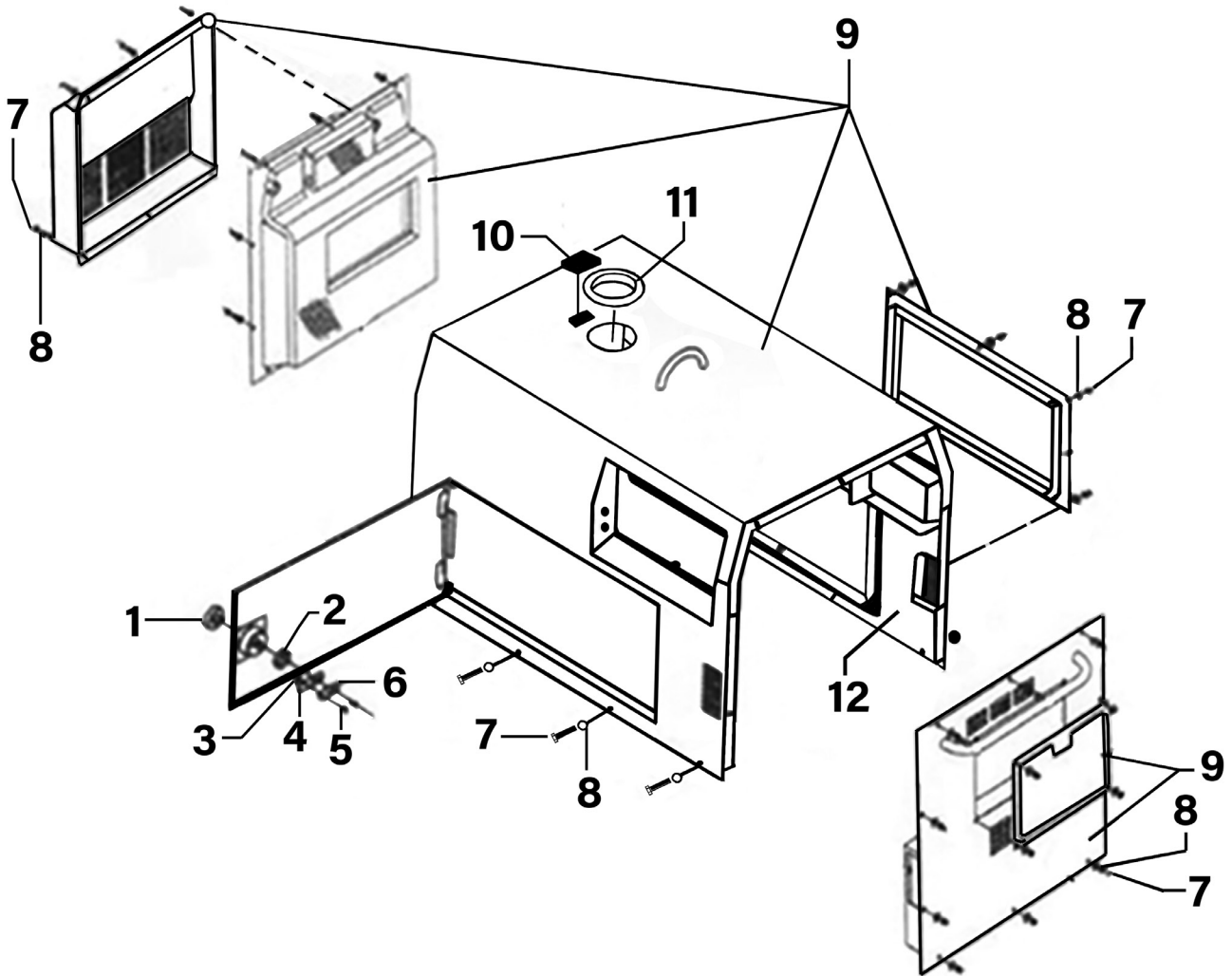
Item	Part No.	Description
1	SN6.SW	Wing Nut M6 Zinc
2	DG5000-CA02	Battery Pressure Plate
3	DG5000-CA03	Battery Mounting Plate
4	FWM6.S	Flat Washer M6 Zinc
5	SS616.S	Hex Head Set Screw M6 X 16 Zinc
6	DG5000-CA06	Battery Support Plate
7	DG5000-CA07	Battery Support Washer
8	DG5000-CA08	Chassis (Bottom)
9	DG5000-CA09	Chassis Wheel
10	DG5000-CA10	Cotter Pin

Item	Part No.	Description
11	SN10.S	Steel Nut M10 Zinc
12	SWM10.S	Spring Washer M10 Zinc
13	FWM10.S	Flat Washer M10 Zinc
15	DG5000-CA15	Housing Base
16	DG5000-CA16	Shock Absorber
17	SS1045.S	Hex Head Set Screw M10 X 45 Zinc
18	DG5000-CA18	Fuel Pipe Pressure Plate
19	MSP630.S	Machine Screw Pan Head Phillips M6 X 30mm
20	SS825.S	Hex Head Set Screw M8 X 25 Zinc
21	SS816.S	Hex Head Set Screw M8 X 16 Zinc

NOTE: It is our policy to continually improve products and as such we reserve the right to alter data, specifications and component parts without prior notice. There may be alternative versions of this product, please contact us should you require this information.

IMPORTANT: No liability is accepted for incorrect use of product. Spare parts must be fitted by a competent person

WARRANTY: Guarantee is 12 months from purchase date, proof of which will be required for any claim.



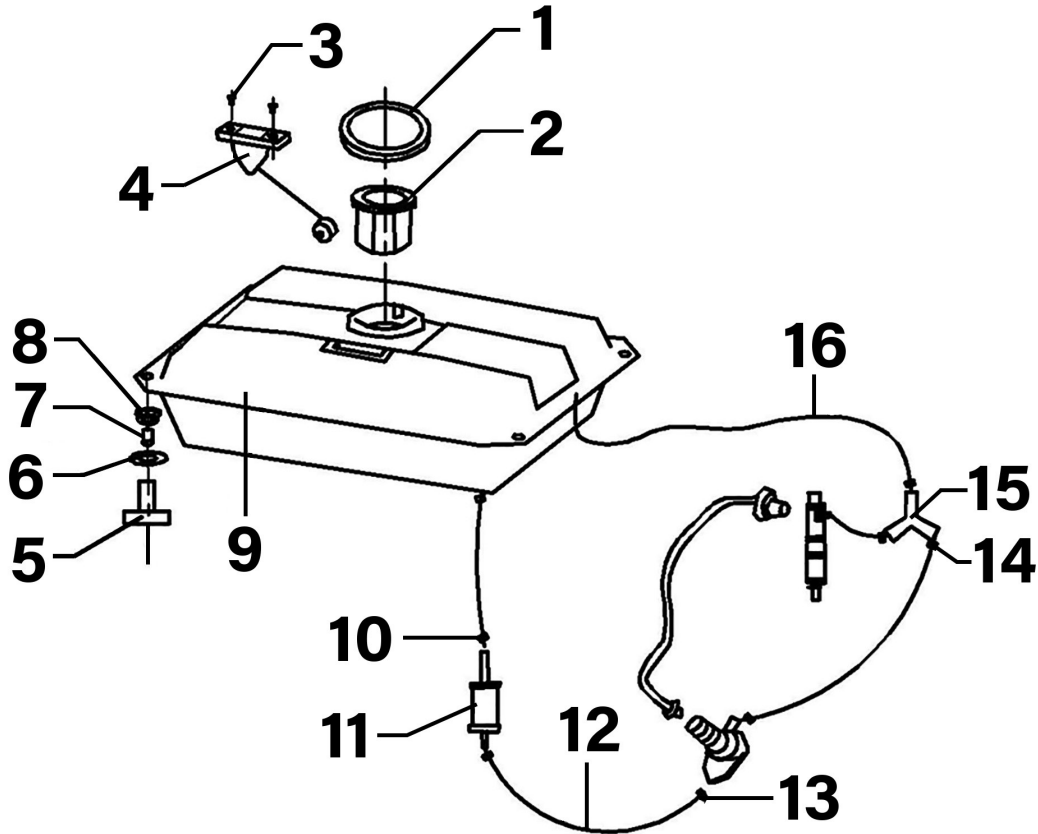
Item	Part No.	Description
1-3	DG5000-H01-H03	Door Lock Assembly
4	FWM4.S	Flat Washer M4
5	SN5.S	Steel Nut M5 Zinc
6	MSP512.S	Machine Screw Pan Head Phillips M5 X 12mm
7	MSP618.S	Machine Screw Pan Head Phillips M6 x 18mm

Item	Part No.	Description
8	FWM6.S	Flat Washer M6 Zinc
9	DG5000-H09	Housing Complete
10	DG5000-H10	Window Mount Cover
11	DG5000-H11	Fuel Tank Vent Cushion
12	DG5000-H12	Protection Foam

NOTE: It is our policy to continually improve products and as such we reserve the right to alter data, specifications and component parts without prior notice. There may be alternative versions of this product, please contact us should you require this information.

IMPORTANT: No liability is accepted for incorrect use of product. Spare parts must be fitted by a competent person

WARRANTY: Guarantee is 12 months from purchase date, proof of which will be required for any claim.



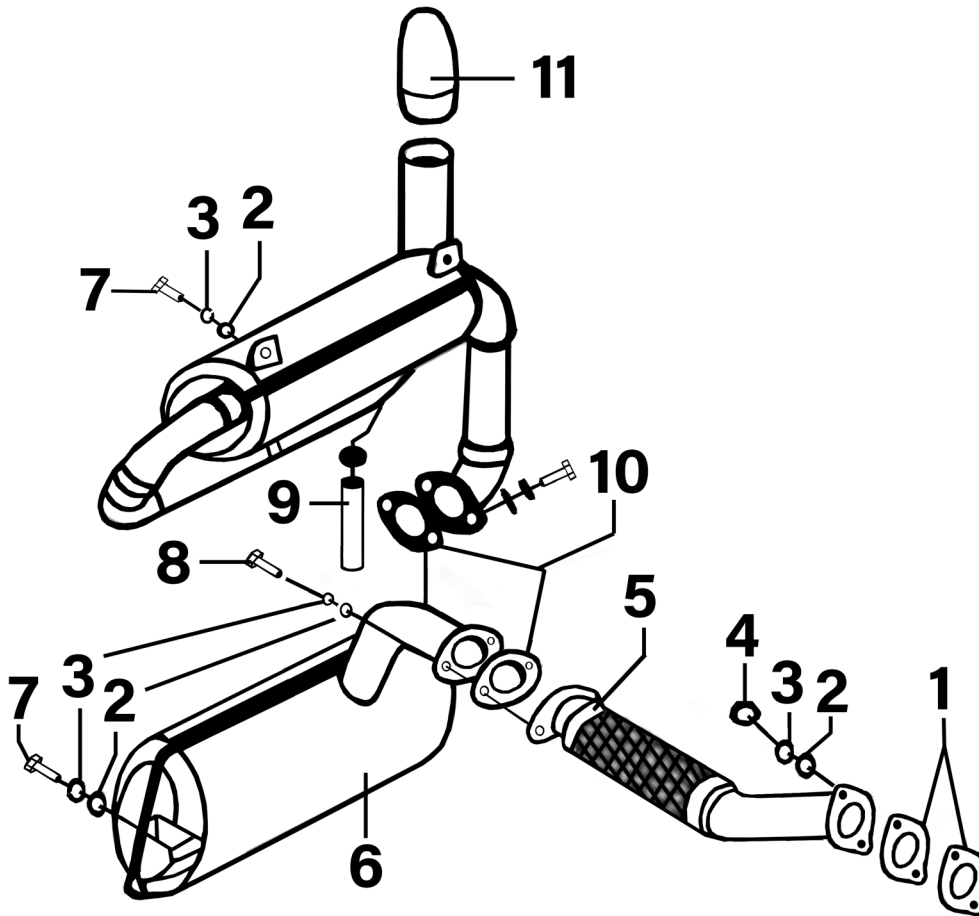
Item	Part No.	Description
1	DG5000-FS01	Fuel Tank Cap
2	DG5000-FS02	Fuel Filter
3	MSP510.S	Machine Screw Pan Head Phillips M5 x10mm
4	DG5000-FS04	Oil Level Indicator
5	MSP622.SB	Machine Screw Pan Head Phillips M6 x 22mm Black
6	FWM6.S	Flat Washer M6 Zinc
7	DG5000-FS07	Cover
8	DG5000-FS08	Cushion

Item	Part No.	Description
9	DG5000-FS09	Fuel Tank
10	DG5000-FS10	C-Clip
11	DG5000-FS11	Fuel Filter
12	DG5000-FS12	Fuel Inlet Pipe
13	DG5000-FS13	C-Clip
14	DG5000-FS14	C-Clip
15	DG5000-FS15	Fuel Pipe Connector
16	DG5000-FS16	Fuel Overload Pipe

NOTE: It is our policy to continually improve products and as such we reserve the right to alter data, specifications and component parts without prior notice. There may be alternative versions of this product, please contact us should you require this information.

IMPORTANT: No liability is accepted for incorrect use of product. Spare parts must be fitted by a competent person

WARRANTY: Guarantee is 12 months from purchase date, proof of which will be required for any claim.



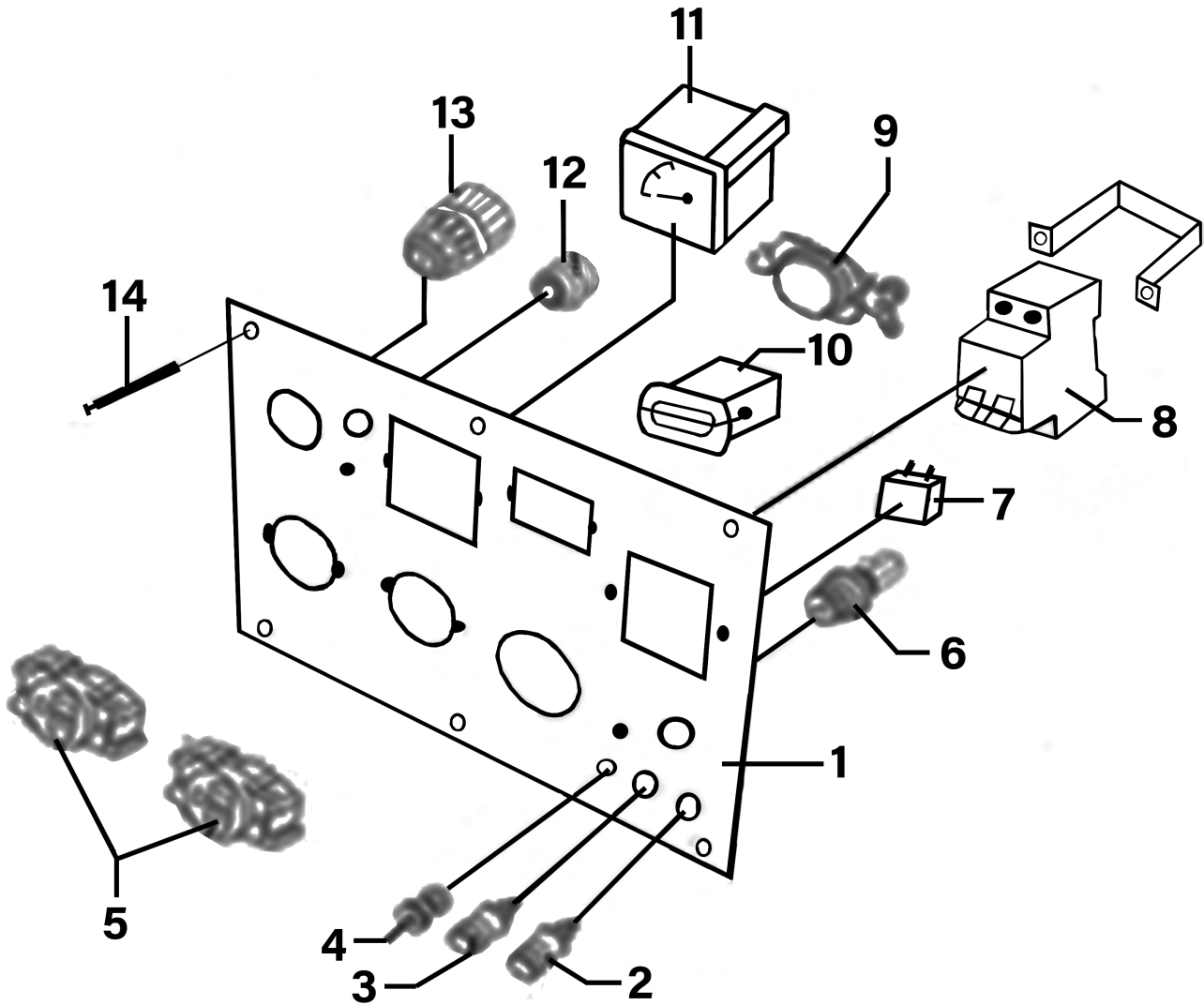
Item	Part No.	Description
1	DG5000-MA01	Muffler Gasket (A)
2	FWM8.S	Flat Washer M8 Zinc
3	SWM8.S	Spring Washer M8 Zinc
4	SN8.S	Steel Nut M8 Zinc
5	DG5000-MA05	Exhaust Hose Assembly
6	DG5000-MA06	Muffler Assembly

Item	Part No.	Description
7	MSP816.S	Machine Screw Pan Head Phillips M8 x 16mm
8	MSP825.S	Machine Screw Pan Head Phillips M8 X 25mm
9	DG5000-MA09	Muffler Outlet Hose
10	DG5000-MA10	Muffler Gasket (B)
11	DG5000-MA11	Outer Muffler Hood

NOTE: It is our policy to continually improve products and as such we reserve the right to alter data, specifications and component parts without prior notice. There may be alternative versions of this product, please contact us should you require this information.

IMPORTANT: No liability is accepted for incorrect use of product. Spare parts must be fitted by a competent person

WARRANTY: Guarantee is 12 months from purchase date, proof of which will be required for any claim.



Item	Part No.	Description
1	DG5000-EP01	Control Panel Plate
2	DG5000-EP02	Wire Holder (Positive)
3	DG5000-EP03	Wire Holder (Negative)
4	DG5000-EP04	Grounded Bolt (for Earth Strap)
5	DG5000-EP05A	Power Socket 32A 230V
5	DG5000-EP05B	Power Socket 32A 110V
5	DG5000-EP05C	Power Socket 16A 110V
6	DG5000-EP06	Plug (On/Off)

Item	Part No.	Description
7	DG5000-EP07	Fuse Assembly
8	DG5000-EP08	Circuit Breaker
9	DG5000-EP09	Relay
10	DG5000-EP10	Hour Meter
11	DG5000-EP11	Voltage Meter
12	DG5000-EP12	Oil Warning Lamp
13	DG5000-EP13	Starter Switch
14	DG5000-EP14	Bolt for Control Panel Plate

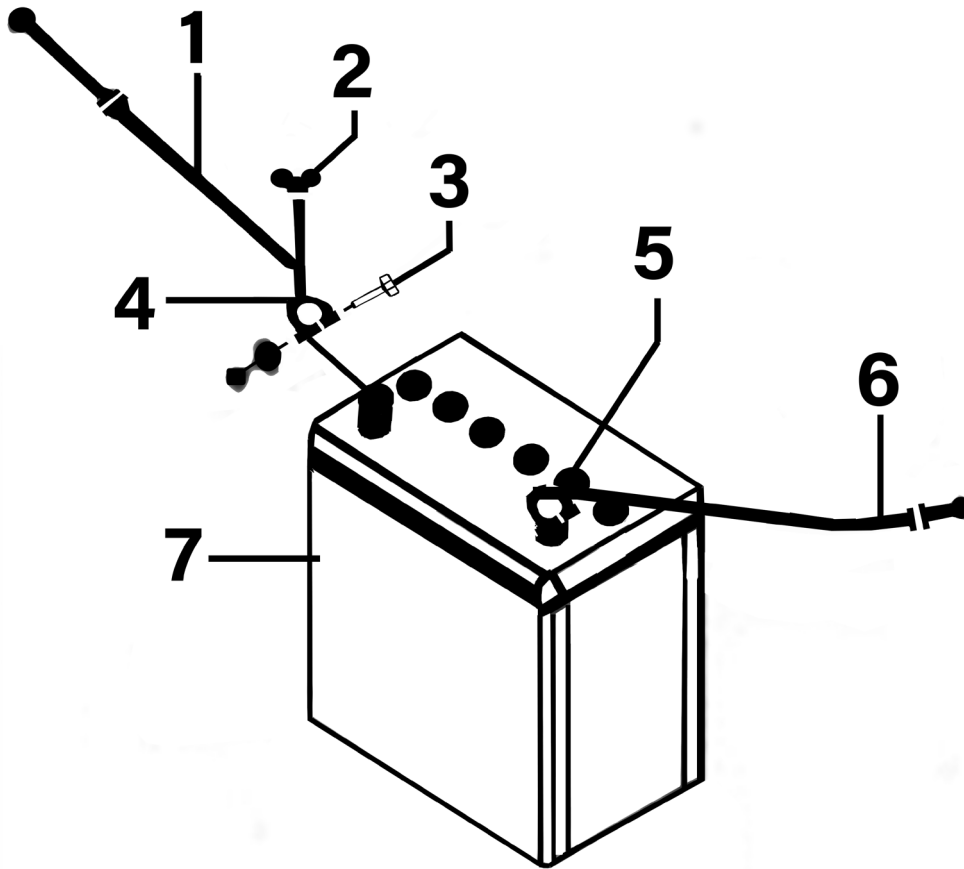
NOTE: It is our policy to continually improve products and as such we reserve the right to alter data, specifications and component parts without prior notice. There may be alternative versions of this product, please contact us should you require this information.

IMPORTANT: No liability is accepted for incorrect use of product. Spare parts must be fitted by a competent person

WARRANTY: Guarantee is 12 months from purchase date, proof of which will be required for any claim.



Parts Information:
Diesel Generator - 4-Stroke Engine 5000W
110/230V
Model No: DG5000



Item	Part No.	Description
1	DG5000-B01	Battery Positive Wire
2	SN6.SW	Wing Nut M6 Zinc
3	SS625.S	Hex Head Set Screw M6 X 25 Zinc
4	DG5000-B04	Battery Positive Wire Clip
5	DG5000-B05	Battery Negative Wire Clip

Item	Part No.	Description
6	DG5000-B06	Battery Wire Terminal
7	DG5000-B07	Battery
--	DG5000-E	Diesel Engine (Not Shown)

NOTE: It is our policy to continually improve products and as such we reserve the right to alter data, specifications and component parts without prior notice. There may be alternative versions of this product, please contact us should you require this information.

IMPORTANT: No liability is accepted for incorrect use of product. Spare parts must be fitted by a competent person

WARRANTY: Guarantee is 12 months from purchase date, proof of which will be required for any claim.

Sealey Group, Kempson Way, Suffolk Business Park, Bury St Edmunds, Suffolk. IP32 7AR



01284 757500



sales@sealey.co.uk



www.sealey.co.uk