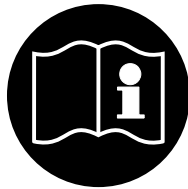
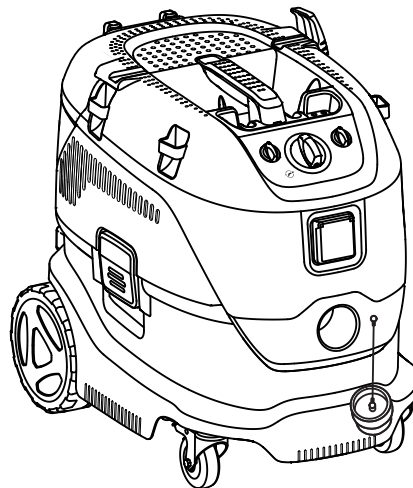
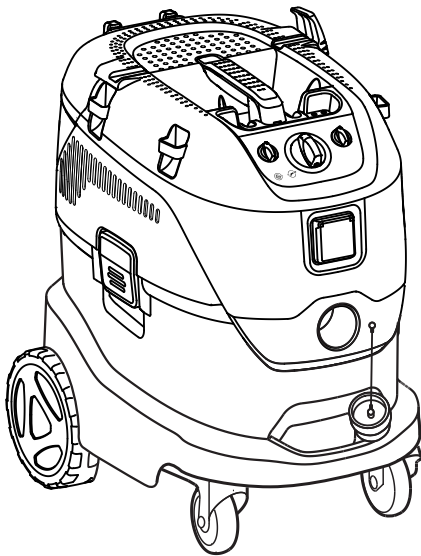


# FLEX



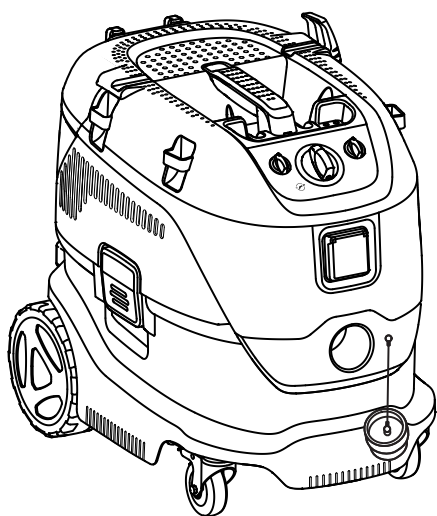
**VCE 33 M AC**  
**VCE 44 M AC**  
**VCE 44 M AC Air**  
**VCE 44 H AC**



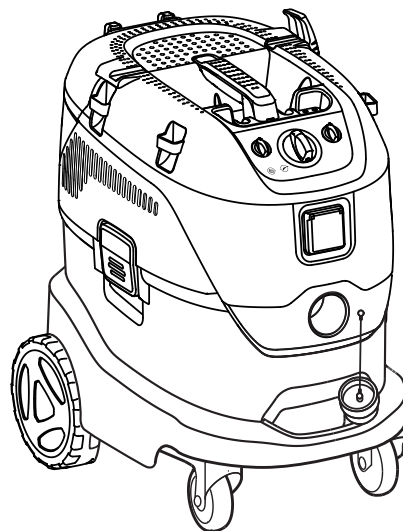
**Originalbetriebsanleitung**  
**Original Operating Instructions**  
**Notice d'utilisation d'origine**  
**Oorspronkelijke Gebruiksaanwijzing**  
**Istruzioni originali**  
**Original driftsinstruks**  
**Bruksanvisning i original**  
**Original brugsanvisning**  
**Alkuperäiset ohjeet**  
**Manual original**  
**Instruções de operação original**  
**Πρωτότυπο οδηγιών χρήσης**  
**Orijinal talimatlar**

**Izvirna navodila**  
**Izvorni upute**  
**Pôvodný návod na použitie**  
**Původní návod k používání**  
**Instrukcja oryginalna**  
**Eredeti használati utasítás**  
**Original instrucțiuni**  
**Оригинална инструкция**  
**Оригинальные инструкции**  
**Algupärane kasutusjuhend**  
**Instrukcijas oriģinālvalodā**  
**Originali instrukcija**

VCE 33 M AC



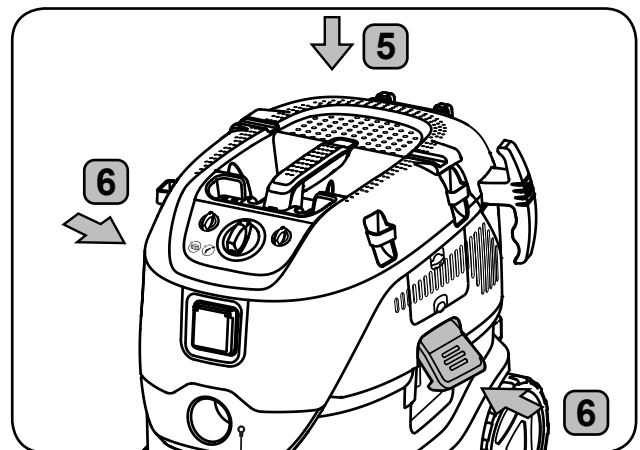
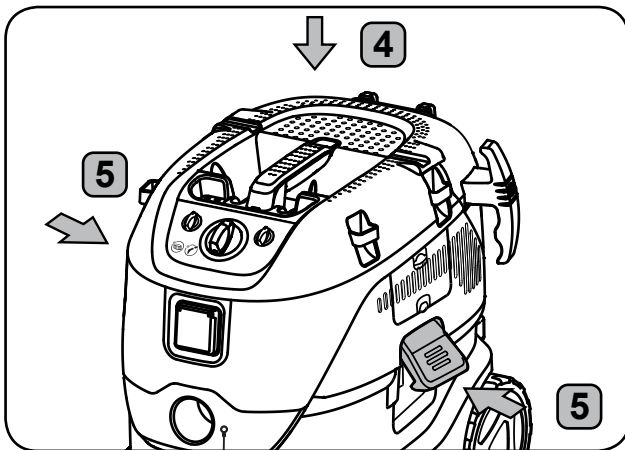
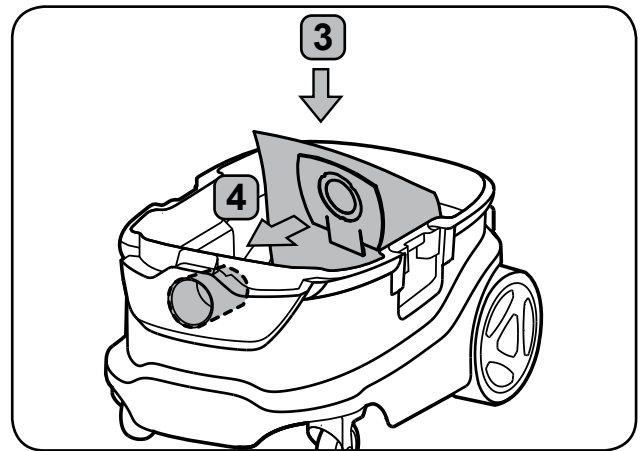
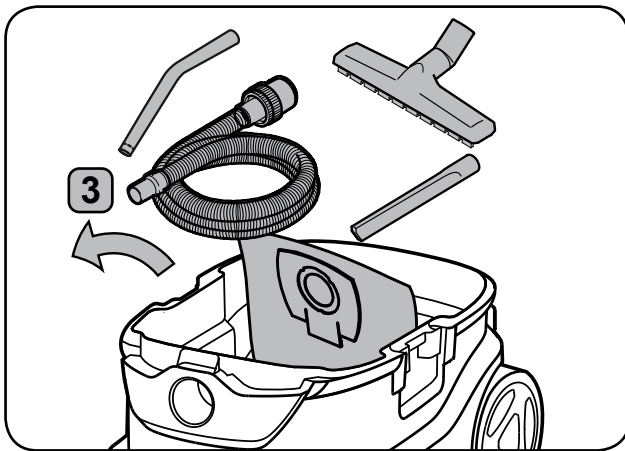
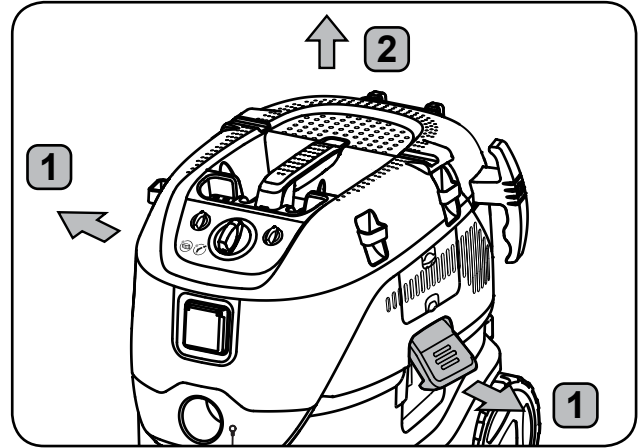
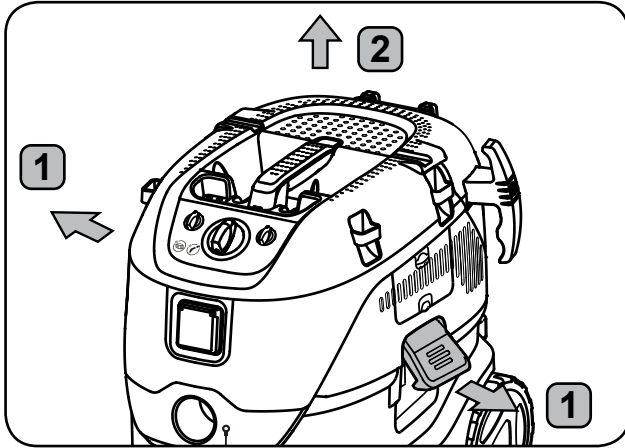
VCE 44 M AC / VCE 44 M AC Air / VCE 44 H AC



1A)



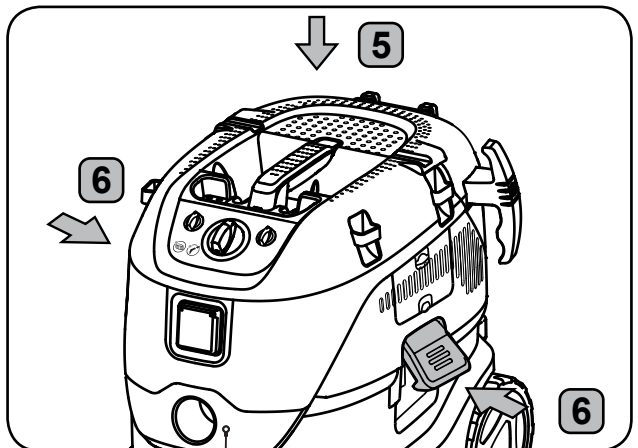
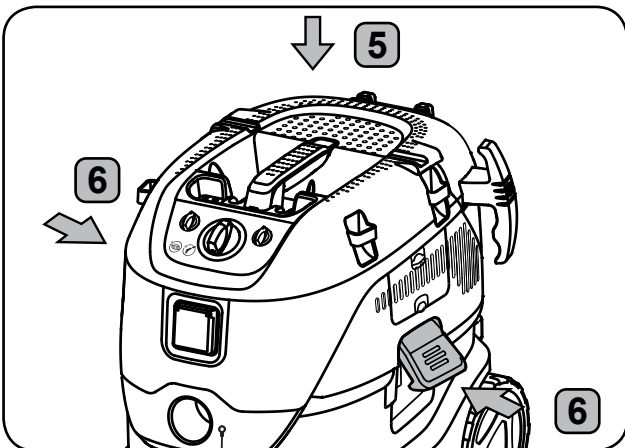
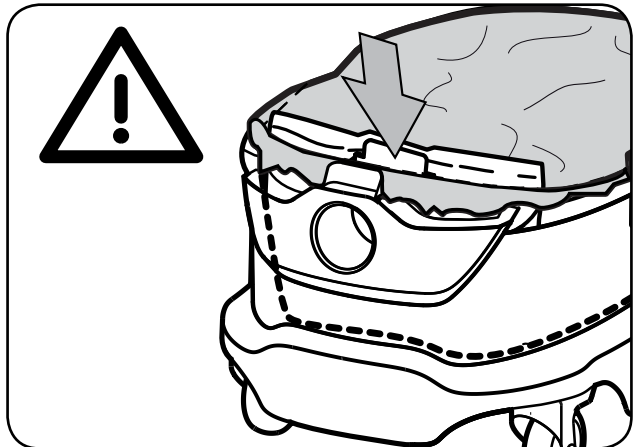
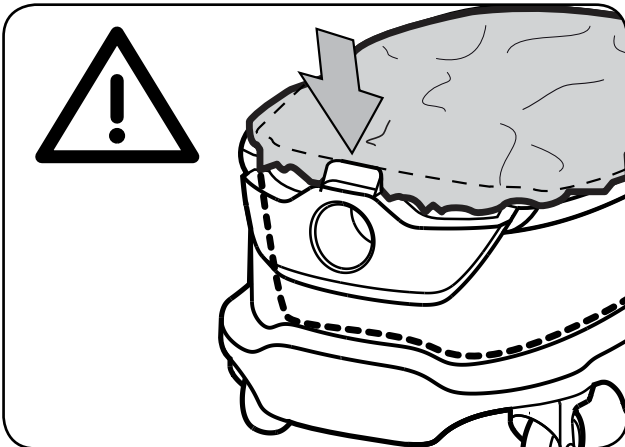
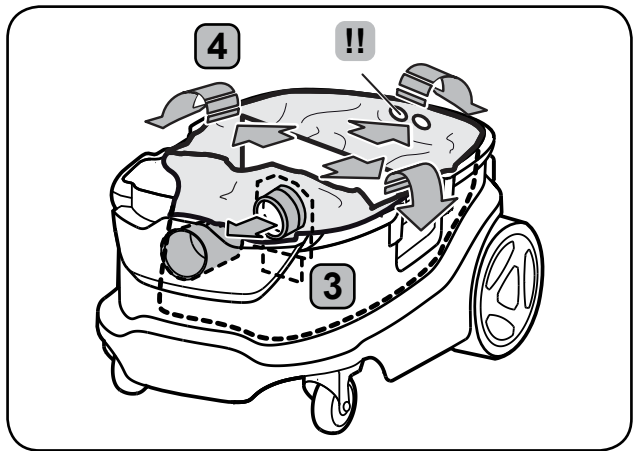
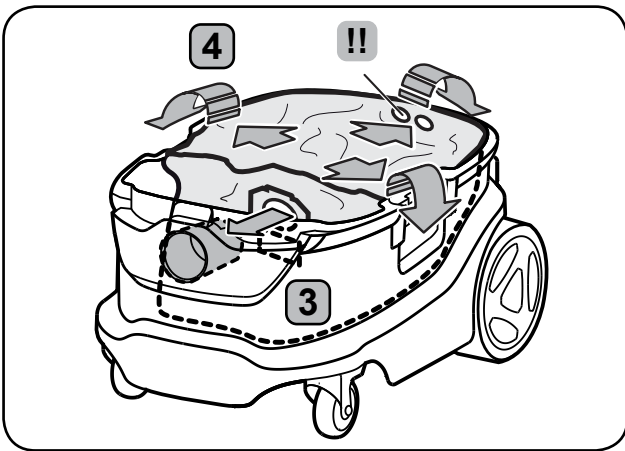
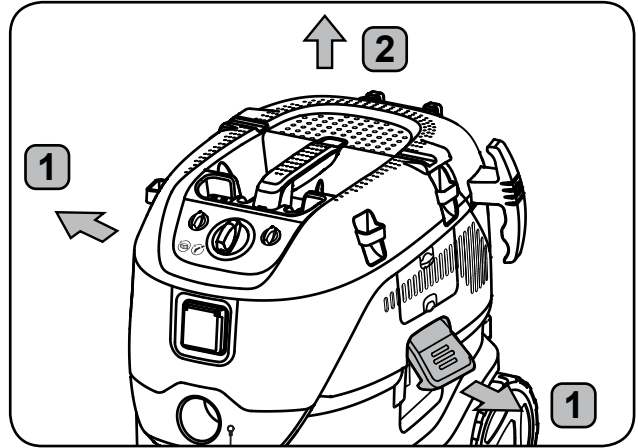
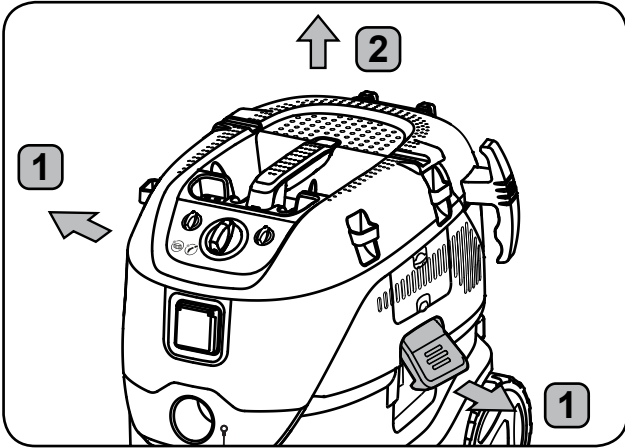
2A



3A)

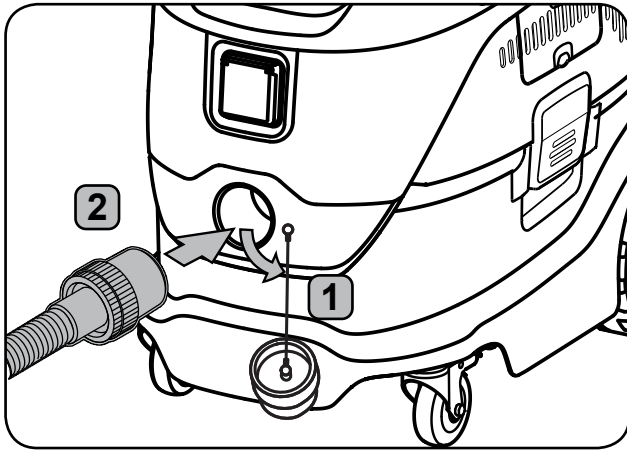


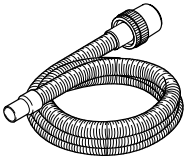

4A

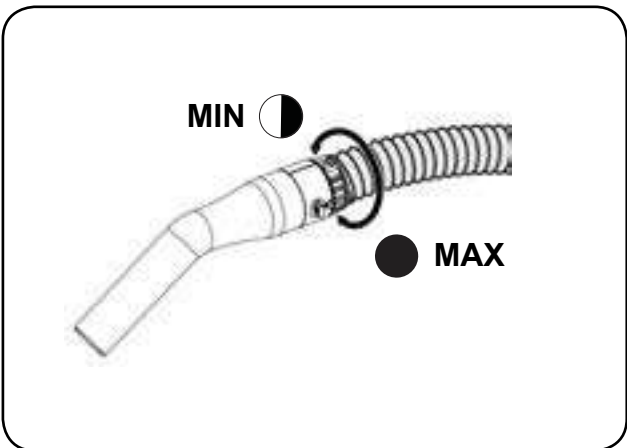
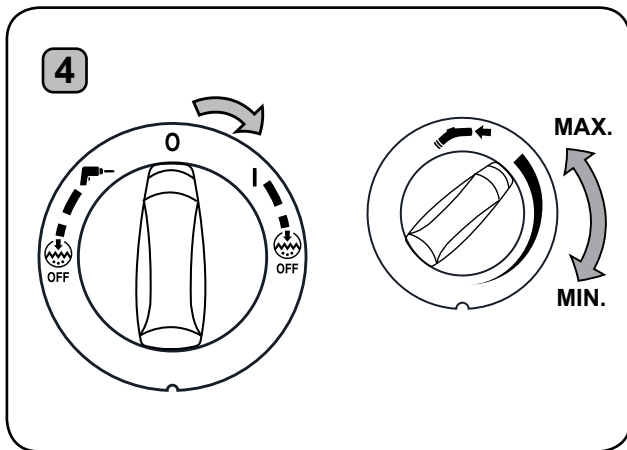




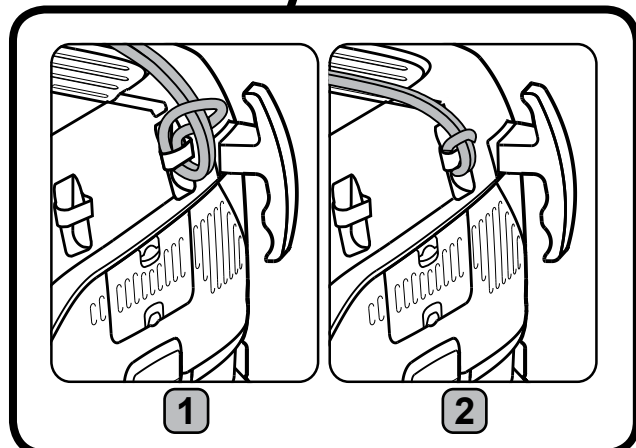
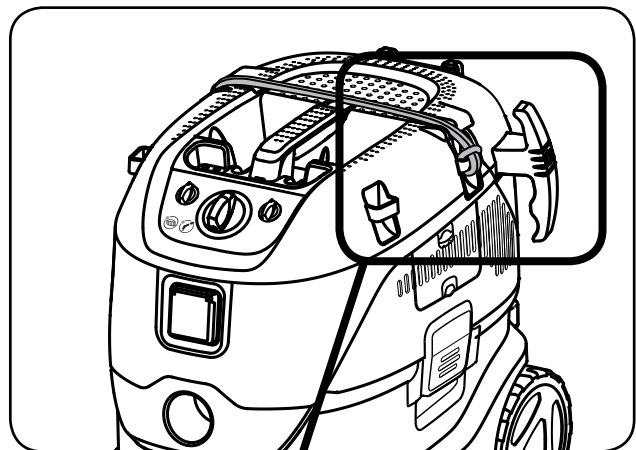
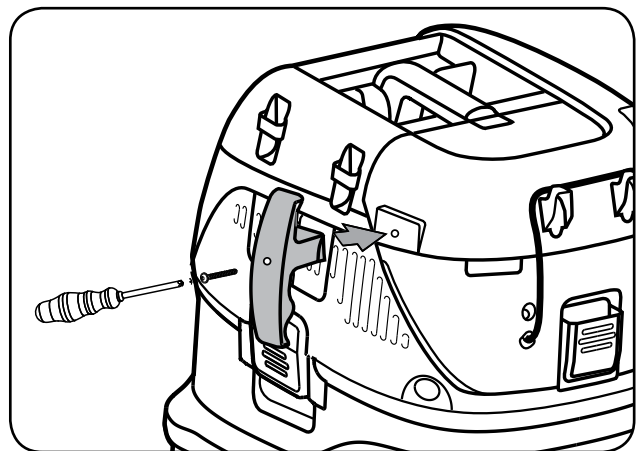
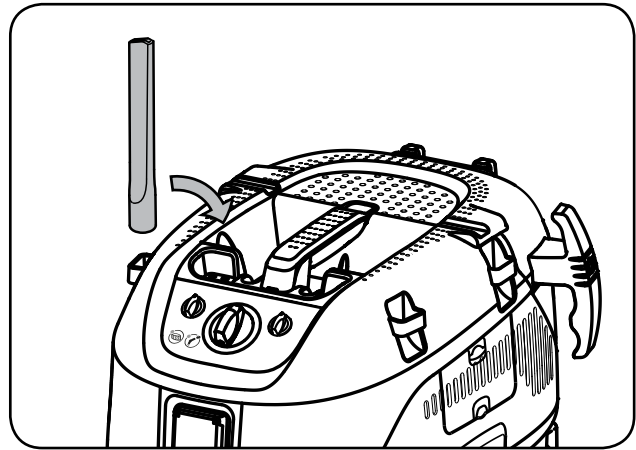
5A



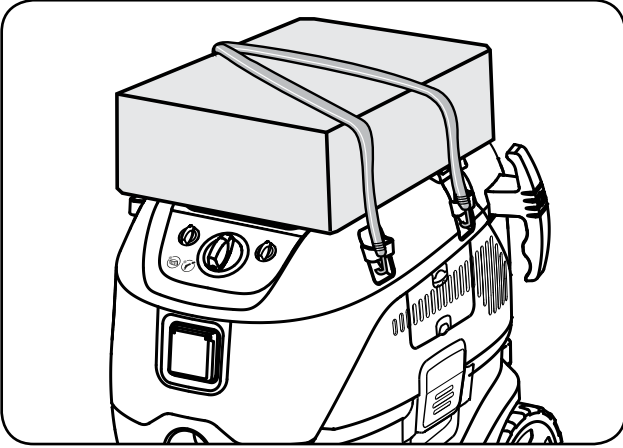
	<b>3</b> 
ø21	ø21
ø27	ø27
ø32	ø32
ø36	ø36
ø38	ø38

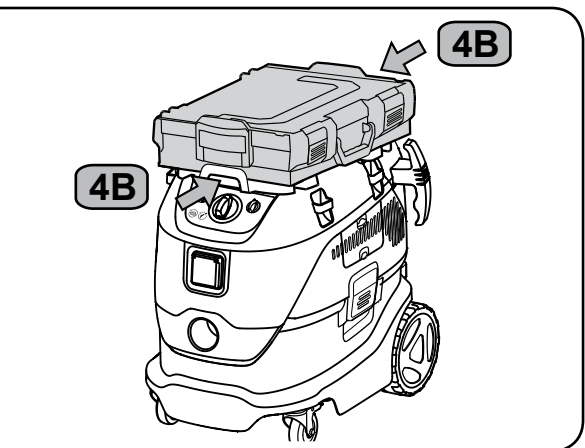
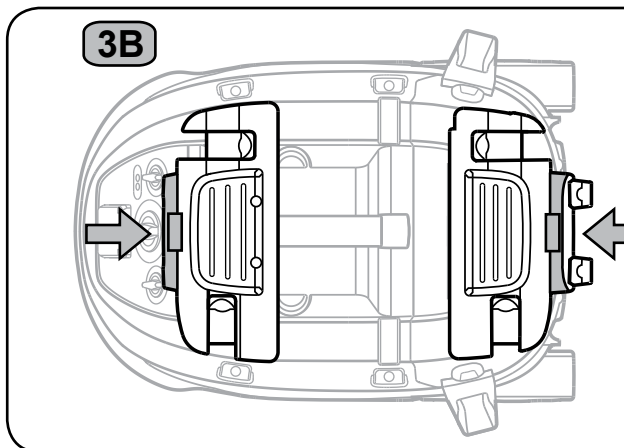
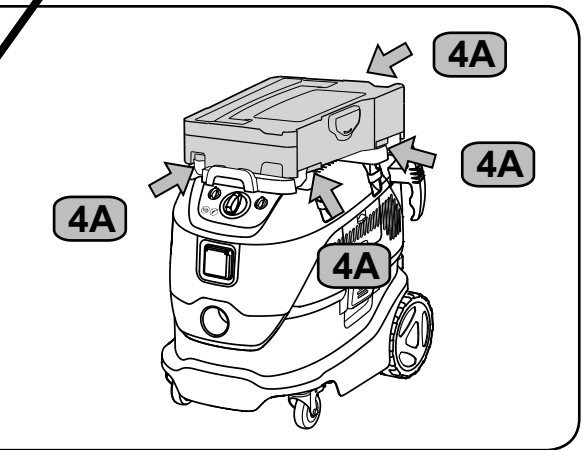
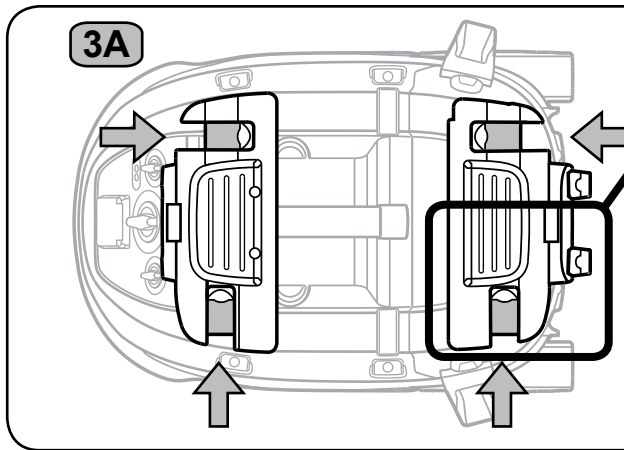
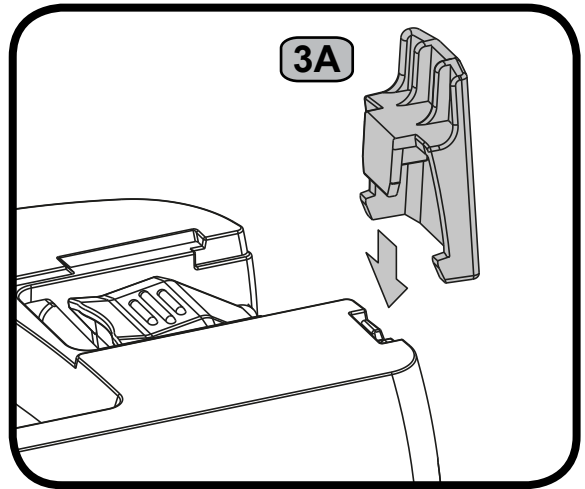
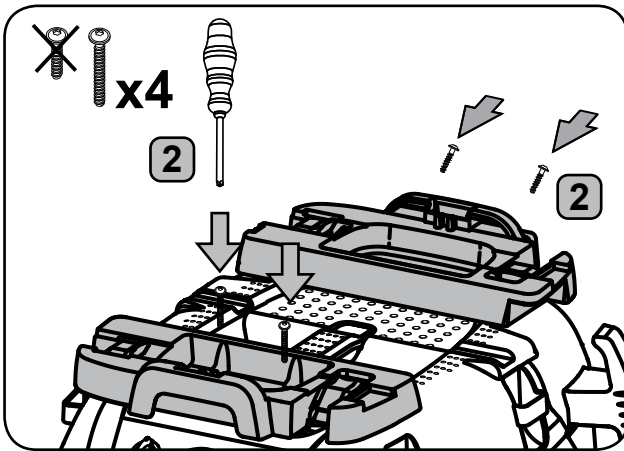
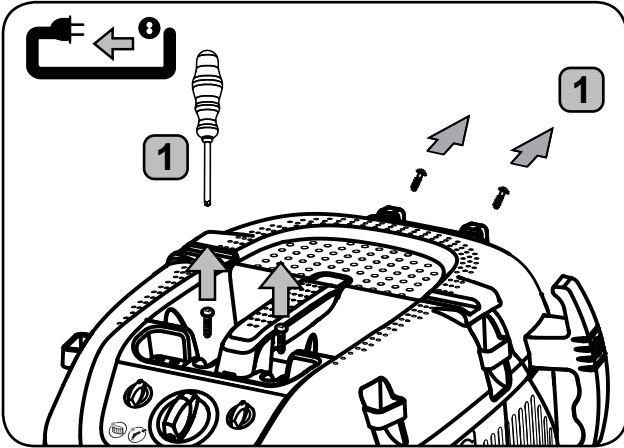


6A<sup>1)</sup>

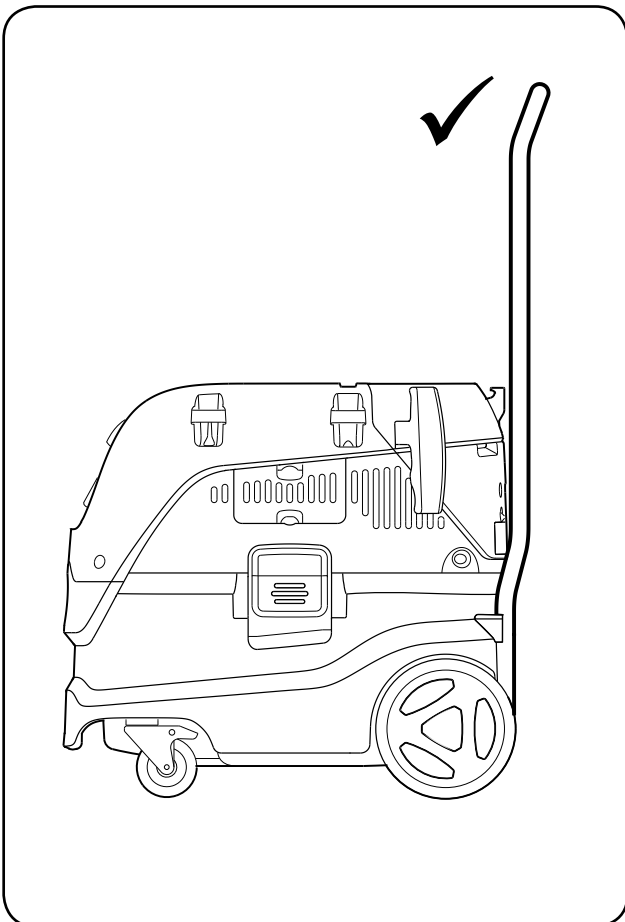
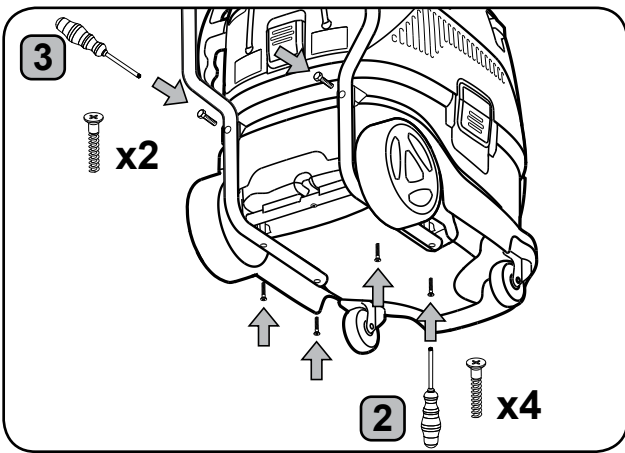
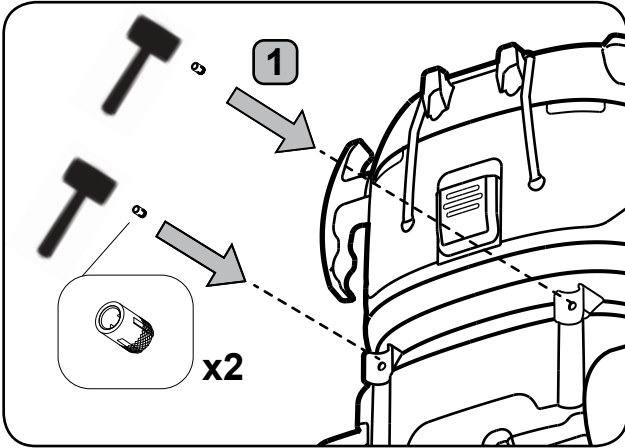


6A<sup>1)</sup>

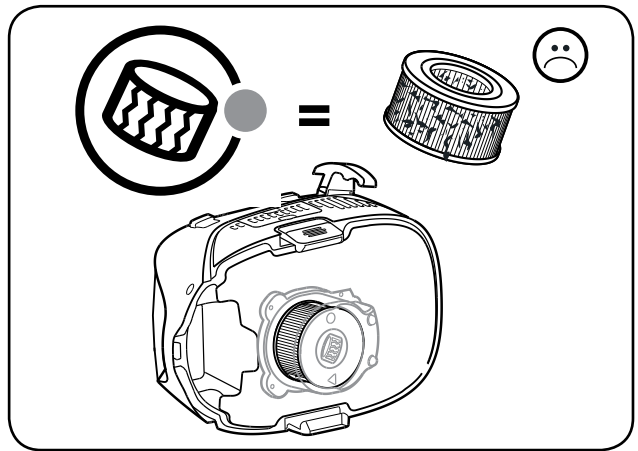
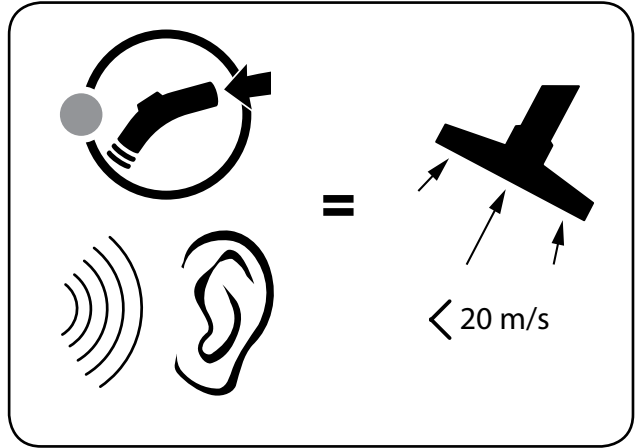




8A)

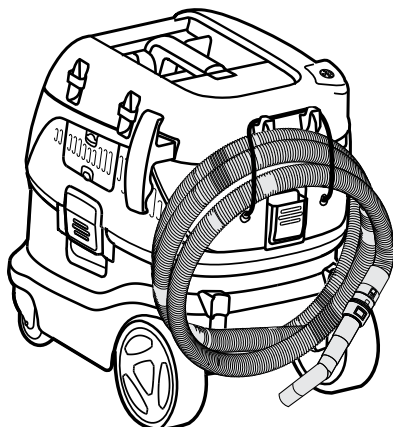
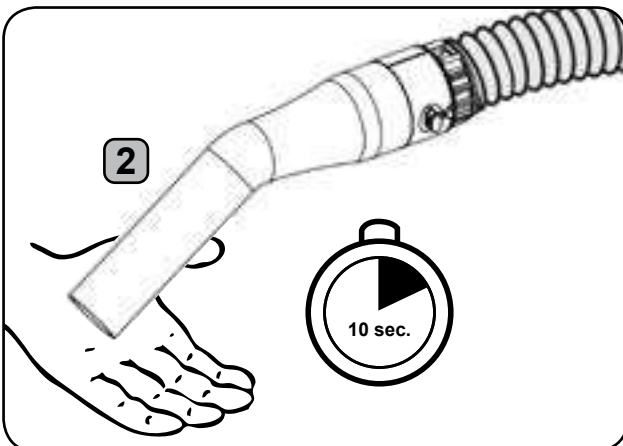
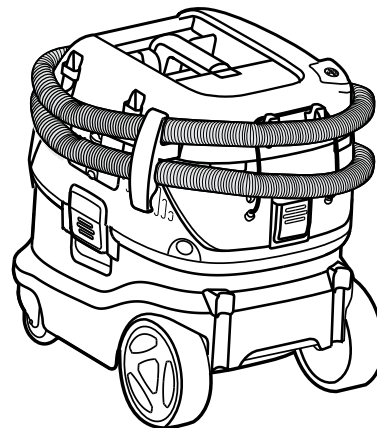
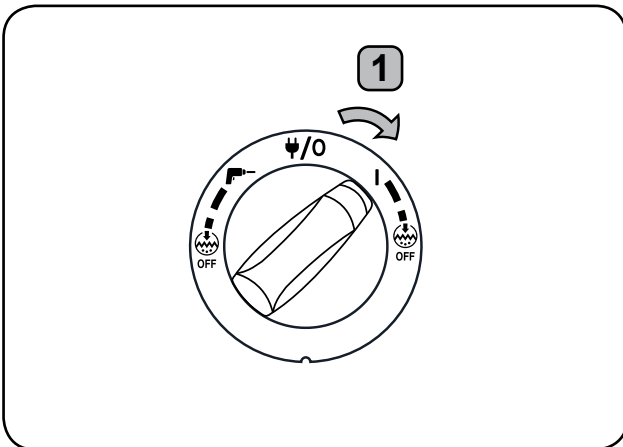
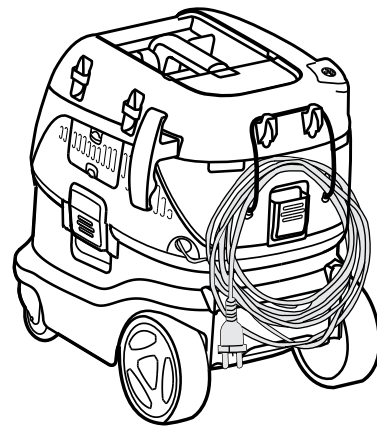
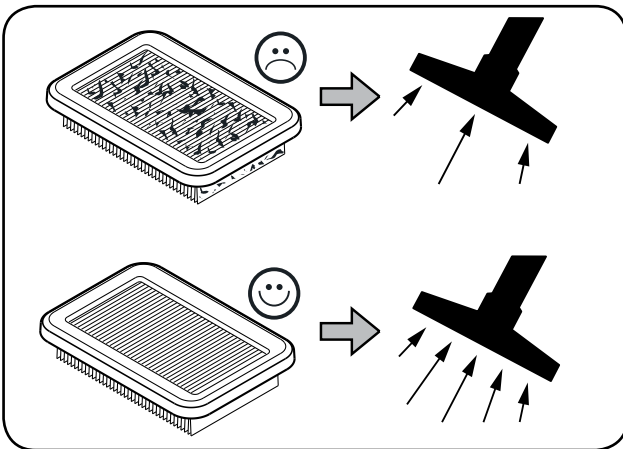
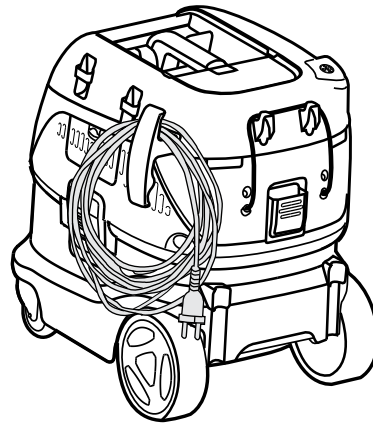


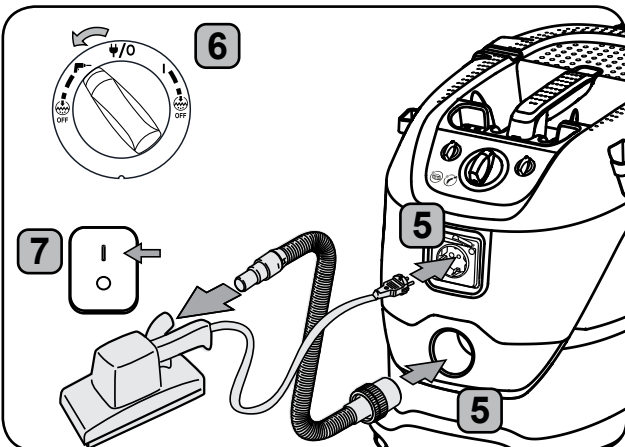
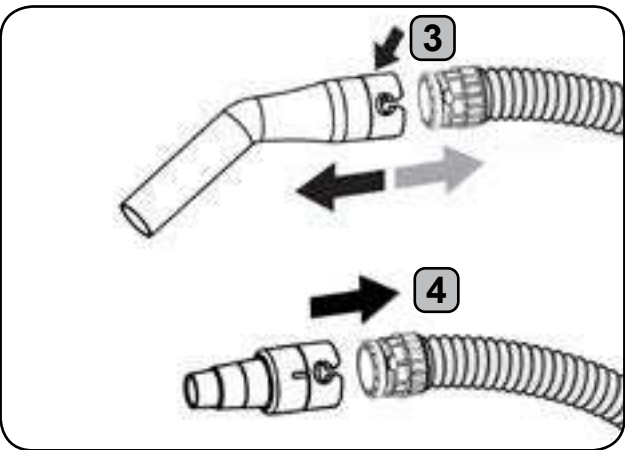
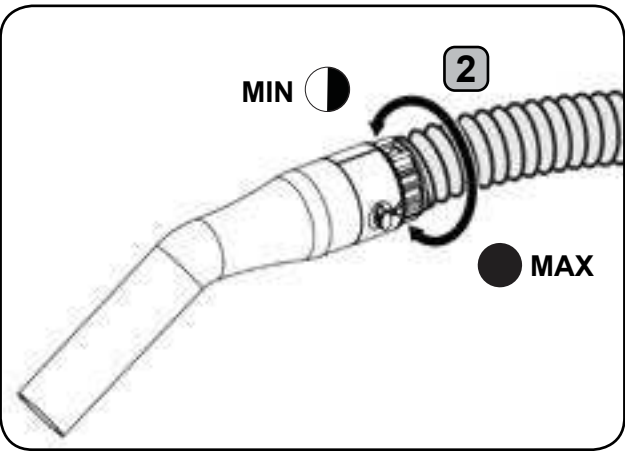
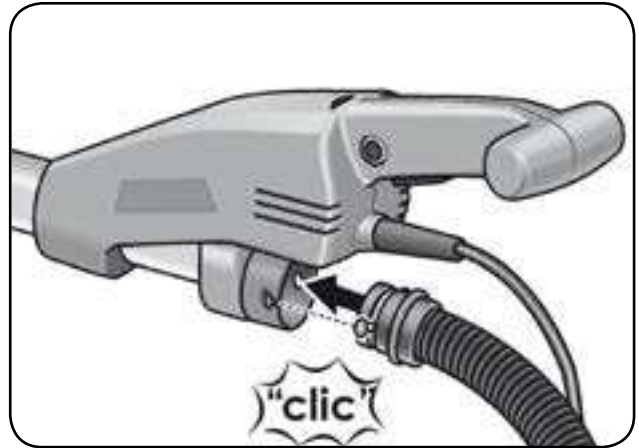
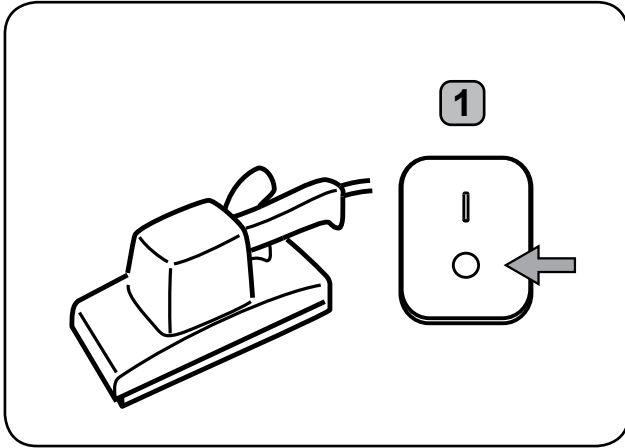
1B)





# AutoClean



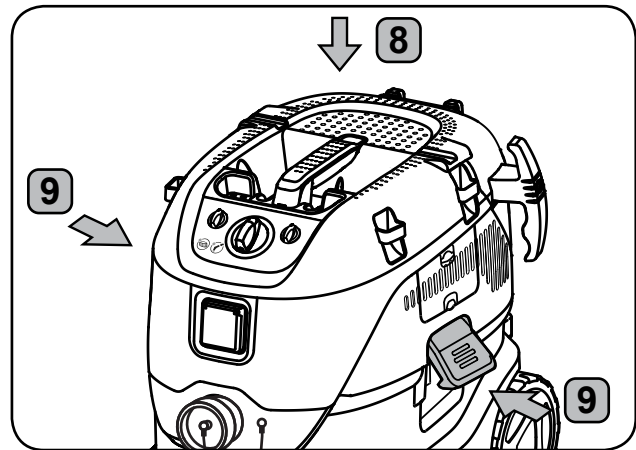
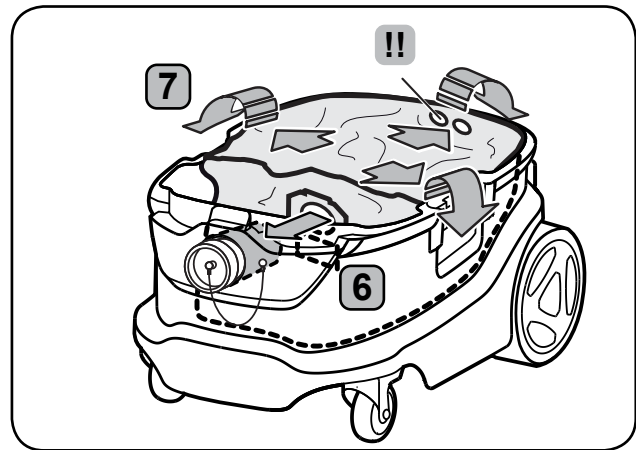
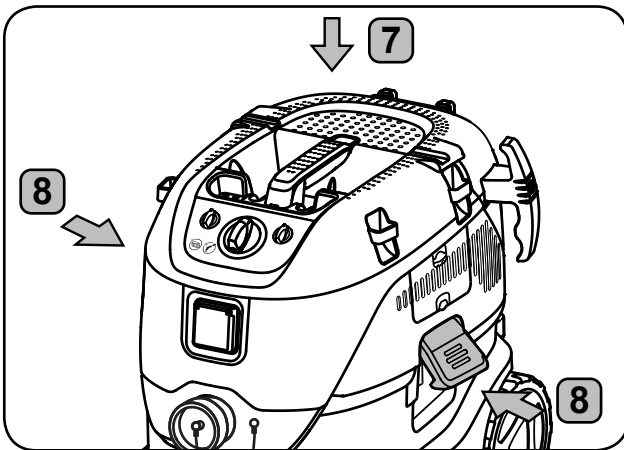
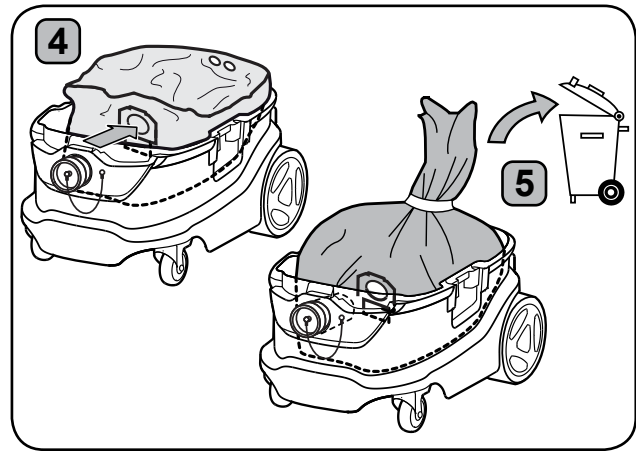
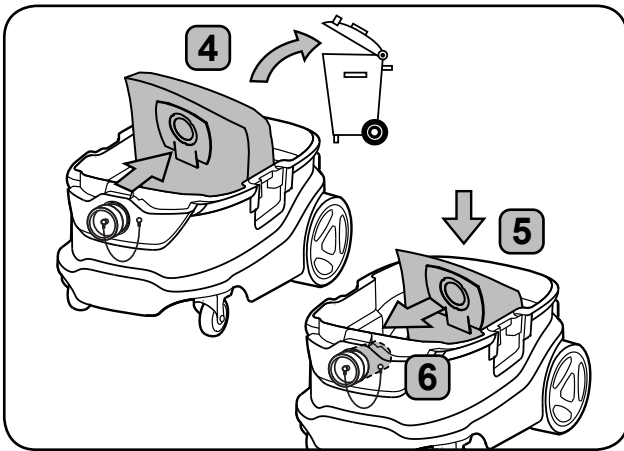
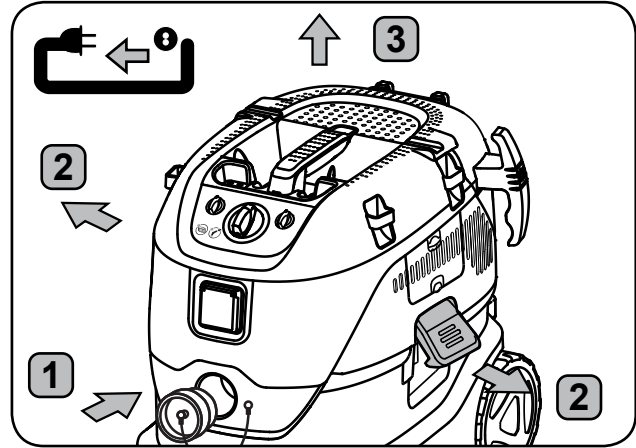
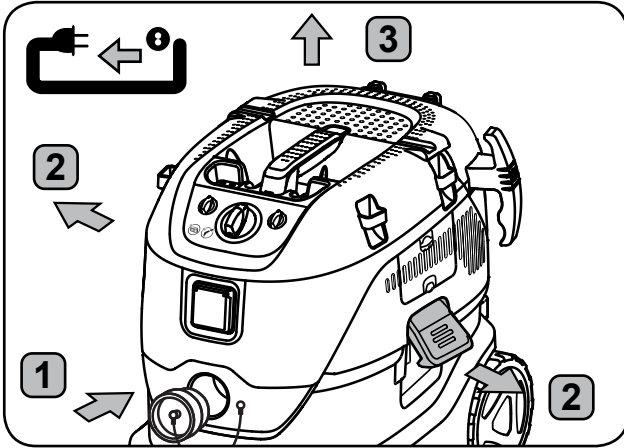




1D



2D)



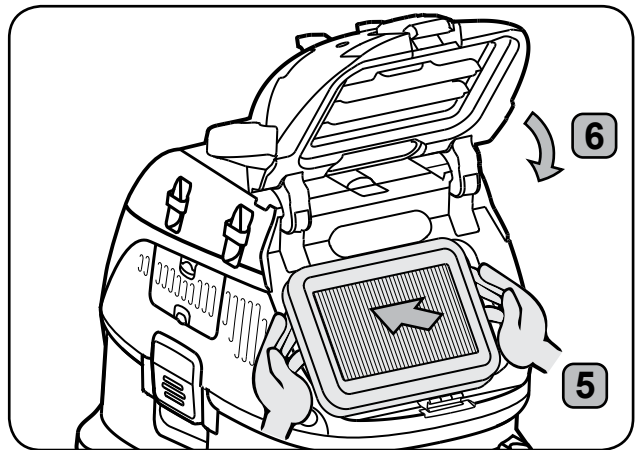
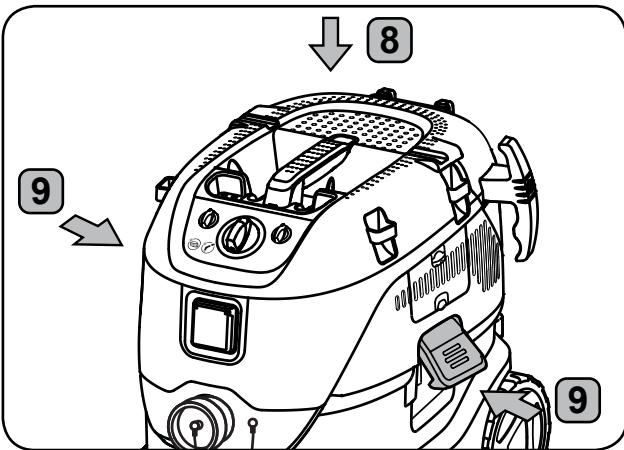
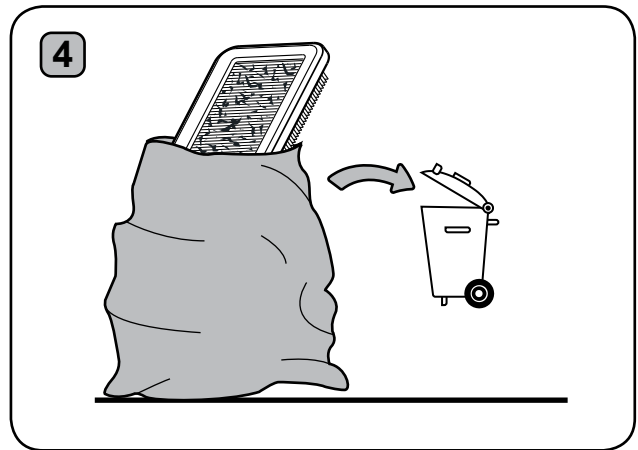
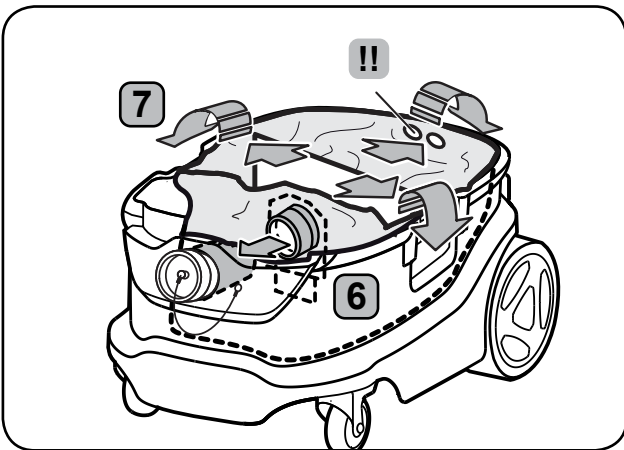
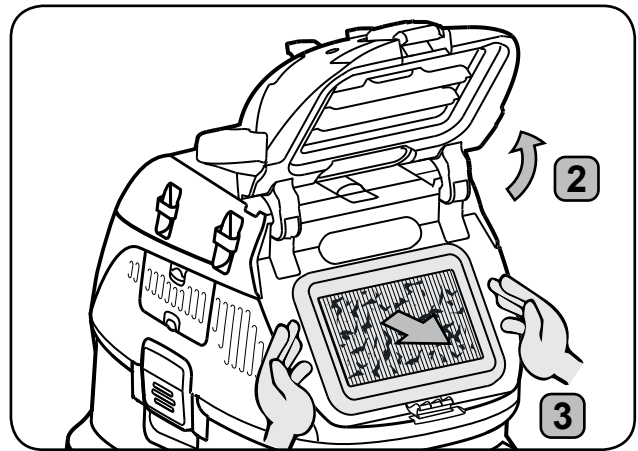
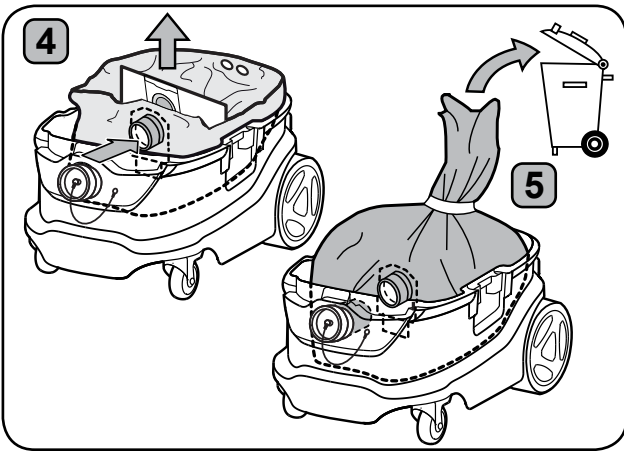
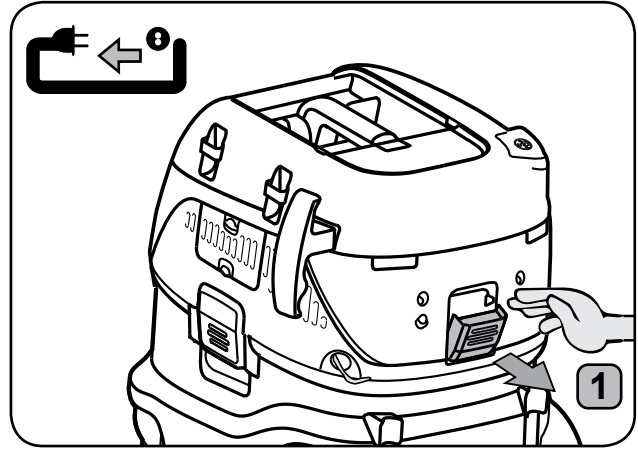
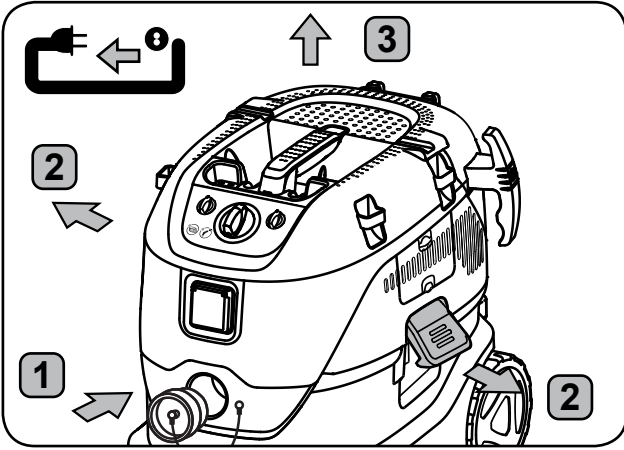
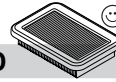




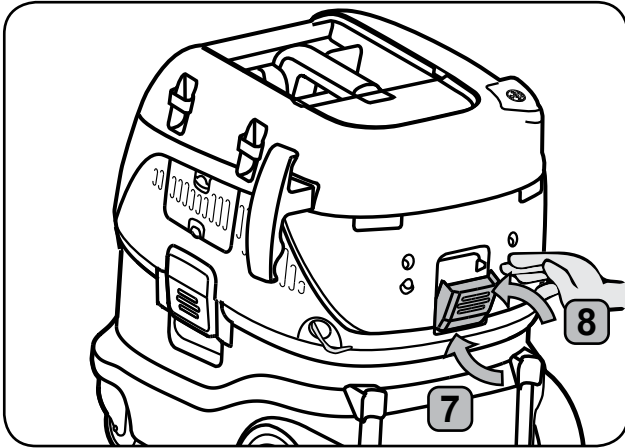
3D



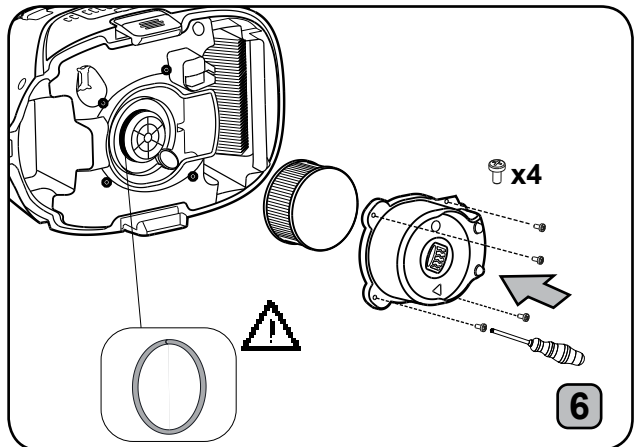
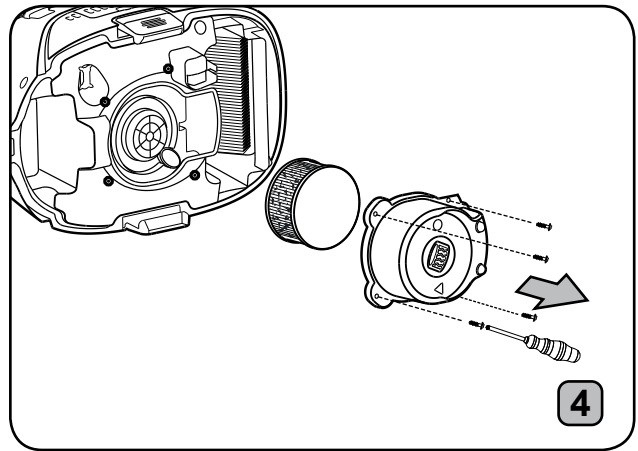
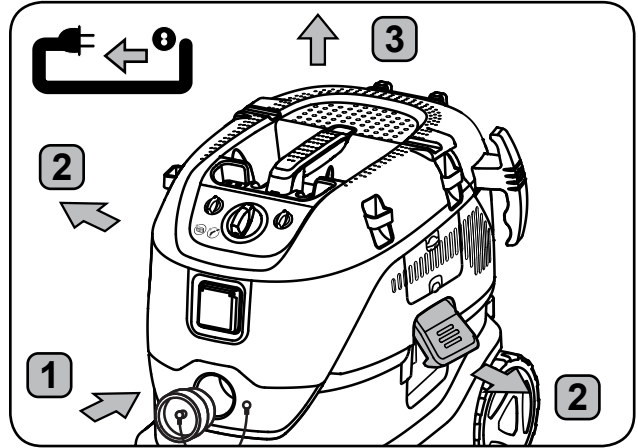
4D



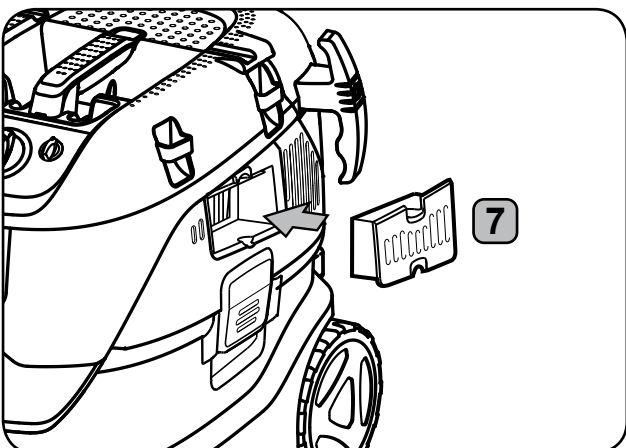
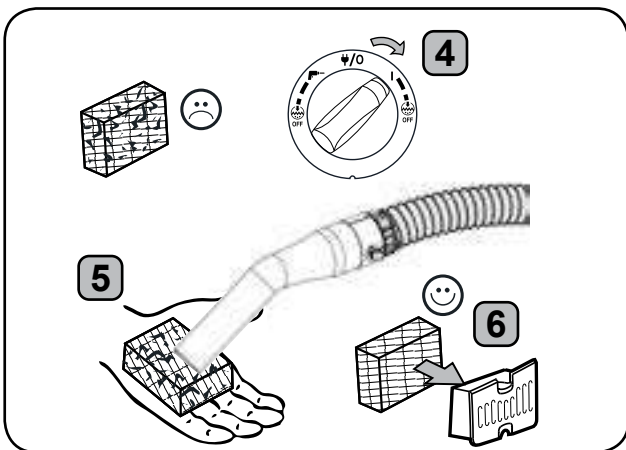
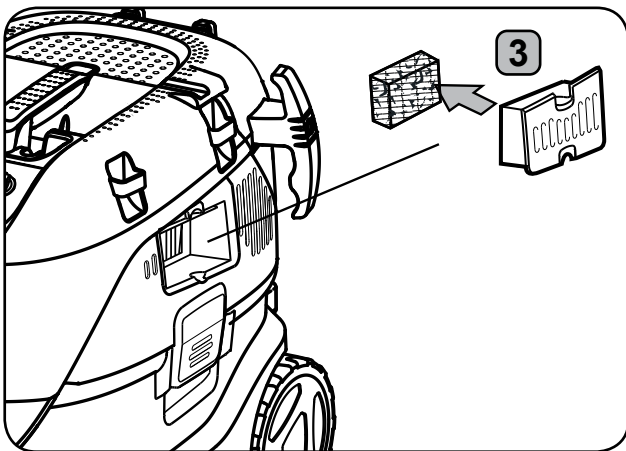
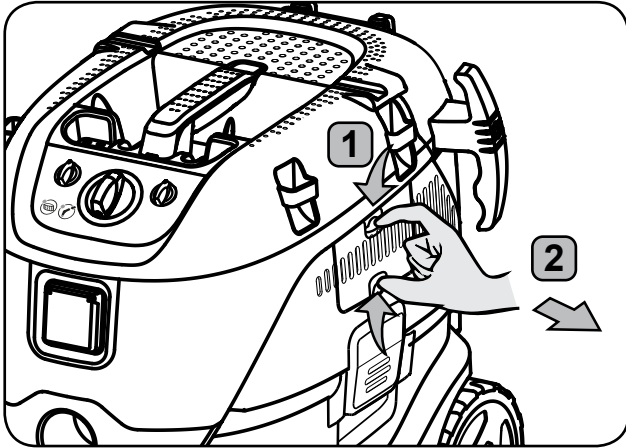
4D



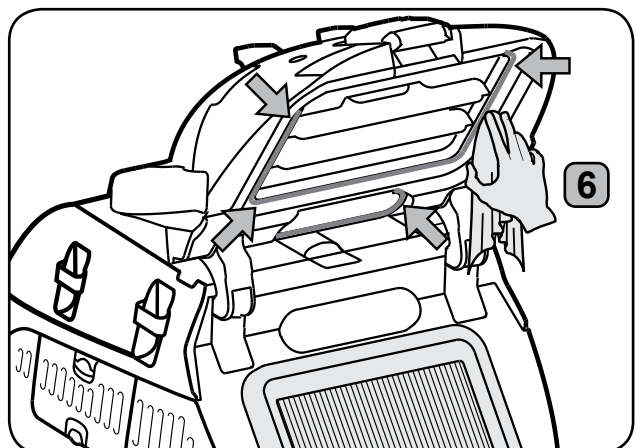
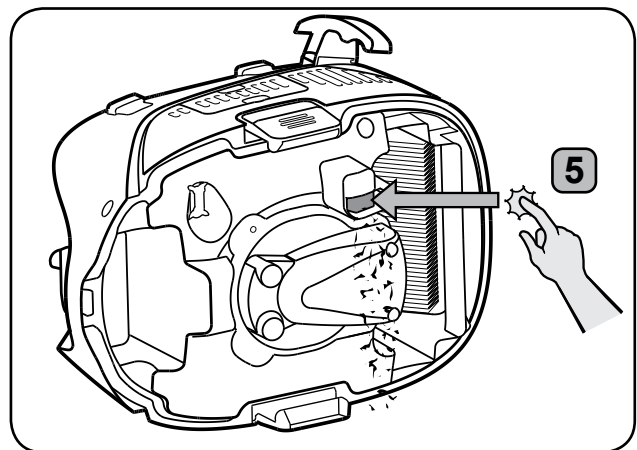
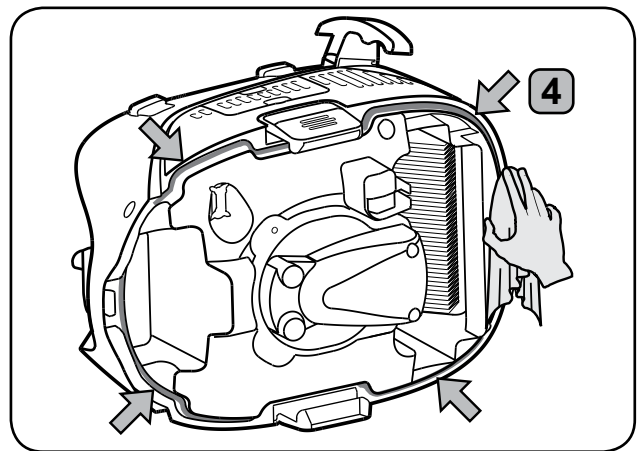
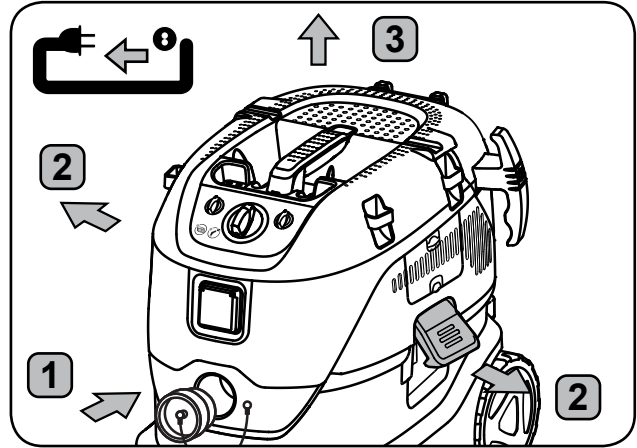
5D

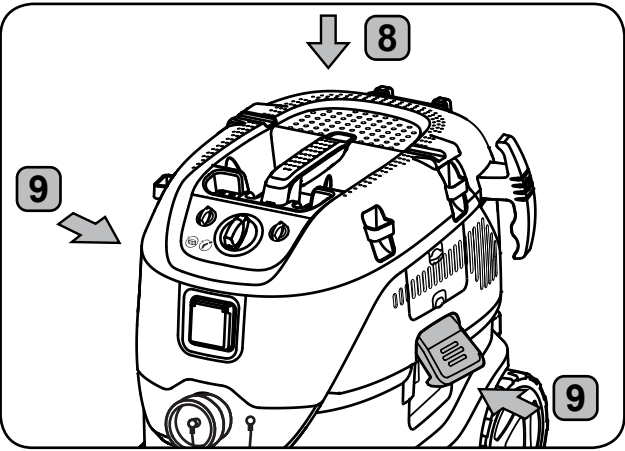
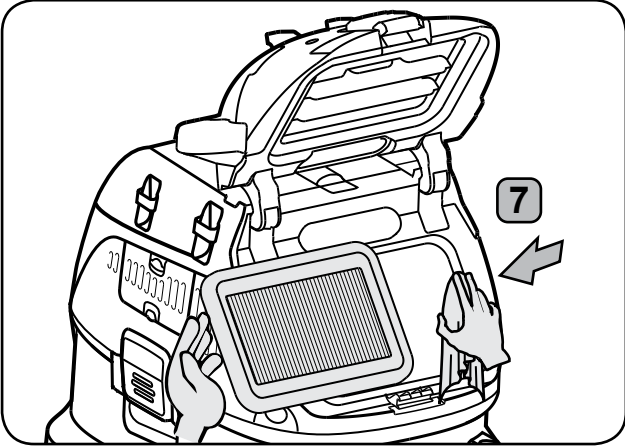
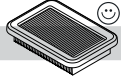


6D

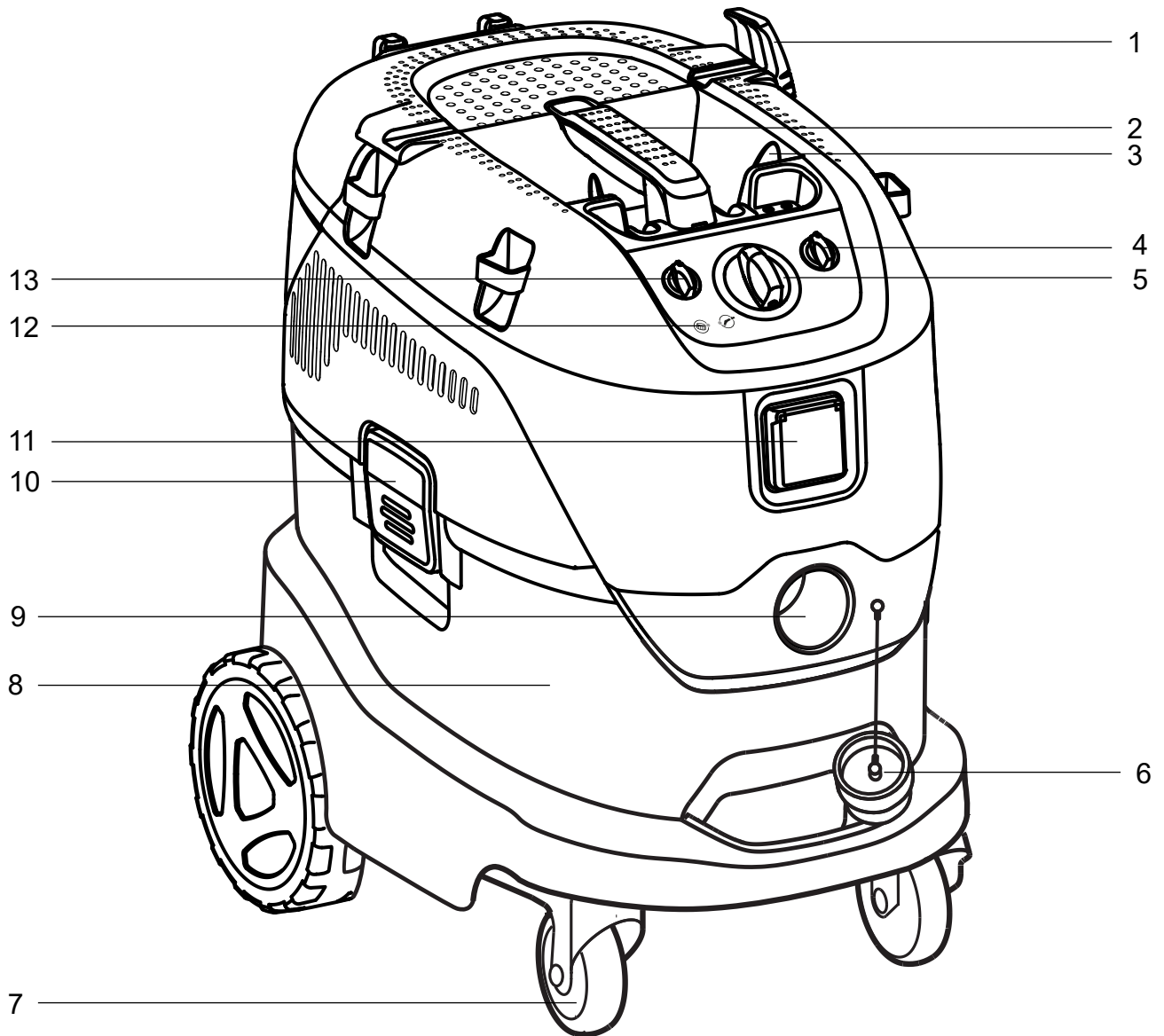


7D





# Bedienelemente



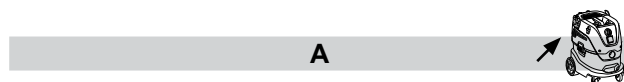
## Quick reference guide

### Operating elements

- 1 Hose hook
- 2 Handle
- 3 Accessory positions
- 4 Suction power control
- 5 Switch
- 6 Inlet cap
- 7 Castor
- 8 Container
- 9 Inlet fitting
- 10 Latch
- 11 Appliance socket
- 12 LED indicator\*)
- 13 Hose diameter setting

### The pictorial quick reference guide

The pictorial quick reference guide is designed for helping you when starting up, operating and storing the unit. The guide are subdivided into 4 sections, which are represented by symbols:



#### Before starting

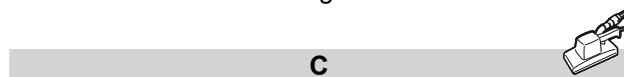
**DO READ OPERATING INSTRUCTIONS BEFORE USE!**

- 1A - Unpack accessories
- 2A - Filter bag installation
- 3A - Disposal bag installation
- 4A - Safety filter bag installation
- 5A - Hose insert & operations
- 6A - Accessories placement
- 7A - Adaptor plate installation
- 8A - Trolley handle installation



#### Control/Operation

- 1B - Flow rate and filter warning
- 2B - AutoClean filter cleaning system
- 3B - Cable and hose storage



#### Connecting electrical appliances

- 1C - Power tool adaption



#### Maintenance

- 1D - Filter bag replacement
- 2D - Disposal bag replacement
- 3D - Safety filter bag replacement
- 4D - Filter replacement Dust Class M & H
- 5D - Essential filter replacement Dust Class H
- 6D - Motor cooling air diffuser cleaning
- 7D - Gaskets and floater cleaning

## Contents

<b>1 Safety instructions</b> .....	<b>12</b>
1.1 Symbols used to mark instructions .....	12
1.2 Instructions for use .....	12
1.3 Purpose and intended use .....	12
1.4 Electrical connection .....	13
1.5 Extension lead.....	13
1.6 Guarantee .....	13
1.7 Important warnings.....	13
<b>2 Risks</b> <b>14</b>	
2.1 Electrical components .....	14
2.2 Hazardous dust .....	14
2.3 Spare parts and accessories.....	14
2.4 In explosive or inflammable atmosphere.....	15
<b>3 Control / Operation</b> .....	<b>15</b>
3.1 Starting and operating of the machine .....	15
3.2 Auto-On/Off socket outlet for power tools ...	15
3.3 AutoClean .....	16
3.4 Flow rate warning.....	16
3.5 Antistatic connection*) .....	16
3.6 Cooling air filter .....	16
3.7 Wet pick-up .....	16
3.8 Dry pick-up .....	17
<b>4 After using the machine</b> .....	<b>17</b>
4.1 After use.....	17
4.2 Transport.....	17
4.3 Storage.....	17
4.4 Accessory and tool storage.....	17
4.5 Recycling the machine .....	18
<b>5 Maintenance</b> .....	<b>18</b>
5.1 Regular servicing and inspection .....	18
5.2 Maintenance.....	18
<b>6 Further information</b> .....	<b>19</b>
6.1 EU Declaration of conformity .....	19
6.2 Specifications .....	20

\*) Optional accessories / Option depending on model  
Original instruction



# 1 Safety instructions



This document contains the safety information relevant for the appliance along with a quick reference guide. Before starting up your machine for the first time, this instruction manual must be read through carefully. Save the instructions for later use.

## Further support

Further information on the appliance can be found on our web site at [www.flex-tools.com](http://www.flex-tools.com).

For further queries, please contact the Flex service representative responsible for your country.

See reverse of this document.

### 1.1 Symbols used to mark instructions

#### DANGER



Danger that leads directly to serious or irreversible injuries, or even death.

#### WARNING



Danger that can lead to serious injuries or even death.

#### CAUTION



Danger that can lead to minor injuries and damage.

### 1.2 Instructions for use

The appliance must:

- only be used by persons, who have been instructed in its correct usage and explicitly commissioned with the task of operating it
- only be operated under supervision

This appliance is not intended for use by persons (including children) with reduced physical, sensory or mental capabilities, or lack of experience and knowledge.

Children shall be supervised to make sure that they do not play with the appliance.

Do not use any unsafe work techniques.

Never use the appliance without a filter.

Switch off the appliance and disconnect the mains plug in the following situations:

- Prior to cleaning and servicing
- Prior to replacing components
- Prior to changing over the appliance
- If foam develops or liquid emerges

Besides the operating instructions and the binding accident prevention regulations valid in the country

of use, observe recognised regulations for safety and proper use.

Before starting work, the operating staff must be informed on and trained within:

- use of the machine
- risks associated with the material to be picked up
- safe disposal of the picked up material

### 1.3 Purpose and intended use

This mobile dust extractor is designed, developed and rigorously tested to function efficiently and safely when properly maintained and used in accordance with the following instructions.

This machine is suitable for industrial use, such as e.g. plants, construction sites and workshops.

This machine is also intended for commercial use, for example in hotels, schools, hospitals, factories, shops, offices and rental businesses.

Accidents due to misuse can only be prevented by those using the machine.

READ AND FOLLOW ALL SAFETY INSTRUCTIONS.

The appliance is suitable for picking up dry, non-flammable dust and liquids.

Any other use is considered as improper use. The manufacturer accepts no liability for any damage resulting from such use. The risk for such use is borne solely by the user. Proper use also includes proper operation, servicing and repairs as specified by the manufacturer.

The air flow in Safety Vacuum systems has to be strictly controlled to achieve a minimum flow rate of  $V_{\min} = 20$  m/s in the suction hose.

For **Dust Class H** machines (with type designation H AC) following applies:

The appliance is suitable for picking up dry, non-flammable dust, non flammable liquids, hazardous dusts with OEL values, carcinogenic dusts, dusts containing germs.

Dust Class H machines are also approved for asbestos abatement according to TRGS 519.



Dust Class H (IEC 60335-2-69).

The dusts which belong to this class are: dusts with OEL values (Occupational Exposure Limit), all carcinogenic dusts and dusts which are mixed with pathogenic agents. Vacuums for Dust Class H are tested in their entirety and have a maximum degree of permeability of 0.005 %. The disposal must be dust free.

The safety label on the machine warns:

This appliance contains dust hazardous to health. Emptying and maintenance operations, including removal of the dust collecting means, must only be



carried out by authorised personnel wearing suitable personal protection. Operate only after the full filtration system has been fitted and checked.

For dust extractors, ensure adequate air change rate, when the exhaust air is returned to the room. Observe national regulations before use.

For **Dust Class M** machines (with type designation M AC) following applies:

The appliance is suitable for picking up dry, non-flammable dust, non flammable liquids, sawdust and hazardous dusts with OEL values  $\geq 0.1 \text{ mg/m}^3$ .



Dust Class M (IEC 60335-2-69).

The dusts which belong to this class are: dusts with OEL values  $> 0.1 \text{ mg/m}^3$  as well as saw dust. The machine is tested in its entirety by vacuums for this dust class. The maximum degree of permeability is 0.1 % and the disposal must be low dust.

For dust extractors, ensure adequate air change rate, when the exhaust air is returned to the room. Observe national regulations before use.

#### 1.4 Electrical connection

It is recommended that the machine should be connected via a residual current circuit breaker.

Arrange the electrical parts (sockets, plugs and couplings) and lay down the extension lead so that the protection class is maintained.

Connectors and couplings of power supply cords and extension leads must be watertight.

#### 1.5 Extension lead

As an extension lead, only use the version specified by the manufacturer or one of a higher quality.

When using an extension lead, check the minimum cross-sections of the cable:

Cable length	Cross section	
	< 16 A	< 25 A
up to 20 m	1.5 mm <sup>2</sup>	2.5 mm <sup>2</sup>
20 to 50 m	2.5 mm <sup>2</sup>	4.0 mm <sup>2</sup>

#### 1.6 Guarantee

Our general conditions of business are applicable with regard to the guarantee.

Unauthorised modifications to the appliance, the use of incorrect brushes in addition to using the appliance in a way other than for the intended purpose exempt the manufacturer from any liability for the resulting damage.

### 1.7 Important warnings

#### WARNING



To reduce the risk of fire, electric shock, or injury, please read and follow all safety instructions and caution markings before use.

This machine is designed to be safe when used for cleaning functions as specified. Should damage occur to electrical or mechanical parts, the machine and / or accessory should be repaired by a competent service center or the manufacturer before use in order to avoid further damage to the machine or physical injury to the user.

Do not leave the machine when it is plugged in. Unplug from the socket when not in use and before maintenance.

Outdoor use of the appliance shall be limited to occasional use.

Do not use with damaged cord or plug. To unplug grasp the plug, not the cord. Do not handle plug or machine with wet hands. Turn off all controls before unplugging.

Do not pull or carry by cord, use cord as a handle, close a door on cord, or pull cord around sharp edges or corners. Do not run machine over cord. Keep cord away from heated surfaces.

Keep hair, loose clothing, fingers and all parts of the body away from openings and moving parts. Do not put any objects into openings or use with opening blocked. Keep openings free of dust, lint, hair, and anything else that could reduce the flow of air.

Do not use in outside areas at low temperature.

Do not use to pick up flammable or combustible liquids such as gasoline, or use in areas where they may be present.

Do not pick up anything that is burning or smoking, such as cigarettes, matches or hot ashes.

Use extra care when cleaning on stairs.

Do not use unless filters are fitted.

If the machine is not working properly or has been dropped, damaged, left outdoors, or dropped into water, return it to a service center or dealer.

If foam or liquid escapes from the machine, switch off immediately.

The machine may not be used as a water pump. The machine is intended for vacuuming air and water mixtures.

Connect the machine to a properly earthed mains supply. The socket outlet and the extension cable must have an operative protective conductor.

Provide for good ventilation at the working place.

Do not use the machine as a ladder or step ladder. The machine can tip over and become damaged. Danger of injury.

Only use the socket outlet on the machine for purposes specified in the instructions.

## 2 Risks

### 2.1 Electrical components

#### DANGER



The upper section of the machine contains live components.

Contact with live components leads to serious or even fatal injuries.

1. Never spray water on to the upper section of the machine.

#### DANGER



Electric shock due to faulty mains connecting lead.

Touching a faulty mains connecting lead can result in serious or even fatal injuries.

1. Do not damage the mains power lead (e.g. by driving over it, pulling or crushing it).
2. Regularly check whether the power cord is damaged or shows signs of ageing.
3. If the electric cable is damaged, it must be replaced by an authorized Flex distributor or similar qualified person in order to avoid a hazard.
4. In no circumstances should the power supply cord be wrapped around fingers or any part of the operators person.

### 2.2 Hazardous dust

#### WARNING

Hazardous materials.

Vacuuming up hazardous materials can lead to serious or even fatal injuries.

1. The following materials must not be picked up by the machine:
  - hot materials (burning cigarettes, hot ash, etc.)
  - flammable, explosive, aggressive liquids (e.g. petrol, solvents, acids, alkalis, etc.)
  - flammable, explosive dust (e.g. magnesium or aluminium dust, etc.)

#### WARNING



Using the appliance for asbestos abatement work according to German regulation TRGS 519. To pick up materials containing asbestos:



Dust Class H machines (with type designation H AC) can be used for picking up asbestos.

1. Use a suction hose with a maximum diameter of 36 mm.
2. Use the closable plastic sack to ensure dust-free transport of the appliance and contaminated parts (hose, hand pipe, nozzles, etc.).

Once the asbestos appliance has been used in an exclusion area as defined in TRGS 519, it should no longer be used in so-called "white" areas. Exceptions are only permitted if the asbestos cleaner has previously been completely decontaminated by a specialist as specified in TRGS 519 No. 2.7 (e.g. not only the outer case but also, for example, the cooling air rooms, the installation rooms for electrical supplies, the supplies themselves, etc.). A written report must be made by a specialist and signed by him.

When picking up materials containing asbestos the exhaust air must not be returned into the room.

1. Use the exhaust air socket and a hose with a length of maximum 4 m and a nominal diameter of minimum 50 mm.

### 2.3 Spare parts and accessories

#### CAUTION



Spare parts and accessories.


The use of non-genuine spare parts, brushes and accessories can impair the safety and or function of the appliance.

1. Only use original spare parts and accessories from Flex. Spare parts that can affect health and safety of the operator and or function of the appliance, are specified below:

Description		Order No.
Flat filter PTFE, 1 pcs.		445.118
Dust Class H filter, 1 pcs		445.126
Fleece filter bag, 5 pcs		445.088
Disposal bag, 5 pcs		445.061
Safety filter bag, 5 pcs		445.096
Motor cooling air filter PET, 1 pcs		445.134


## 2.4 In explosive or inflammable atmosphere

### CAUTION

 This machine is not suitable for use in explosive or inflammable atmospheres or where such atmospheres are likely to be produced by the presence of volatile liquid or inflammable gas or vapour.

## 3 Control / Operation

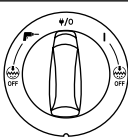
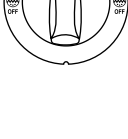






### CAUTION

 Damage due to unsuitable mains voltage.  
The appliance can be damaged as a result of being connected to an unsuitable mains voltage.


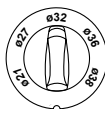
1. Ensure that the voltage shown on the rating plate corresponds to the voltage of the local mains power supply.

### 3.1 Starting and operating of the machine

1. Check that the electrical switch is switched off (in position 0).
2. Check that suitable filters are installed in the machine.
3. Connect the suction hose into the suction inlet at the machine by pushing the hose forward until it fits firmly in place at the inlet.
4. Connect the tubes with the hose handle, twist the tubes in order to ensure that they are properly fitted.
5. Attach suitable nozzle to the tube. Choose nozzle depending on what type of material that is to be picked-up. If used for dust extraction in connection with dust producing tool then connect end of suction hose with appropriate adapter.
6. Check that hose diameter setting corresponds to actual hose diameter.
7. Connect the plug into a proper electrical outlet.
8. Put the electrical switch into position I in order to start the motor.


	Turn I: Activate the machine
	Turn 0: Stop the machine. Permanent power on socket
	Turn I-: Activate Auto-On/Off operation
	Turn I+  Off: Activate the machine with deactivated automatic filter cleaning function
	Turn I- +  Off: Activate Auto-On/Off operation with deactivated automatic filter cleaning function
	Speed control operation on separate turning knob

The hose diameter and the setting for suction hose diameter must be the same.

	
ø21	ø21
ø27	ø27
ø32	ø32
ø36	ø36
ø38	ø38

### 3.2 Auto-On/Off socket outlet for power tools

#### CAUTION


 Appliance socket.  
The appliance socket is designed for electrical auxiliary equipment; see technical data for reference.

1. Prior to plugging in an appliance, always switch off the machine and the appliance that is to be connected.
2. Read the operating instructions to the appliance to be connected and observe the safety notes contained in these.

An appliance socket with earthing contact is integrated in the machine. An external power tool can be connected there. The socket features permanent power on, when the electrical switch is in position 0, i.e. the machine can be used as an extension cord.

In position I- the machine can be switched on and off by the power tool connected. Dirt is picked up from the source of dust immediately. To comply with regulations, only approved dust producing tools should be connected.

The maximum power consumption of the connected electrical appliance is stated in section "Specifications".

Before turning the switch to position  ensure that the tool connected to the appliance socket is switched off.

### 3.3 AutoClean

The "AC" machine is equipped with an automatic filter cleaning system, AutoClean. A frequent cleaning cycle will automatically run during operation to ensure that suction performance is always at its best.

If suction performance decreases or in extensive dust applications a manually filter cleaning operation is recommended:

1. Switch off the machine.
2. Close the nozzles or suction hose opening with the palm of your hand.
3. Turn the switch to position „I“ and let the machine operate at full speed for approx. 10 seconds with the suction hose opening closed.

If suction power is still reduced take out the filter and clean mechanically or replace filter.

For certain applications, like wet pick up, it is recommended to turn off the automatic filter cleaning system. For details see chapter 3.1.

### 3.4 Flow rate warning

#### CAUTION



Check that all the filters are present and properly fitted.

The machine is equipped with a system to monitor air velocity and Dust Class H filter condition<sup>\*)</sup>. Before picking up dust with occupational exposure limit values, check the volume flow monitor.

1. When the motor is running, hold the suction hose shut to reduce the volume flow. The LED indicator on front panel will light after approx. 1 second. The acoustic warning sounds after some additional seconds.
2. Set the diameter setting to the actual hose size.



When LED indicator lights, air velocity is below 20 m/s. check if container or filter bag is full.

3. check if air flow is reduced in suction hose, tube/ nozzle, filter.



When LED<sup>\*)</sup> indicator lights, Dust Class H or HEPA filter is missing, damaged or clogged.

1. The filter needs to be installed or replaced to obtain needed air flow.

### 3.5 Antistatic connection<sup>\*)</sup>

#### CAUTION



The machine is equipped with an antistatic system to discharge any static electricity that may develop during dust pick-up.

The antistatic system is placed in front part of the motor top and creates an earth ground connection to the inlet fitting of the container.

For proper function the use of an electrical conductive or antistatic suction hose is recommended.

1. When inserting the optional disposal bag make sure the antistatic connection is kept.

### 3.6 Cooling air filter

To protect the electronics and motor, the machine is equipped with a cooling air diffusor. Clean the cooling air diffusor regularly.

For areas with a high concentration of fine dust in the surrounding air it is recommended to equip the machine with an optional cooling air filter cartridge to prevent dust from settling inside the air channels and motor. Contact your local sales representative.

#### CAUTION



If cooling air filter is clogged by dust the overload protection switch in the motor can be activated.

1. In such case switch off the machine, clean cooling air filter and allow machine to cool for approx. 5 minutes.

### 3.7 Wet pick-up

#### CAUTION



The machine is equipped with a water level limit system which shuts off the machine when the maximum liquid level is reached.

1. When this occurs, switch off the machine.
2. Disconnect the machine from the socket and empty the container.
3. Never pick up liquids without the water level limit system and filter in place.
4. Do not pick up flammable liquids.
5. Before liquids are picked up, always remove the filter bag/wastebag and check that the water level limit works properly.
6. If foam appears, stop work immediately and empty the tank.
7. Clean the water level limiting device regularly and check for signs of damage.

Before emptying the container, unplug the machine. Disconnect the hose from the inlet by pulling out the

hose. Release the latches by pulling them outwards so that the motor top is released. Lift up the motor top from container. Always empty and clean the container and water level limit system after picking-up liquids.

Empty by tilting the container backwards or sideways and pour the liquids into a floor drain or similar.

Put back the motor top to the container. Secure the motor top with the latches.

Heavy maneuvers can, by mistake, trigger the water level limiting device. Should this happen; turn off the machine and wait for 3 seconds to reset the device. Continue to operate the machine afterwards.

### 3.8 Dry pick-up

#### CAUTION



Picking up environmentally hazardous materials.

Materials picked up can present a hazard to the environment.

1. Dispose of the dirt in accordance with legal regulations.

#### CAUTION<sup>\*)</sup>



Dust Class H machines are equipped with an upstream Dust Class H filter fitted on bottom side of motor top under a guard cover.

1. Check that filter guard cover and sealing are safety installed and without damage and that the filter is properly fitted.

A LED indicator will light if the filter needs to be replaced, or if the filter is missing, mounted incorrectly or damaged.

Remove the electrical plug from the socket before emptying after dry pick-up. Remove the suction hose from the machine and close the inlet cap, to avoid harmful dust spreading. Release the latches by pulling them outwards so that the motor top is released. Lift up the motor top from container.

**Main Filter:** Check the filter. To clean the filter you can either brush or wash it. Wait until the filter is dry before re-starting dust pick-up.

**Essential Filter Dust Class H:** Check the filter. Replace filter if necessary. Wear mask and protective clothing.

**Dustbag:** Check bag to ensure the fill factor. Replace dust bag if necessary. Remove the old bag. The new bag is fitted by passing the cardboard piece with the rubber membrane through the vacuum inlet. Make sure that the rubber membrane is passing past the heightening at the vacuum inlet.

**Safety filter bag:** Check bag to ensure the fill factor. Replace dust bag if necessary. Wear mask and protective clothing when removing the old bag. Carefully remove the dust bag connection from the inlet fitting. Close the dust bag connection with the slide. Dispose of the dirt in accordance with legal regulations.

**After emptying:** close motor top to the container and secure the motor top with the latches. Never pick up dry material without filter fitted in the machine. The suction efficiency of the machine depends on the size and quality of the filter and dust bag. Therefore - use only Original filter and dust bags.

## 4 After using the machine

### 4.1 After use

After picking up hazardous dust, close the inlet cap and clean the outside of the machine.

Remove the plug from the socket when machine is not in use. Wind up the cord starting from the machine. The power cord can be wound up around the motor top or at the container or placed in the included hook, or fastening means. Some variants have special storage places for accessories.

### 4.2 Transport

1. Before transporting the machine, close all the latches.
2. Close the inlet with the inlet cap.
3. Do not tilt the machine if there are liquids in the dirt tank.
4. Do not use a crane hook to lift the machine.
5. Do not lift the machine by the trolley handle or the handle of the L-Boxx<sup>\*)</sup>.

### 4.3 Storage

#### CAUTION



Store the appliance in a dry place, protected from rain and frost. The machine shall be stored indoors only.

### 4.4 Accessory and tool storage

For convenient transport and storage of accessories or tools, integrated rails are found on side of machine which allows fastening with straps or other means. A flexible strap and hooks are included on back of machine for attachment of suction hose or mains cable. For instruction see quick reference guide.

\*) Optional accessories / Option depending on model  
Original instruction



An optional adapter plate<sup>\*)</sup> with attachment system can be installed on top of machine for fastening of 2-point or 4-point storage cases.

Remove the electrical plug from the socket before installing the adapter plate.

#### CAUTION<sup>\*)</sup>



Do not lift machine in adapter plate without having storage case safely installed. Note the weight and balance of the appliance in case of storage. Maximum weight of storage cases is 30 kg.

#### 4.5 Recycling the machine

Make the old machine unusable.

1. Unplug the machine.
2. Cut the power cord.
3. Do not discard of electrical appliances with household waste.



As specified in European Directive 2012/19/EU on old electrical and electronic appliances, used electrical goods must be collected separately and recycled ecologically.

## 5 Maintenance

### 5.1 Regular servicing and inspection

Regular servicing and inspection of your machine must be carried out by suitably qualified personnel in accordance with relevant legislation and regulations. In particular, electrical tests for earth continuity, insulation resistance, and condition of the flexible cord should be checked frequently.

In the event of any defect, the machine **MUST** be withdrawn from service, completely checked and repaired by an authorized service technician.

At least once a year, a Flex technician or an instructed person must perform a technical inspection including filters, air tightness and control mechanisms.

Appliances in Dust Class H must have their filtration efficiency checked once a year. If the efficiency of the filter does not fulfil the requirements for Dust Class, the filter must be replaced.

### 5.2 Maintenance

Remove the plug from the socket before performing maintenance. Before using the machine make sure that the frequency and voltage shown on the rating plate correspond with the mains voltage.

The machine is designed for continuous heavy work. Depending on the number of running hours – the dust filter should be renewed. Keep the machine

clean with a dry cloth, and a small amount of spray polish.

During maintenance and cleaning, handle the machine in such a manner that there is no danger for maintenance staff or other persons.

In the maintenance area

- Use filtered compulsory ventilation
- Wear protective clothing
- Clean the maintenance area so that no harmful substances get into the surroundings.

#### CAUTION



In the case of asbestos abatement wear additional single-use clothing. Wear a P2 breathing mask.

Before removing the machine from the area contaminated with harmful substances:

1. Clean the outside of the machine, wipe it clean or pack the machine in well sealed packaging and avoid spreading deposited harmful dust.
2. After use, in asbestos contaminated areas, the machine must be cleaned by an authorised person according to TGRS 519.

During maintenance and repair work all contaminated parts that could not be cleaned satisfactorily must be:

- Packed in well sealed bags
- Disposed of in a manner that complies with valid regulations for such waste removal.

For details of after sales service contact your dealer or Flex service representative responsible for your country. See reverse of this document.

## 6 Further information

### 6.1 EU Declaration of conformity

We hereby declare that the machine described below complies with the relevant basic safety and health requirements of the EU Directives, both in its basic design and construction as well as in the version put into circulation by us. This declaration shall cease to be valid if the machine is modified without our prior approval.

Product: Wet and dry vacuum cleaner  
 Type: VCE 33 M AC / VCE 44 M AC /  
 VCE 44 M AC Air / VCE 44 H AC

Relevant EU Directives:  
 2006/42/EC, 2014/30/EU, 2011/65/EC

Applied harmonized standards:  
 EN 60335-1:2012+A11:2014  
 EN 60335-2-69:2012  
 EN 55014-1:2006+A1:2009+A2:2011  
 EN 55014-2:1997+A1:2001+A2:2008  
 EN 61000-3-2:2014  
 EN 61000-3-3:2013  
 EN 50581:2012

Authorised Documentation Representative:  
 FLEX Elektrowerkzeuge GmbH, R & D  
 Bahnhofstraße 15, D-71711 Steinheim/Murr



Eckhard Rühle  
 Manager Research &  
 Development (R&D)



Klaus Peter Weinper  
 Head of Quality  
 Department (QD)

01.07.2016  
 FLEX Elektrowerkzeuge GmbH  
 Bahnhofstraße 15, D-71711 Steinheim/Murr



6.2 Specifications

VCE 33, VCE 44										
		EU				CH	GB			
		VCE 33 M AC	VCE 44 M AC	VCE 44 M AC Air	VCE 44 H AC	VCE 33 M AC	VCE 33 M AC	VCE 33 M AC	VCE 44 M AC	VCE 44 M AC
Possible voltage	V	220-240	220-240	220-240	220-240	220-240	220-240	110	220-240	110
Power P <sub>IEC</sub>	W	1200	1200	1200	1200	1200	1200	1200	1200	1200
Power P <sub>max</sub>	W	1400	1400	1400	1400	1400	1400	1400	1400	1400
Connected load for appliance socket	W	2400	2400	2400	2400	2400	2400	2400	2400	2400
Mains frequency	Hz	50/60	50/60	50/60	50/60	50/60	50/60	50/60	50/60	50/60
Fuse	A	16	16	16	16	16	16	16	16	16
Protection grade (moist, dust)		IPX4								
Protection class (electrical)		I								
Max. Airflow *	l/s m <sup>3</sup> /h CFM	75 270 159								
Max. Vacuum	kPa hPa in <sub>H<sub>2</sub>O</sub>	25 250 100								
Sound pressure level L <sub>PA</sub> (IEC 60335-2-69)	dB(A)	68 ± 2								
Working sound level	dB(A)	60 ± 2								
Vibration ISO 5349 a <sub>n</sub>	m/s <sup>2</sup>	≤ 2,5								
Weight	kg lb	14,5 31,9	14,5 31,9	14,5 31,9	14,5 31,9	14,5 31,9	14,5 31,9	14,5 31,9	14,5 31,9	14,5 31,9
Filter surface area	m <sup>2</sup>	0,5								
Dust class		M			H		M			

\* measured at turbine

Specifications and details are subject to change without prior notice.