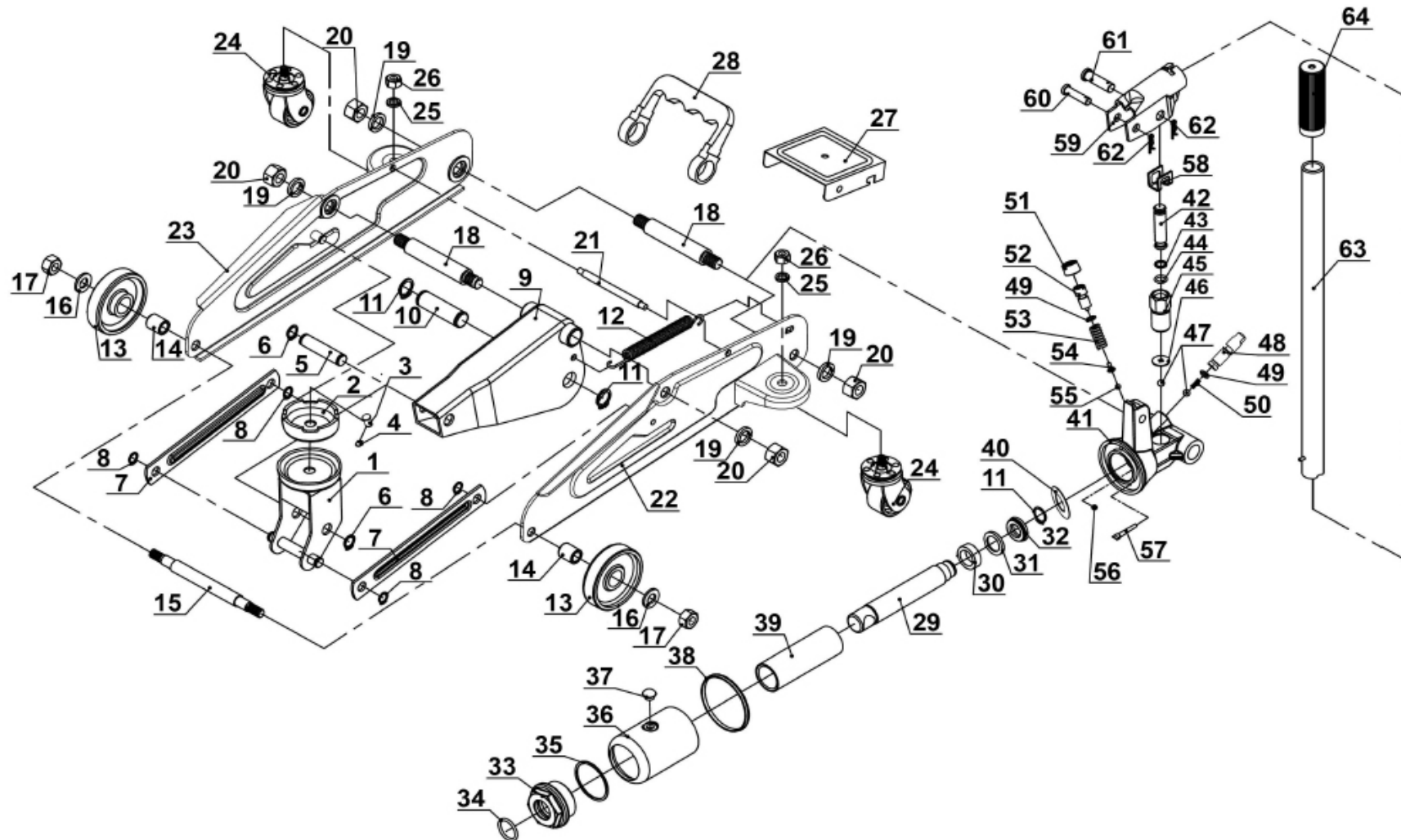




Parts Information:
Trolley Jack 2 Tonne Short Chassis
Model No: 1050CX.V5



NOTE: It is our policy to continually improve products and as such we reserve the right to alter data, specifications and component parts without prior notice.

There may be alternative versions of this product, please contact us should you require this information.

IMPORTANT: No liability is accepted for incorrect use of product. Spare parts must be fitted by a competent person

WARRANTY: Guarantee is 12 months from purchase date, proof of which will be required for any claim.

Sealey Group, Kempson Way, Suffolk Business Park, Bury St Edmunds, Suffolk. IP32 7AR



01284 757500



sales@sealey.co.uk



www.sealey.co.uk



Parts Information:
Trolley Jack 2 Tonne Short Chassis
Model No: 1050CX.V5

Item	Part No.	Description	Qty
1	1050CX.V5-01	Saddle Base	1
2	1050CX.V5-02	Saddle, White Serrated Cup (F) Ø 50mm)	1
3	1050CX.V5-03	Saddle Pin	1
4	1020LE.V3-08	External Circlip 11.8mm ID	1
5	1050CX.V5-05	Axle	1
6	1020LE.V3-09	External Circlip 12.0mm ID	2
7	1050CX.V5-07	Radius Link	2
8	1050CX.V5-08	External Circlip	4
9	1050CX.V5-09	Lifting Arm Assembly	1
10	1050CX.V5-10	Ram Plunger Axle	1
11	1050CX.V5-11	External Circlip	3
12	1050CX.V5-12	Return Spring	1
13	1050CX.V5-13	Wheel, Front Fixed, (D: 66 W:22 B: 17)	2
14	1050CX.V5-14	Wheel Bush	2
15	1050CX.V5-15	Front Axle	1
16	FWM10.S	Flat Washer M10 Zinc	2
17	SN10.S	Steel Nut M10 Zinc	2
18	1050CX.V5-18	Frame Pin	2
19	SWM12.S	Spring Washer M12 Zinc	4
20	SN12.S	Steel Nut M12 Zinc	4
21	1050CX.V5-21	Frame Tie Rod	1
22	1050CX.V5-22	Side Frame, Left	1
23	1050CX.V5-23	Side Frame, Right	1
24	1050CX.V5-24	Wheel, Rear Swivel Castor, Single Bolt (D: 38 W: 18 B: 6 H:)	2
25	SWM8.S	Spring Washer M8 Zinc	2
26	NLN8.S	Nyloc Nut M8 Zinc	2
27	1050CX.V5-27	Cover Plate	1
28	1050CX.V5-28	Carry Handle	1
29	1050CX.V5-29	Ram Piston	1
30	1020LE.V3-39	Bushing Cover	1
31	1020LE.V3-40	Back-up Washer	1
32	1020LE.V3-41	U-Cup Seal	1
33	1050CX.V5-33	Top Nut	1

Item	Part No.	Description	Qty
34	1020LE.V3-31	O-Ring (Ø25 × Ø3.55)	1
35	1020LE.V3-32	Seal Ring	1
36	1050CX.V5-36	Reservoir	1
37	1020LE.V3-34	Oil Seal	1
38	1020LE.V3-35	Wedge Ring	1
39	1050CX.V5-39	Cylinder	1
40	1020LE.V3-37	Flat Washer (Ø34 x Ø23 x 0.8)	1
41	1050CX.V5-41	Base	1
42	1050CX.V5-42	Pump Piston	1
43	1020LE.V3-58	Back-up Washer	1
44	1020LE.V3-57	O-Ring (Ø7.7 × Ø1.9)	1
45	1050CX.V5-45	Pump	1
46	1020LE.V3-55	Flat Washer (Ø16 x 4 × 4 x 1)	1
47	SB-6.1	Steel Ball 6.1mm	2
48	1050CX.V5-48	Release Valve	1
49	1020LE.V3-51	O-Ring (Ø6 × Ø3)	2
50	1050CX.V5-50	Release Valve Spring	1
51	1050CX.V5-51	Protection Cap	1
52	1050CX.V5-52	Safety Valve Screw	1
53	1050CX.V5-53	Safety Valve Spring	1
54	1050CX.V5-54	Safety Valve Base	1
55	SB-4.0	Steel Ball 4.0mm	1
56	SB-5.0	Steel Ball 5.0mm	1
57	1020LE.V3-43	Filter	1
58	1050CX.V5-58	Connection Sleeve	1
59	1050CX.V5-59	Handle Socket	1
60	1050CX.V5-60	Handle Socket Pin (A)	1
61	1050CX.V5-61	Handle Socket Pin (B)	1
62	1050CX.V5-62	Handle Socket Retaining Pin	2
63	1050CX.V5-63	Handle (Pinched Oval)	1
64	1050CX.V5-64	Handle Grip	1
--	1050CX.V5-HU	Hydraulic Unit Complete (Not Shown)	1
--	1050CX.V5-RK	Repair Kit (Not Shown)	1

NOTE: It is our policy to continually improve products and as such we reserve the right to alter data, specifications and component parts without prior notice. There may be alternative versions of this product, please contact us should you require this information.

IMPORTANT: No liability is accepted for incorrect use of product. Spare parts must be fitted by a competent person

WARRANTY: Guarantee is 12 months from purchase date, proof of which will be required for any claim.

Sealey Group, Kempson Way, Suffolk Business Park, Bury St Edmunds, Suffolk. IP32 7AR



01284 757500



sales@sealey.co.uk



www.sealey.co.uk