

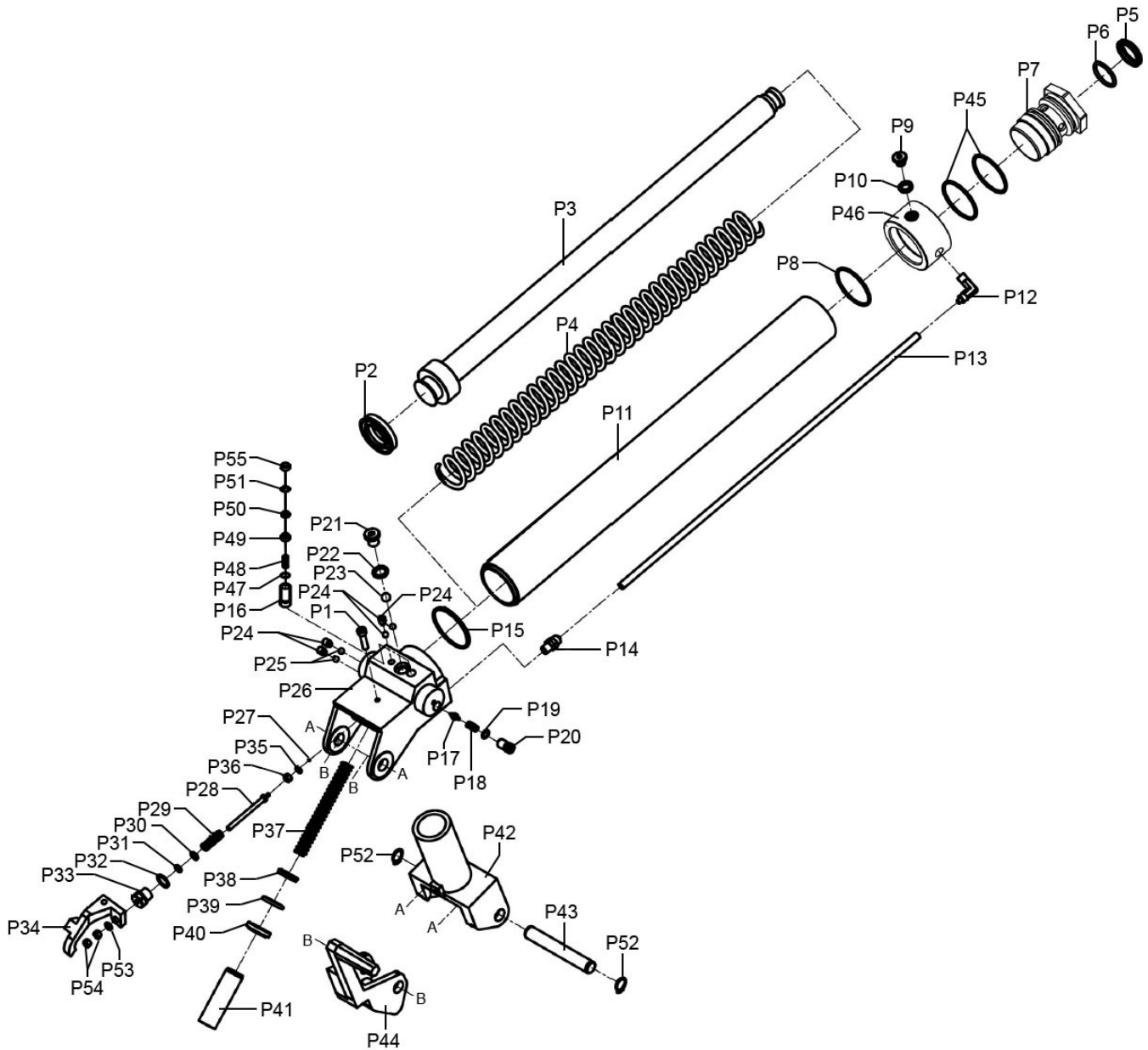
Item	Part No.	Description
1	2200HL.V2-01	Handle Grip
2	2200HL.V2-02	Jack Handle, Round Locking, 33mm
3	2200HL.V2-03	Dust Cap
4	SCB620.SB	Socket Cap Bolt M6 x 20mm Black
5	SN18.S	Steel Nut M18 Zinc
6	SWM18.S	Spring Washer M18 Zinc
7	FWM18.S	Flat Washer M18 Zinc
8	2200HL.V2-08	Wheel, Swivel Castor, Single Bolt (D:75 W:43 B:13 H:127)
9	SCB810.SB	Socket Cap Bolt M8 x 10mm Black
10	SCB612.SB	Socket Cap Bolt M6 x 12mm Black
11	MC4500.P5	External Circlip 14.5mm ID

Item	Part No.	Description
12	2200HL.V2-12	Lifting Frame Assembly
13	2200HL.V2-13	External Circlip 16.0mm ID
14	2200HL.V2-14	Wheel, Fixed (D:74 W:43 B:13)
15	2200HL.V2-15	Base frame Assembly
16	2200HL.V2-16	Saddle Holder
17	BHSS625.SB	Button Head Socket Screw M6 X 25 Black
18	2200HL.V4-18	Hydraulic Unit Assembly
19	2200HL.V2-19	Link Arm
20	2200HL.V2-20	Saddle Ass'y
--	2200HL.V2-RK	Repair Kit (Not Shown)

**NOTE:** It is our policy to continually improve products and as such we reserve the right to alter data, specifications and component parts without prior notice. There may be alternative versions of this product, please contact us should you require this information.

**IMPORTANT:** No liability is accepted for incorrect use of product. Spare parts must be fitted by a competent person

**WARRANTY:** Guarantee is 12 months from purchase date, proof of which will be required for any claim.



Item	Part No.	Description
P1	2200HL-V4-P01	Bolt
P2	2200HL-V4-P02	Rubber Seal
P3	2200HL.V2-P03	Piston Rod
P4	2200HL.V2-P04	Spring
P5	2200HL.V2-P05	Dust Seal
P6	2200HL.V2-P06	O-Ring, (Ex: 35.63 In: 29.85 Cs: 2.89)
P7	2200HL.V4-P07	Ram Cover
P8	2200HL.V2-P08	O-Ring, (Ex: 55.85 In: 51.14 Cs: 2.36)
P9	2200HL.V2-P09	Screw
P10	2200HL.V2-P10	Seal Washer Black M10

Item	Part No.	Description
P11	2200HL.V4-P11	Ram
P12	2200HL.V2-P12	Joint
P13	2200HL.V2-P13	Pu Hose 5mm x 8mm x 600mm
P14	2200HL.V2-P14	Joint
P15	2200HL.V2-P15	Nylon Ring
P16	2200HL.V4-P16	Valve Seat
P17	2200HL.V2-P17	Steel Ball Seat
P18	2200HL.V2-P18	Spring Dia 7.5mm
P19	GSA08.09-4	O-Ring, (Ex: 11.21 In: 7.65 Cs: 1.78)
P20	2200HL.V2-P20	Valve Seat

**NOTE:** It is our policy to continually improve products and as such we reserve the right to alter data, specifications and component parts without prior notice. There may be alternative versions of this product, please contact us should you require this information.

**IMPORTANT:** No liability is accepted for incorrect use of product. Spare parts must be fitted by a competent person

**WARRANTY:** Guarantee is 12 months from purchase date, proof of which will be required for any claim.



Parts Information:  
**Trolley Jack 2 Tonne High Lift Low Profile**  
**Model No: 2200HL.V4**

Item	Part No.	Description
P21	2200HL.V2-P21	Screw
P22	2200HL.V2-P22	Seal Washer
P23	SB-9.5	Steel Ball 9.5mm
P24	2200HL.V2-P24	Screw
P25	SB-6.6	Steel Ball 6.6mm
P26	2200HL.V2-P26	Pump Body
P27	SB-2.5	Steel Ball 2.5mm
P28	2200HL.V2-P28	Unloader Valve Rod
P29	2200HL.V2-P29	Spring Dia 9.4mm
P30	2200HL.V2-P30	Spacer
P31	BS107	O-Ring, (Ex: 10.47 In: 5.23 Cs: 2.62)
P32	2200HL.V2-P32	Copper Washer M14
P33	2200HL.V2-P33	Valve Seat
P34	2200HL.V2-P34	Unloader Plate
P35	2200HL.V4-P35	Circlip
P36	2200HL.V4-P36	Release Valve Rod Nut
P37	2200HL.V2-P37	Spring Dia 14.5mm
P38	2200HL.V2-P38	Cup Seal 22*30*5

Item	Part No.	Description
P39	2200HL.V2-P39	O-Ring, (Ex: 28.88 In: 21.82 Cs: 3.53)
P40	2200HL.V2-P40	Dust Ring Seal
P41	2200HL.V2-P41	Pump Piston
P42	2200HL.V2-P42	Handle Socket
P43	2200HL.V2-P43	Pin, Handle Socket
P44	2200HL.V4-P44	Foot Pedal
P45	2200HL.V4-P45	O-Ring
P46	2200HL.V4-P46	Cap Nut
P47	2200HL.V4-P47	O-Ring
P48	2200HL.V4-P48	Valve Seat Spring
P49	2200HL.V4-P49	Valve Seat Cover
P50	2200HL.V4-P50	Filter
P51	2200HL.V4-P51	Retaining Ring
P52	2200HL.V4-P52	Ext Circlip
P53	FWM5.S	Flat Washer M5 Zinc
P54	SN5.S	Steel Nut M5 Zinc
P55	2200HL.V4-P55	Valve Screw

**NOTE:** It is our policy to continually improve products and as such we reserve the right to alter data, specifications and component parts without prior notice. There may be alternative versions of this product, please contact us should you require this information.

**IMPORTANT:** No liability is accepted for incorrect use of product. Spare parts must be fitted by a competent person

**WARRANTY:** Guarantee is 12 months from purchase date, proof of which will be required for any claim.

Sealey Group, Kempson Way, Suffolk Business Park, Bury St Edmunds, Suffolk. IP32 7AR



01284 757500



sales@sealey.co.uk



www.sealey.co.uk