



3 TONNE LOW ENTRY TROLLEY JACK, CAR JACK, WITH ROCKET LIFT

MODELS: **3040AB.V1, 3040AG.V2, 3040AO.V2, 3040AY.V2**

Thank you for purchasing a Sealey product. Manufactured to a high standard, this product will, if used according to these instructions, and properly maintained, give you years of trouble free performance.

IMPORTANT: PLEASE READ THESE INSTRUCTIONS CAREFULLY. NOTE THE SAFE OPERATIONAL REQUIREMENTS, WARNINGS & CAUTIONS. USE THE PRODUCT CORRECTLY AND WITH CARE FOR THE PURPOSE FOR WHICH IT IS INTENDED. FAILURE TO DO SO MAY CAUSE DAMAGE AND/OR PERSONAL INJURY AND WILL INVALIDATE THE WARRANTY. KEEP THESE INSTRUCTIONS SAFE FOR FUTURE USE.



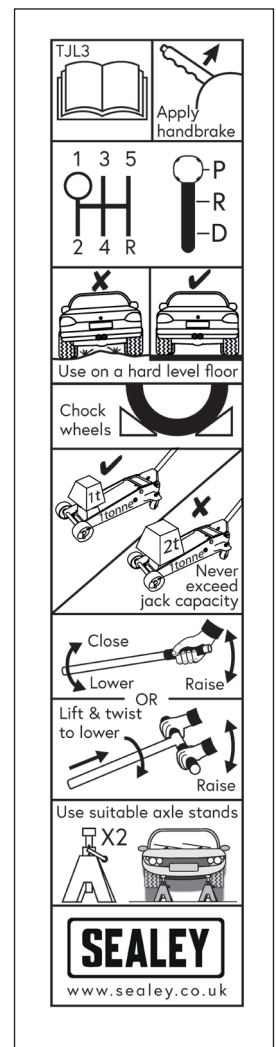
Refer to instructions



Wear safety footwear

1. SAFETY

- ❑ **WARNING!** Please note that the handle socket of this jack is retained under tension and must be released before use. Caution should be taken when releasing, as the handle socket will suddenly raise to its upright position if not controlled.
- ✓ The user shall work only in accordance with this instruction manual.
- ✓ The operator shall be provided with all necessary information about training and about pumping and translating forces.
- ✓ Ensure the jack is in sound condition and good working order. Take action for immediate repair or replacement of damaged parts. Use genuine parts only. **DO NOT** modify the jack. The use of non-genuine parts may be dangerous and will invalidate the warranty.
- ✓ Locate the jack in a suitable, well lit working area.
- ✓ Keep working area clean and tidy and free from unrelated materials. Use jack on level and solid ground, preferably concrete. Avoid tarmacadam as jack may sink in.
- ✓ Chock wheels of vehicle.
- ✓ Ensure the vehicle handbrake is engaged, engine is switched off and transmission is in gear (or "PARK" if automatic).
- ✓ Ensure minimum distance of 0.5m between vehicle and static objects such as doors, walls, etc. to allow for vehicle tilting.
- ✓ Ensure all non-essential persons keep a safe distance whilst the jack is in use.
- ✓ Ensure there are no passengers in the vehicle.
- ✓ It is necessary that the operator can watch the lifting device and the load during all movements.
- ✓ Place jack under only those lifting points recommended by vehicle manufacturer (see vehicle handbook).
- ✓ Check that the lifting point is stable and centred on the jack saddle.
- ✓ Ensure the jack wheels are free to move and that there are no obstructions.
- ▲ **DANGER:** Use the jack for lifting only, NOT for supporting the lifted load.
- ✓ Ensure there are no persons or obstructions beneath the vehicle before lowering.
- ✓ It is not allowed to work under the raised load until it is secured by suitable means. Use suitable axle stands under the vehicle before proceeding with any task.
- ✓ Use a qualified person to lubricate and maintain the jack.
- ✓ Ensure that only hydraulic jack oil is used in the jack.
- ✗ **DO NOT** operate the jack if damaged.
- ✗ **DO NOT** allow untrained persons to operate the jack.
- ✗ **DO NOT** operate the jack when tired or under the influence of drugs, alcohol or intoxicating medication.
- ✗ **DO NOT** exceed the rated capacity of the jack.
- ✗ **DO NOT** allow the vehicle to move during lifting or lowering, or use the jack to move the vehicle.
- ✗ **DO NOT** jack vehicle if there is a risk of spillage of fuel, battery acid, or other dangerous substances.
- ✗ **DO NOT** work under the vehicle until appropriately rated axle stands have been correctly positioned.
- ✗ **DO NOT** use the jack for purposes other than that for which it is intended.
- ✗ **DO NOT** top up hydraulic system with brake fluid. Use hydraulic jack oil only. (Sealey Part No: HJO500MLS or HJO5LS)
- ✗ **DO NOT** adjust the safety overload valve.
- ✓ When not in use store jack, fully lowered, in a safe, dry, childproof area.
- ✓ If more than 400N of effort is generated in lifting, the efforts shall be lowered by an additional person.
- ✓ Jacks shall be maintained and repaired in accordance with the manufacturer's instructions. Such maintenance and repair shall be carried out by qualified persons.
- ✓ No modifications shall be carried out which adversely affect the compliance of the jack with the standard.
- ✓ Check the state of the markings and that the markings remain as the initial one.



2. INTRODUCTION

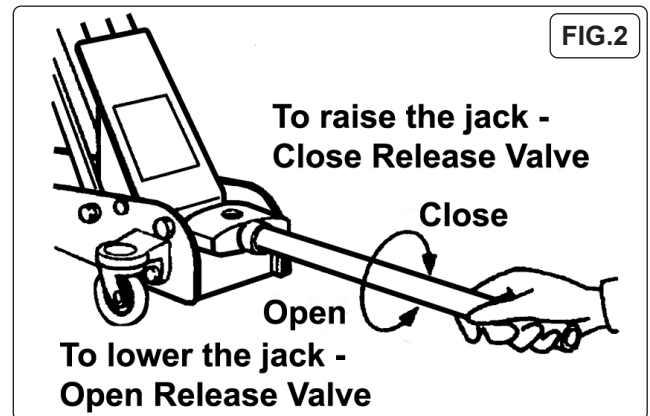
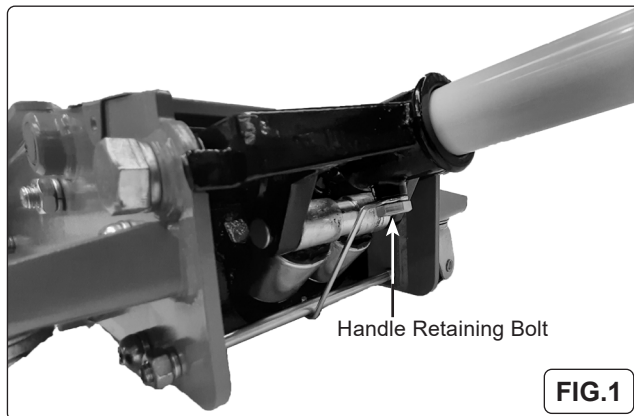
Single-piece hydraulic unit with heavy base design and large jacking saddle. Universal joint release mechanism allows safer, more controlled lowering of the jack. Rocket Lift feature brings lifting arm into contact with jacking point with just minimal pumps. Polyurethane wheels provide smoother manoeuvrability and help prevent damage to workshop floor. Magnetic wheel nut retention tray. Protective jack handle sleeve helps prevent accidental damage to car bodywork when pumping the handle. 3 Year Guarantee*.

3. SPECIFICATION

Model No: ..3040AB.V1, 3040AG.V2, 3040AO.V2, 3040AY.V2
Applicable Standards: EN 1494
Capacity 3 Tonne
Length: 740mm
Max. Chassis Height: 162mm

Max. Saddle Height: 533mm
Min. Saddle Height: 100mm
Consumable Parts:
..... Replacement Rubber Jack Pad - JP17

4. OPERATION



- ❑ **WARNING!** Before use ensure you have read, understood and applied Section 1 Safety precautions.
IMPORTANT: Before use, the operator is to visually inspect the jack for cracked welds, damaged or missing parts or hydraulic leaks.

4.1. RELEASING THE RETAINING CLIP (FIG.1)

- 4.1.1. Seek assistance from a second person if required.
- 4.1.2. Insert the lower handle section into the handle socket to aid in releasing pressure in the handle socket.
- 4.1.3. Push down on the handle and hold down while unscrewing the handle retaining bolt that is securing the handle socket in the down position.
- 4.1.4. Remove the clip from the bolt and the lower chassis bar.
- 4.1.5. Gently and in a controlled manner slowly allow the lower handle section and handle socket to raise to their upright position.
- 4.1.6. Replace the handle retaining bolt to secure the handle in the socket.

4.2. BEFORE USE

- 4.2.1. Insert the upper handle into the lower handle.
- 4.2.2. Insert the handle into the handle socket.
- 4.2.3. Tighten the handle retaining bolt.
- 4.2.4. Ensure the handle is secure and fully engaged with the release valve.

4.3. HYDRAULIC SYSTEM PURGING

- 4.3.1. Open the release valve by turning it one full turn counter-clockwise.
- 4.3.2. Pump the handle 20 times.
- 4.3.3. Close the release valve by turning it clockwise.

4.4. RAISING A VEHICLE

We recommend that efforts of raising the load shall be reduced by the use of assistance during this operation.

- 4.4.1. Ensure that the jack and the vehicle are on a hard, level surface.
- 4.4.2. Ensure that the vehicle handbrake is engaged and that the vehicle wheels are chocked.
- 4.4.3. Consult the vehicle manual to determine the location of jacking points.
- 4.4.4. Position the jack under a suitable lifting point.
- 4.4.5. Turn the slow release valve clockwise, to the closed position. **DO NOT** over-tighten.
- 4.4.6. Raise the vehicle to the desired height by pumping the handle up and down.
- 4.4.7. Place axle stands beneath the locations recommended by the vehicle manufacturer.
- 4.4.8. Turn the release valve slowly counter-clockwise to lower the vehicle on to the axle stands.

4.5. LOWERING A VEHICLE

- 4.5.1. Turn the release valve clockwise to the closed position.
- 4.5.2. Pump the handle to raise the vehicle off the axle stands.
- 4.5.3. Remove the axle stands from beneath the vehicle.
- 4.5.4. Turn the release valve counter-clockwise to lower the vehicle to the ground.

NOTE: This jack is fitted with a slow release mechanism for controlled descent. When not in use, leave the saddle and ram fully retracted.

5. MAINTENANCE

IMPORTANT: Only fully qualified personnel should attempt maintenance or repair.

Lubrication is critical to jacks. Any restriction due to dirt or rust can cause either slow or extremely rapid jack movement, causing damage to the internal components.

- ✓ Jacks shall be maintained and repaired in accordance with the manufacturer's instructions. Such maintenance and repair shall be carried out by qualified persons.
- ✓ No modifications shall be carried out which adversely affect the compliance of the jack with the standard.
- ✓ Check the state of the markings and that the markings remain as the initial one.

5.1. MONTHLY MAINTENANCE

- 5.1.1. Lubricate the ram, all of the pivot points, the linkages and the saddle and pump mechanism with light oil.
- 5.1.2. Grease the wheel bearings and axles.
- 5.1.3. Keep all jack surfaces and warning labels clean.
- 5.1.4. Check and maintain the ram oil level (see 5.3).

5.2. THREE MONTHLY MAINTENANCE

- 5.2.1. At three monthly intervals, check the ram for any signs of rust or corrosion.
- 5.2.2. Clean the ram as required and wipe with an oiled cloth.

5.3. CHECKING THE OIL LEVEL (FIG 3).

- 5.3.1. Fully retract the ram by turning the release valve counter-clockwise.
- 5.3.2. With the jack in the level position, remove the oil filler plug.
- 5.3.3. The oil should be level with the bottom of the oil filler hole. If it is not, top up with clean hydraulic jack oil.

NOTE: Use a good quality jack oil, such as SEALEY HYDRAULIC JACK OIL.

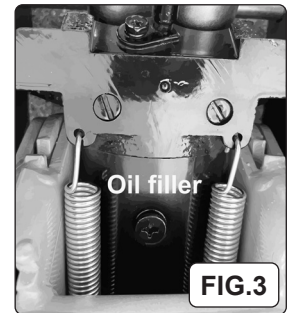
- ❑ **WARNING! DO NOT** use brake fluid or any fluid other than hydraulic jack fluid, as this may cause serious damage to the jack and will invalidate the warranty.

- 5.3.4. Replace the oil filler plug and check the jack operation.

- 5.3.5. Purge air from the hydraulic unit as required. Refer to Section 4.

NOTE: Store the jack in the fully lowered position to protect critical areas from excessive corrosion.

Owing to their size and weight, hydraulic products should ideally be repaired by local service agents. We have service / repair agents in most parts of the UK. Before returning your product please call our technical helpline on **01284 757505** for advice and troubleshooting guidance. If the jack is under guarantee please contact your stockist.



6. TROUBLESHOOTING

6.1. JACK WON'T LIFT

This is a common issue that can be caused by several factors such as low hydraulic fluid levels, air trapped in the hydraulic system, or a damaged O-ring seal. To fix this, you can try bleeding the jack and refilling it with the appropriate hydraulic fluid. If this doesn't work, you may need to replace the O-ring seal.

6.2. JACK DROPS SLOWLY

If your jack drops slowly, it could be due to a damaged handle or a worn-out release valve. You can check if the handle is correctly located into the jack socket and replace it if it's damaged. If the release valve is worn out, you may need to replace it as well.

6.3. JACK WON'T PUMP UP

If your jack won't pump up, it could be due to low hydraulic fluid levels or a damaged hydraulic system. You can try refilling the hydraulic fluid or replacing the hydraulic system.

6.4. JACK IS LEAKING OIL

If your jack is leaking oil, it could be due to a damaged O-ring seal or a loose bolt. You can try replacing the O-ring seal or tightening the bolts.

6.5. JACK IS MAKING STRANGE NOISES

If your jack is making strange noises, it could be due to air trapped in the hydraulic system or a damaged piston. You can try bleeding the jack and refilling it with the appropriate hydraulic fluid or replacing the piston.



ENVIRONMENT PROTECTION

Recycle unwanted materials instead of disposing of them as waste. All tools, accessories and packaging should be sorted, taken to a recycling centre and disposed of in a manner which is compatible with the environment. When the product becomes completely unserviceable and requires disposal, drain any fluids (if applicable) into approved containers and dispose of the product and fluids according to local regulations.



REGISTER YOUR PURCHASE HERE

Note: It is our policy to continually improve products and as such we reserve the right to alter data, specifications and component parts without prior notice. Please note that other versions of this product are available. If you require documentation for alternative versions, please email or call our technical team on technical@sealey.co.uk or 01284 757505.

Important: No Liability is accepted for incorrect use of this product.

Warranty: Guarantee is 3 years from purchase date, proof of which is required for any claim.

Sealey Group, Kempson Way, Suffolk Business Park, Bury St Edmunds, Suffolk. IP32 7AR

 01284 757500  sales@sealey.co.uk  www.sealey.co.uk