

Item	Part No.	Description	Qty
1	3290CX-V3-01	Lift Arm Assembly	1
2	3290CX.02	Handle	1
3	3290CX.03	Handle Socket	1
4	3290CX.04	Handle Bolt M10x19	1
5	3290CX.05	Plunger Pin	1
6	3290CX-V3-06	Side Plate	1
7	SWM12.SB	Spring Washer M12 Black	6
8	SN12.S	Steel Nut M12 Zinc	4
9	3290CX.09	Socket Head Cap Screw M12x20)	2
10	3290CX.10	Wheel, Swivel Castor, Single Bolt (D:60 W:30 B:10 H:105)	2
11	3290CX.11	Stud	1
12	3290CX.12	Bolt, Left M18x37	1
13	3290CX.13	Lock Washer M18	2
14	3290CX.14	Split Lock Washer M34	2
15	3290CX.15	Return Spring Dia 16.7mm	1
16	3290CX.16	External Circlip 25.8mm ID	4
17	3290CX.17	Arm Shaft	1

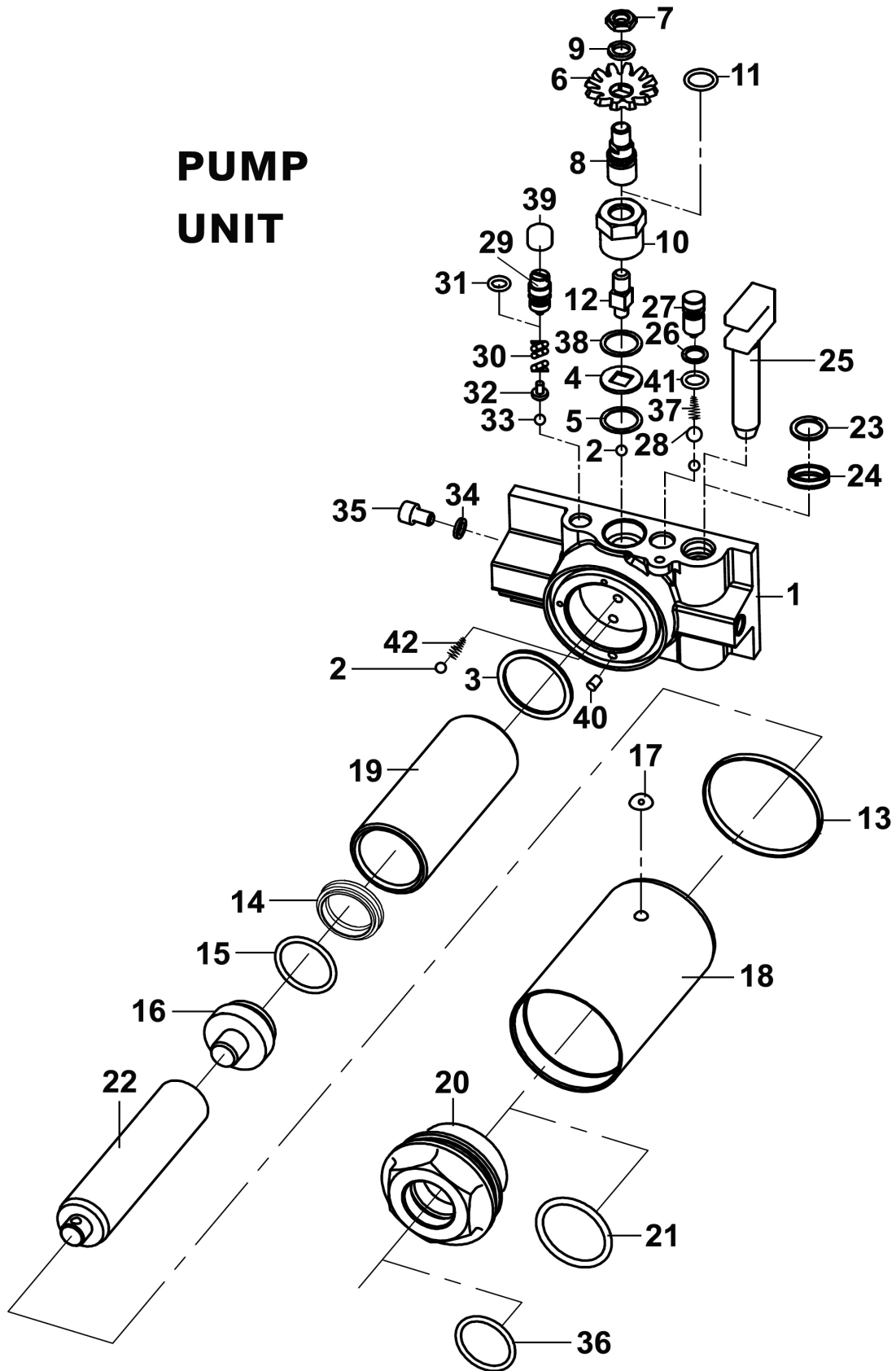
Item	Part No.	Description	Qty
18	3290CX.18	Bolt Link	2
19	3290CX.19	Sealing Ring (25mm od x 16.5mm id x 0.6mm)	2
20	3290CX.20	Lock Washer M14	2
21	3290CX.21	Half Nut M16 BZP	2
22	3290CX.22	Saddle Shaft	1
23	3290CX.23	Saddle, White Serrated, Deep (F) Ø 110mm	1
24	3290CX.24	Power Unit Assembly	1
25	3290CX.25	Cotter Pin 4x45mm	1
26	3290CX.26	Retaining Ring	2
27	3290CX.27	Wheel, Fixed (Black) (D:65 W:40 B:20)	2
28	3290CX.28	External Circlip 17.4mm ID	1
29	3290CX.29	Return Spring Dia 15.3mm	1
30	3290CX.30	Block	1
31	3290CX.31	Bolt M18x58.5mm	1
--	3290CX.RK	Repair Kit (Not Shown)	1

NOTE: It is our policy to continually improve products and as such we reserve the right to alter data, specifications and component parts without prior notice. There may be alternative versions of this product, please contact us should you require this information.

IMPORTANT: No liability is accepted for incorrect use of product. Spare parts must be fitted by a competent person

WARRANTY: Guarantee is 12 months from purchase date, proof of which will be required for any claim.

PUMP UNIT



NOTE: It is our policy to continually improve products and as such we reserve the right to alter data, specifications and component parts without prior notice. There may be alternative versions of this product, please contact us should you require this information.

IMPORTANT: No liability is accepted for incorrect use of product. Spare parts must be fitted by a competent person

WARRANTY: Guarantee is 12 months from purchase date, proof of which will be required for any claim.



Parts Information:
Roadmaster Trolley Jack 3 Tonne
Model No: 3290CX.V3

Item	Part No.	Description	Qty
1	3290CX.P01	Base Plate	1
2	3290CX.P02	Steel Ball 6mm	2
3	3290CX.P03	Plastic Ring 46x26x1mm	1
4	3290CX.P04	Washer With Square Centre 22x11x2mm	1
5	3290CX.P05	Aluminium Washer 22x17x1mm	1
6	3290CX.P06	Gear	1
7	3290CX.P07	Lock Nut M10	1
8	3290CX.P08	Valve Connect	1
9	3290CX.P09	Washer M10	1
10	3290CX.P10	Valve Nut	1
11	RJAS2500V2P43	O-Ring, (Ex: 66.98 In: 59.92 Cs: 3.53)	1
12	3290CX.P12	Release Core	1
13	3290CX.P13	Seal Ring	1
14	3290CX.P14	Seal Ring	1
15	3290CX.P15	White Nylon Bowl Washer	1
17	3290CX.P17	Oil filler plug	1
18	3290CX.P18	Reservoir	1
19	3290CX.P19	Cylinder	1
20	3290CX.P20	Top Cap	1
21	3290CX.P21	O-Ring, (Ex: 23.17 In: 15.70 Cs: 3.74)	1
22	3290CX.P22	Piston Rod Ass'y	1

Item	Part No.	Description	Qty
23	3290CX.P23	Plastic Ring	1
24	3290CX.P24	Seal	1
25	3290CX.P25	Plunger	1
26	3290CX.P26	Returning Ring	1
27	3290CX.P27	Release Valve Nut	1
28	3290CX.P28	Steel Ball 9mm	1
29	3290CX.P29	Safety Valve Nut	1
30	3290CX.P30	Safety Valve Spring Conical	1
31	MS156.05	O-Ring, (Ex: 35.23 In: 28.17 Cs: 3.53)	1
32	3290CX.P32	Spring Base	1
33	3290CX.P33	Steel Ball 3mm	1
34	3290CX.P34	Plastic Ring	1
35	3290CX.P35	Nut	1
36	SA695.13	O-Ring, (Ex: 16.01 In: 10.77 Cs: 2.62)	1
37	3290CX.P37	Spring Conical	1
38	SWM8.S	Washer M8	1
39	3290CX.P39	Safety Valve Cover	1
40	3290CX.P40	Oil Filter Screen	1
41	WK025.V2-31	O-Ring, (Ex: 14.43 In: 9.19 Cs: 2.62)	1
42	3290CX.V2-P42	Spring	1

NOTE: It is our policy to continually improve products and as such we reserve the right to alter data, specifications and component parts without prior notice. There may be alternative versions of this product, please contact us should you require this information.

IMPORTANT: No liability is accepted for incorrect use of product. Spare parts must be fitted by a competent person

WARRANTY: Guarantee is 12 months from purchase date, proof of which will be required for any claim.

Sealey Group, Kempson Way, Suffolk Business Park, Bury St Edmunds, Suffolk. IP32 7AR



01284 757500



sales@sealey.co.uk



www.sealey.co.uk