



SWIVEL HEAD 2-IN-1 RIVETER

MODEL NO: **AK3992**

Thank you for purchasing a Sealey product. Manufactured to a high standard, this product will, if used according to these instructions, and properly maintained, give you years of trouble free performance.

IMPORTANT: PLEASE READ THESE INSTRUCTIONS CAREFULLY. NOTE THE SAFE OPERATIONAL REQUIREMENTS, WARNINGS & CAUTIONS. USE THE PRODUCT CORRECTLY AND WITH CARE FOR THE PURPOSE FOR WHICH IT IS INTENDED. FAILURE TO DO SO MAY CAUSE DAMAGE AND/OR PERSONAL INJURY AND WILL INVALIDATE THE WARRANTY. KEEP THESE INSTRUCTIONS SAFE FOR FUTURE USE.



Refer to instructions



Wear eye protection

1. SAFETY

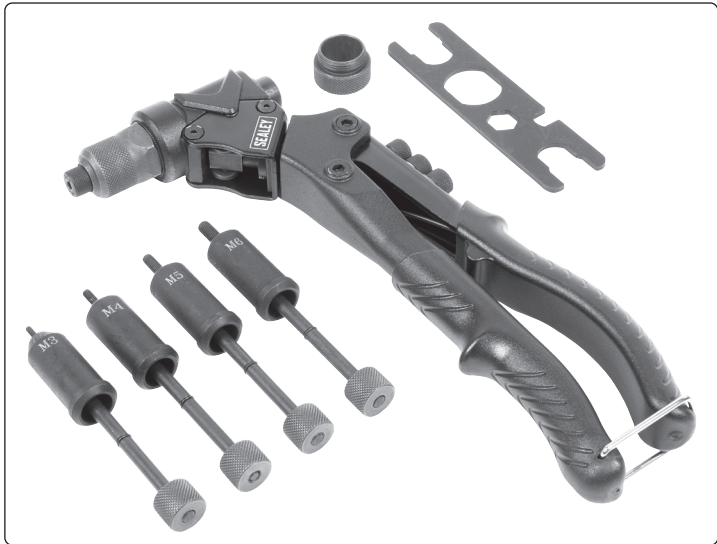
- ❑ **WARNING!** Ensure Health & Safety, local authority and general workshop practice regulations are adhered to when using this equipment.
- ✓ Familiarise yourself with the application and the limitations of the riveter, as well as the potential hazards.
- ✓ Maintain the riveter in good condition (use an authorised service agent).
- ✓ Replace or repair damaged parts. Use genuine parts only. Unauthorised parts may be dangerous and will invalidate the warranty.
- ✓ Keep the work area clean, uncluttered and ensure there is adequate lighting.
- ✓ Keep the riveter clean for best and safest performance.
- ✓ Check moving parts alignment on a regular basis.
- ✗ **DO NOT** hold the workpiece by hand. Secure unstable workpiece with a clamp, vice or other adequate holding device.
- ✓ Ensure the workpiece is correctly secured before using the riveter.
- ✗ **DO NOT** use the riveter for any purpose other than that it was designed for.
- ✗ **DO NOT** operate the riveter if any parts are damaged or missing, as this may cause failure and/or personal injury.
- ✓ When not in use store in a safe, dry, childproof location.

2. INTRODUCTION

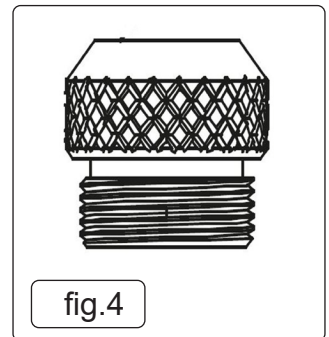
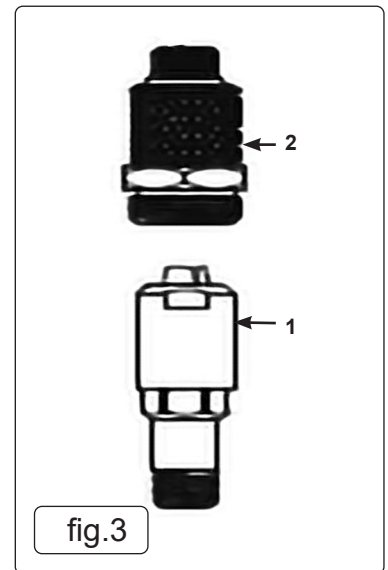
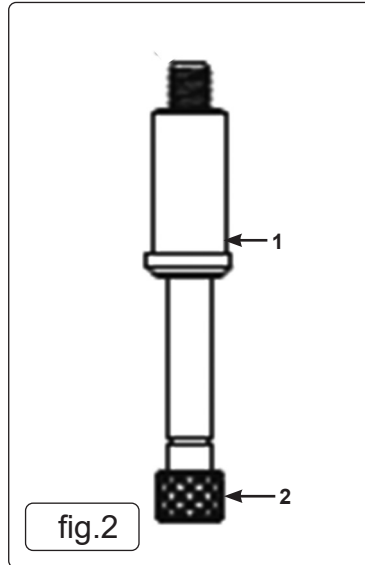
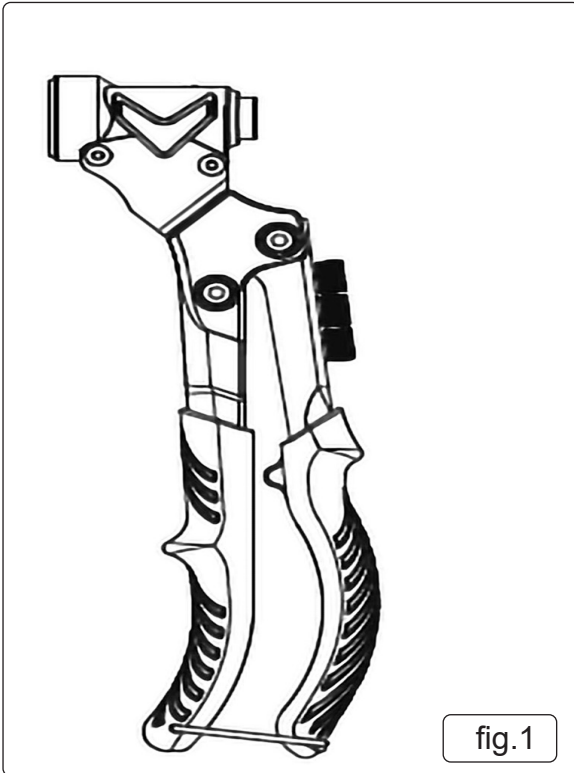
360° Swivel head gives greatly improved accessibility. Four nozzles for standard rivets and four mandrels for rivet nuts. Pressed steel body with cast swivel head and Chrome Molybdenum steel jaws. Rubber grip handle for added comfort. Supplied with nozzle spanner.

3. SPECIFICATION

Model no.:..... **AK3992**
Includes: Four nozzles for standard rivets (2.4mm(3/32"), 3.2mm(1/8"), 4mm(5/32") and 4.8mm(3/16") and four mandrels for rivet nuts. (M3, M4, M5, M6)
Length:..... 275mm
Rivet Types: Aluminium -Yes, Steel -Yes, Stainless Steel - Yes



4. OPERATION



- 4.1. RIVETING (fig.3)**
- 4.1.1. Screw collet (fig.3.1) firmly into Riveter body (fig.1).
 - 4.1.2. Screw sleeve (fig.3.2) firmly into Riveter body (fig.1).
 - 4.1.3. Select the appropriate nosepiece to suit the size of rivet being used and screw into sleeve (fig 3.2).
- 4.2. RIVET NUT (fig.2)**
- 4.2.1. Insert nut sleeve (fig.2.1) into Riveter body (fig.1).
 - 4.2.2. Screw sleeve fixing nut (fig.4) firmly into Riveter body (fig.1).
 - 4.2.3. Select the appropriate rivet nut pull rod (fig.2.2) to suit the size of rivet nut being used and insert into rear of Riveter body.



ENVIRONMENT PROTECTION

Recycle unwanted materials instead of disposing of them as waste. All tools, accessories and packaging should be sorted, taken to a recycling centre and disposed of in a manner which is compatible with the environment. When the product becomes completely unserviceable and requires disposal, drain any fluids (if applicable) into approved containers and dispose of the product and fluids according to local regulations.

Note: It is our policy to continually improve products and as such we reserve the right to alter data, specifications and component parts without prior notice.

Important: No Liability is accepted for incorrect use of this product.

Warranty: Guarantee is 12 months from purchase date, proof of which is required for any claim.

Sealey Group, Kempson Way, Suffolk Business Park, Bury St Edmunds, Suffolk. IP32 7AR



01284 757500



01284 703534



sales@sealey.co.uk



www.sealey.co.uk