





Parts Information:  
Oil Dispensing System Air Operated  
Model No: AK4561D.V2

Item	Part No.	Description
1	AK4560D.01	Air Motor Cover
2	AK4560D.02	Piston
3	AK4560D.03	Air Motor Shell Inner
4	AK4560D.04	Air Motor Shell Outer
5	AK4560D.05	Bracket
6	AK4560D.06	Air Control Centre
7	AK4560D.07	Slider
8	AK4560D.08	Gasket
9	AK4560D.09	Soft Gasket
10	AK4560D.10	Square Hole Securing Washer
11	AK4560D.11	Bracket
12	AK4560D.12	Washer
13	AK4560D.13	Connect Tube
14	AK4560D.14	Suction Tube 850mm x 42mm (OD)
15	AK4560D.15	Spring Circlip
16	AK4560D.16	Valve Seat
17	AK4560D.17	Filter or Connector
18	AK4560D.18	Piston
19	AK4560D.19	Connecting Shell
20	AK4560D.20	Connect Shaft
21	AK4560D.21	Connect Shell
22	AK4560D.22	Middle Shaft
23	AK4560D.23	Air Centre Cover
24	AK4560D.24	Slider Shell
25	AK4560D.25	Piston Shaft
26	FWM10.S	Flat Washer M10

Item	Part No.	Description
27	AK4560D.27	Spring Shell
28	AK4560D.28	Spring
29	AK4560D.29	Spring Seat
30	AK4560D.30	Trip Shoe Guide
31	AK4560D.31	Press Piece
32	AK4560D.32	Nut
33	AK4560D.33	Outlet
98	AK4560D.98	Pin
99	SA51/08	Spring Pin M3 x 20mm
100	SB-21.4	Steel ball 21.4mm
101	AK4560D.101	Internal Circlip 17.4mm
102	SB-16.0	Steel Ball 16.0mm
103	MSP410.S	Machine Screw Pan Head Phillips M4 x 10mm
205	AK453X.V3-P03	O-Ring (66.84 x 61.60 x 2.62)
206	SA342.12	O-Ring (14.38 x 10.82 x 1.78)
207	AK4560D.207	Silencer
208	SA686.36	O-Ring (22.33 x 18.77 x 1.78)
209	AK4560D.209	O-Ring (71.58 x 66.34 x 2.62)
210	AK453X.V3-P49	O-Ring (46.18 x 40.94 x 2.62)
211	MT700.V2-R10	O-Ring (25.53 x 20.29 x 2.62)
212	SA141.24	O-Ring (28.68 x 25.12 x 1.78)
213	AK4560D.213	O-Ring (41.41 x 36.17 x 2.62)
214	AK4560D.214	Seal
215	AK4560D.215	Guiding
216	AK4560D.216	Quick Coupling
217	AK4560D.217	Od Seal

**NOTE:** It is our policy to continually improve products and as such we reserve the right to alter data, specifications and component parts without prior notice. There may be alternative versions of this product, please contact us should you require this information.

**IMPORTANT:** No liability is accepted for incorrect use of product. Spare parts must be fitted by a competent person

**WARRANTY:** Guarantee is 12 months from purchase date, proof of which will be required for any claim.

Sealey Group, Kempson Way, Suffolk Business Park, Bury St Edmunds, Suffolk. IP32 7AR



01284 757500



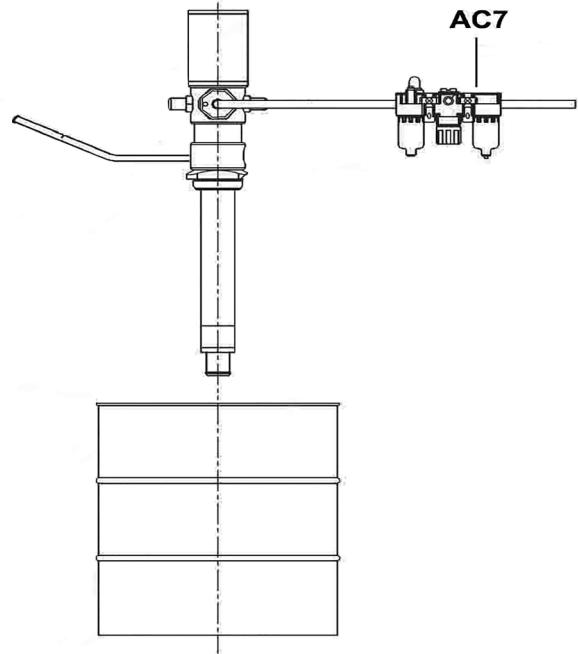
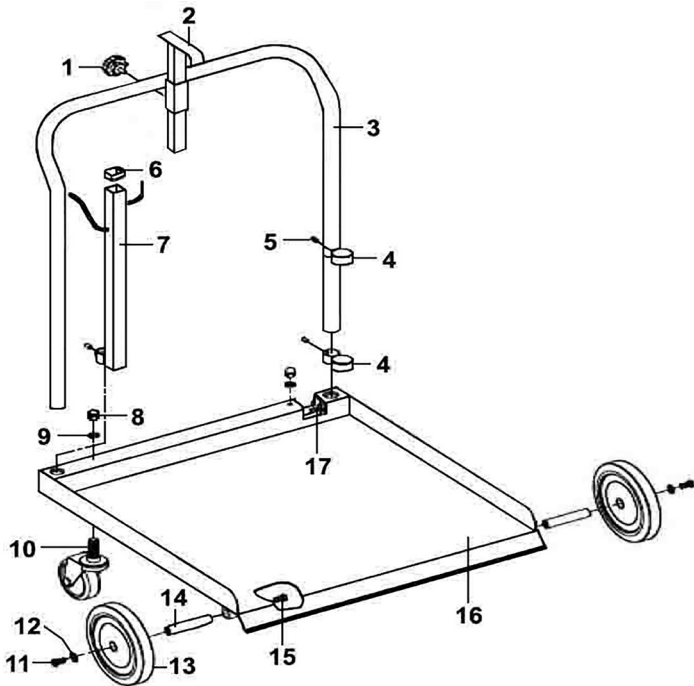
01284 703534



sales@sealey.co.uk

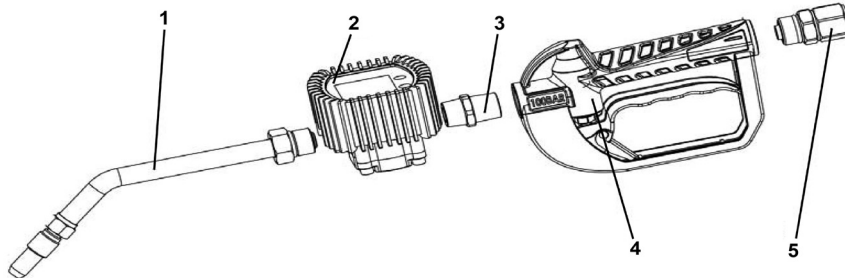


www.sealey.co.uk



Item	Part No.	Description
1	AK4561D.01	Adjusting Knob
2	AK4562D.02	Drum Holder Support
3	AK4561D.03	Handle
4	AK4562D.04	Pump Support
5+17	GSM1010.S	Grub Screw M10 x 10mm
6	AK4562D.06	End Cap
7	AK4562D.07	Accessories Support
8	SN10.SD	Steel Nut M10 Domed
9	FWM10.S	Flat Washer M10
10	AK4561D.10	Wheel, Swivel Castor (75 x 25 x 8 x 165) (Pre 2014)
10	AK4561D.10N	Wheel, Swivel Castor (75 x 25 x 8 x 150) (Post 2014)

Item	Part No.	Description
11	SFS816.S	Hex Head Flange Bolt M8 x 16mm
12	RW838.S	Repair Washer M8 X 38 Zinc
13	AK4561D.13	Wheel, Fixed Rubber (Pre 2014)
13	AK4561D.13N	Wheel, Fixed Nylon (Post 2014)
14	AK4561D.14	Axle
15	SS645.S	Hex Head Set Screw M6 X 45 Zinc
16	AK4561D.16	Trolley Base (Pre 2014)
16	AK4561D.16N	Trolley Base (Post 2014)
AC7	AK4560D.AC7	Regulator/Lubricator/Filter Assembly
65D	AK4565D	Oil Hose End Gun with Digital Meter ***See Diagram Below***



Item	Part No.	Description
1	AK4565D.V2-01	Flexible Nozzle
2	AK4565D.V2-02	Digital Meter
3	AK4565D.V2-03	Union Adaptor

Item	Part No.	Description
4	AK4565D.V2-04	Gun Handle
5	AK4565D.V2-05	Swivel Fitting 1/2"

**NOTE:** It is our policy to continually improve products and as such we reserve the right to alter data, specifications and component parts without prior notice. There may be alternative versions of this product, please contact us should you require this information.

**IMPORTANT:** No liability is accepted for incorrect use of product. Spare parts must be fitted by a competent person

**WARRANTY:** Guarantee is 12 months from purchase date, proof of which will be required for any claim.