



# TOPCHEST/MID-BOX/ROLLCAB - HEAVY DUTY

MODEL NO: **AP6601, AP6610, AP6612.V2**

Thank you for purchasing a Sealey product. Manufactured to a high standard, this product will, if used according to these instructions, and properly maintained, give you years of trouble free performance.

**IMPORTANT:** PLEASE READ THESE INSTRUCTIONS CAREFULLY. NOTE THE SAFE OPERATIONAL REQUIREMENTS, WARNINGS & CAUTIONS. USE THE PRODUCT CORRECTLY AND WITH CARE FOR THE PURPOSE FOR WHICH IT IS INTENDED. FAILURE TO DO SO MAY CAUSE DAMAGE AND/OR PERSONAL INJURY AND WILL INVALIDATE THE WARRANTY. KEEP THESE INSTRUCTIONS SAFE FOR FUTURE USE.



Refer to instruction manual

## 1. SAFETY

- ❑ **WARNING!** Ensure Health & Safety, local authority, and general workshop practice regulations are adhered to when using these units. Locate the units in a suitable work area. Keep the work area clean, uncluttered and ensure there is adequate lighting.
- ✓ Use the Rollcab on level and solid ground, preferably concrete.
- ✓ Keep the units clean and tidy in accordance with good workshop practice.
- ✓ Keep children and unauthorised persons away from the work area.
- ✗ **DO NOT** use these units for any purpose other than that for which they are designed.
- ✗ **DO NOT** use the units outdoors.
- ✗ **DO NOT** place the units in a damp or wet location or an area where there is condensation.
- ✗ **DO NOT** clean the units with any solvents which may damage the surfaces or the protective coating.
- ✗ **DO NOT** move the units with the drawers out. To avoid tipping, open one drawer at a time and close and secure all drawers whilst moving the rollcab.
- ✗ **DO NOT** step on the drawers.
- ✗ **DO NOT** overload the drawers, weight limit per drawer is 36kg.

## 2. INTRODUCTION

All heavy gauged steel construction and manufactured with steel inner walls for extra strength and durability. Heavy-duty 45mm ball-bearing drawer slides provide superior performance and carry heavier loads. Full height rear locking mechanism, locks full-length drawers in multiple locations. Added security provided by tumbler lock, supplied with two folding keys. Rust and solvent resistant powder coat paint finish. Each drawer features aluminium drawer pulls and non-slip liners.

## 3. SPECIFICATION

### TOPCHEST

**Model No:**..... **AP6610**  
**Overall Size:**..... 1655 x 435 x 495mm  
**Small Drawer (x4):** ..... 1200 x 405 x 50mm  
**Full Width Large Drawer (x1):** ..... 1200 x 405 x 130mm  
**Small 1/2 Drawer (x4):** ..... 325 x 405 x 50mm  
**Large 1/2 Drawer (x1):** ..... 325 x 405 x 130mm

### MID-BOX

**Model No:**..... **AP6601**  
**Overall Size:**..... 1665 x 440 x 170mm  
**Full Width Large Drawer (x1):** ..... 1570 x 405 x 105mm

### ROLLCAB

**Model No:**..... **AP6612.V2**  
**Overall Size:**..... 1680 x 465 x 1005mm  
**Large Drawer (x1):** ..... 1570 x 405 x 105mm  
**Small Drawer (x5):** ..... 1200 x 405 x 50mm  
**Large Drawer (x1):** ..... 1200 x 405 x 130mm  
**Small 1/2 Drawer (x4):** ..... 325 x 405 x 50mm  
**X-Large 1/2 Drawer (x1):** ..... 325 x 405 x 235mm



## 4. ASSEMBLY AND USE

**NOTE:** These units are heavy, obtain the help of at least one other person before attempting to unpack them.

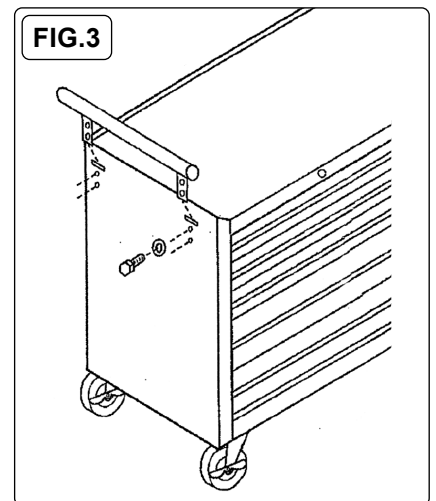
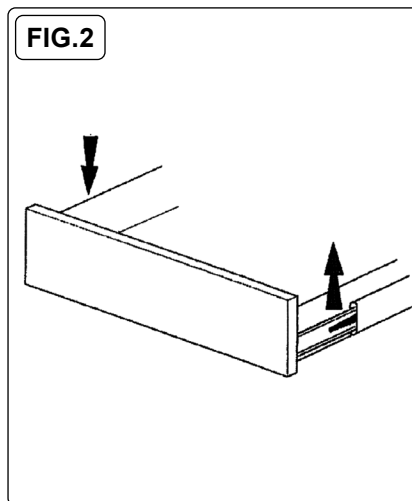
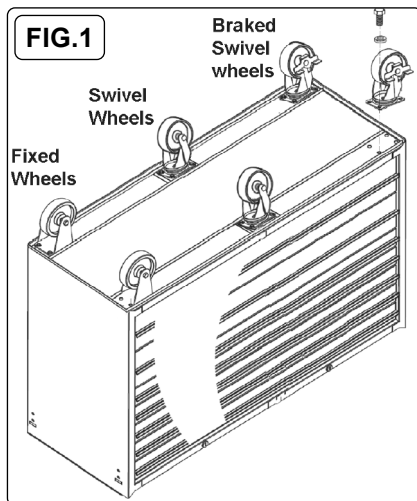
### 4.1. AP6612.V2

- 4.1.1. Attach the wheels to the bottom of the rollcab using 4 bolts, washers and spacers (if supplied) per wheel.
- 4.1.2. The braked swivel wheels should be mounted on the same end as the handle (left hand side), the normal swivel wheels in the middle and the locked wheels at the far end (fig.1).
- 4.1.3. Mount the side mounted handle onto the cabinet and attach with 4 bolts and washers (fig.3).

### 4.2. ALL UNITS

- 4.2.1. AP6610 or AP6601 can be placed on top of AP6612.V2, alternatively all 3 units can be assembled together.
- 4.2.2. To remove a drawer with roller sliders, pull the drawer completely out, press down the left tab and lift up the right tab, pull drawer off the slides (fig.2).
- 4.2.3. To reinstall the drawer, realign with the internal drawer slide and push until it locks in place.

**IMPORTANT:** To avoid tipping, open one drawer at a time and close and secure all drawers whilst moving the rollcab/units.  
Periodically lubricate wheel axles and tighten all nuts and bolts.



### ENVIRONMENT PROTECTION

Recycle unwanted materials instead of disposing of them as waste. All tools, accessories and packaging should be sorted, taken to a recycling centre and disposed of in a manner which is compatible with the environment. When the product becomes completely unserviceable and requires disposal, drain any fluids (if applicable) into approved containers and dispose of the product and fluids according to local regulations.



REGISTER YOUR PURCHASE HERE

**Note:** It is our policy to continually improve products and as such we reserve the right to alter data, specifications and component parts without prior notice. Please note that other versions of this product are available. If you require documentation for alternative versions, please email or call our technical team on [technical@sealey.co.uk](mailto:technical@sealey.co.uk) or 01284 757505.

**Important:** No Liability is accepted for incorrect use of this product.

**Warranty:** Guarantee is 5 years from purchase date, proof of which is required for any claim.

Sealey Group, Kempson Way, Suffolk Business Park, Bury St Edmunds, Suffolk. IP32 7AR



01284 757500



[sales@sealey.co.uk](mailto:sales@sealey.co.uk)



[www.sealey.co.uk](http://www.sealey.co.uk)