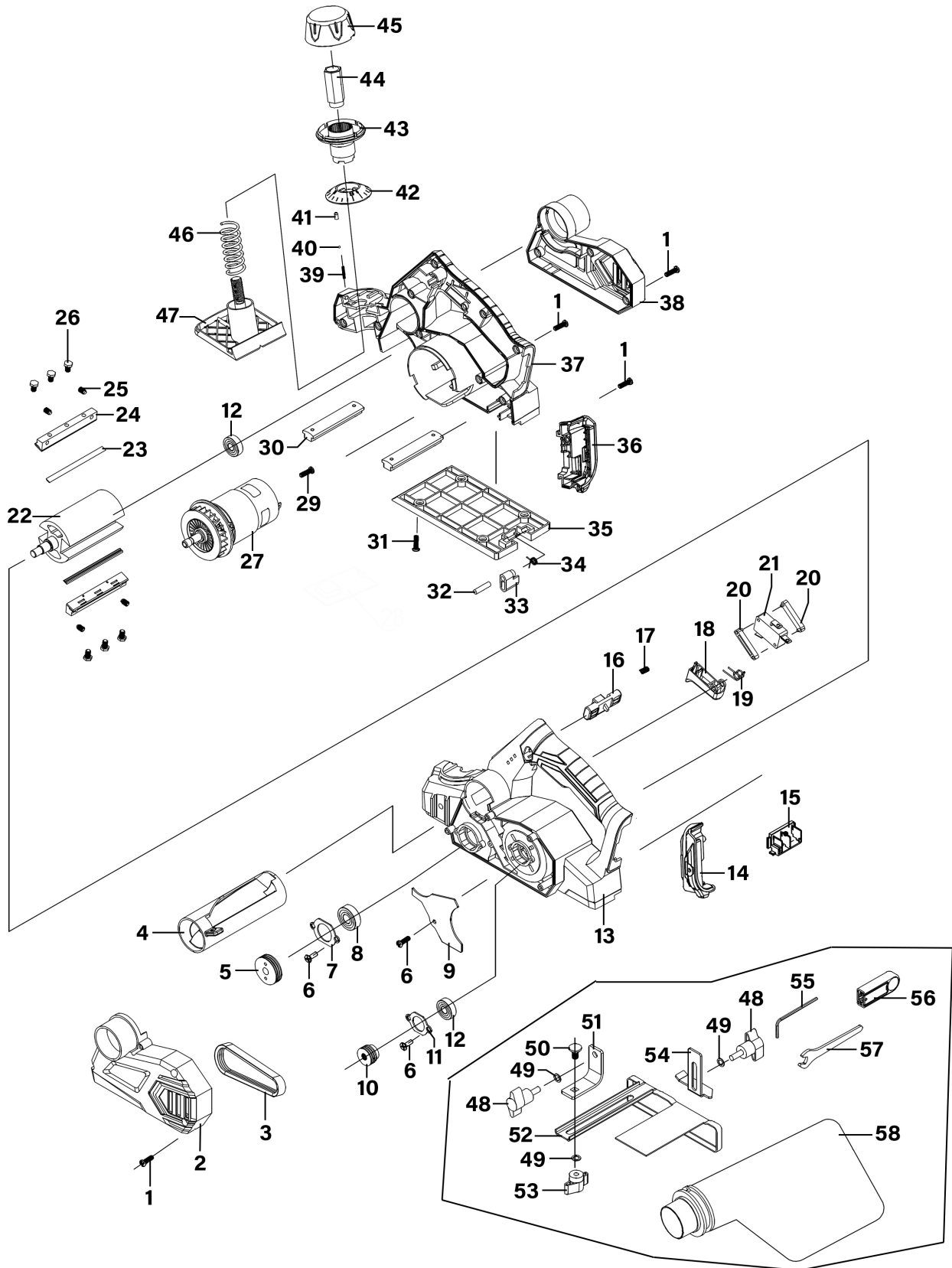




Parts Information:
Cordless Planer 20V SV20 Series 82mm -
Body Only
Model No: CP20VEP



NOTE: It is our policy to continually improve products and as such we reserve the right to alter data, specifications and component parts without prior notice. There may be alternative versions of this product, please contact us should you require this information.

IMPORTANT: No liability is accepted for incorrect use of product. Spare parts must be fitted by a competent person

WARRANTY: Guarantee is 12 months from purchase date, proof of which will be required for any claim.

Sealey Group, Kempson Way, Suffolk Business Park, Bury St Edmunds, Suffolk. IP32 7AR



01284 757500



sales@sealey.co.uk



www.sealey.co.uk



Parts Information:
**Cordless Planer 20V SV20 Series 82mm -
Body Only**
Model No: CP20VEP

Item	Part No.	Description	Qty
1	CP20VEP-01	Self-Tapping Screw ST4 x 14	20
2	CP20VEP-02	Drive Belt Cover	1
3	CP20VEP-03	Drive Belt	1
4	CP20VEP-04	Outlet Tube for Dust Collection Bag	1
5	CP20VEP-05	Drive Belt Pulley (Large)	1
6	CP20VEP-06	Self-Tapping Screw ST4 x 12	5
7	CP20VEP-07	Bearing Cover (A)	1
8	B/6000-2RS	Bearing 6000-2rs	1
9	CP20VEP-09	Dust Baffle	1
10	CP20VEP-10	Drive Belt Pulley (Small)	1
11	CP20VEP-11	Bearing Cover (B)	1
12	B/608-2RS	Bearing 608-2rs	2
13	CP20VEP-13	Housing, Left Side	1
14	CP20VEP-14	Battery Connection Cover (A)	1
15	CP20VEP-15	Battery Connection	1
16	CP20VEP-16	Self-Lock Lever	1
17	CP20VEP-17	Spring Self-Lock Lever	1
18	CP20VEP-18	Switch Button	1
19	CP20VEP-19	Torsion Spring	1
20	CP20VEP-20	Microswitch Base	2
21	CP20VEP-21	Microswitch	1
22	CP20VEP-22	Roller	1
23	CP20VEP-23	Blade	2
24	CP20VEP-24	Clamping Plate	2
25	CP20VEP-25	Fastening Screw M5x10	4
26	SS58.S	Hex Head Set Screw M5 X 8 Zinc	6
27	CP20VEP-27	Motor	1
29	CP20VEP-29	Self-Tapping Screw ST4 x 10	2
30	CP20VEP-30	Support Bar	2

Item	Part No.	Description	Qty
31	CP20VEP-31	Self-Tapping Screw ST4 x 12	4
32	CP20VEP-32	Cylindrical Pin 5 x 32	1
33	CP20VEP-33	Pivot for Base	1
34	CP20VEP-34	Torsion Spring	1
35	CP20VEP-35	Base	1
36	CP20VEP-36	Battery Connection Cover (B)	1
37	CP20VEP-37	Housing, Right Side	1
38	CP20VEP-38	Rear Cover	1
39	CP20VEP-39	Torsion Spring	1
40	SB-2.5	Steel ball 2.5mm	1
41	CP20VEP-41	Pin	1
42	CP20VEP-42	Depth Scale	1
43	CP20VEP-43	Adjustment Knob	1
44	CP20VEP-44	Adjustment Nut	1
45	CP20VEP-45	Adjustment Knob Cover	1
46	CP20VEP-46	Adjustment Spring	1
47	CP20VEP-47	Front Base	1
48	CP20VEP-48	Butterfly Screw	2
49	FWM12.S	Flat Washer M12 Zinc	3
50	CP20VEP-50	Square Neck Bolt M6x12	1
51	CP20VEP-51	Parallel Guide Ruler	1
52	CP20VEP-52	Planer Edge Guide	1
53	CP20VEP-53	Butterfly Nut M6	1
54	CP20VEP-54	Planer Depth Guide	1
55	CP20VEP-55	Hex Key	1
56	CP20VEP-56	Storage Box	1
57	CP20VEP-57	Spanner	1
58	CP20VEP-58	Dust Collection Bag	1

NOTE: It is our policy to continually improve products and as such we reserve the right to alter data, specifications and component parts without prior notice. There may be alternative versions of this product, please contact us should you require this information.

IMPORTANT: No liability is accepted for incorrect use of product. Spare parts must be fitted by a competent person

WARRANTY: Guarantee is 12 months from purchase date, proof of which will be required for any claim.

Sealey Group, Kempson Way, Suffolk Business Park, Bury St Edmunds, Suffolk. IP32 7AR



01284 757500



sales@sealey.co.uk



www.sealey.co.uk