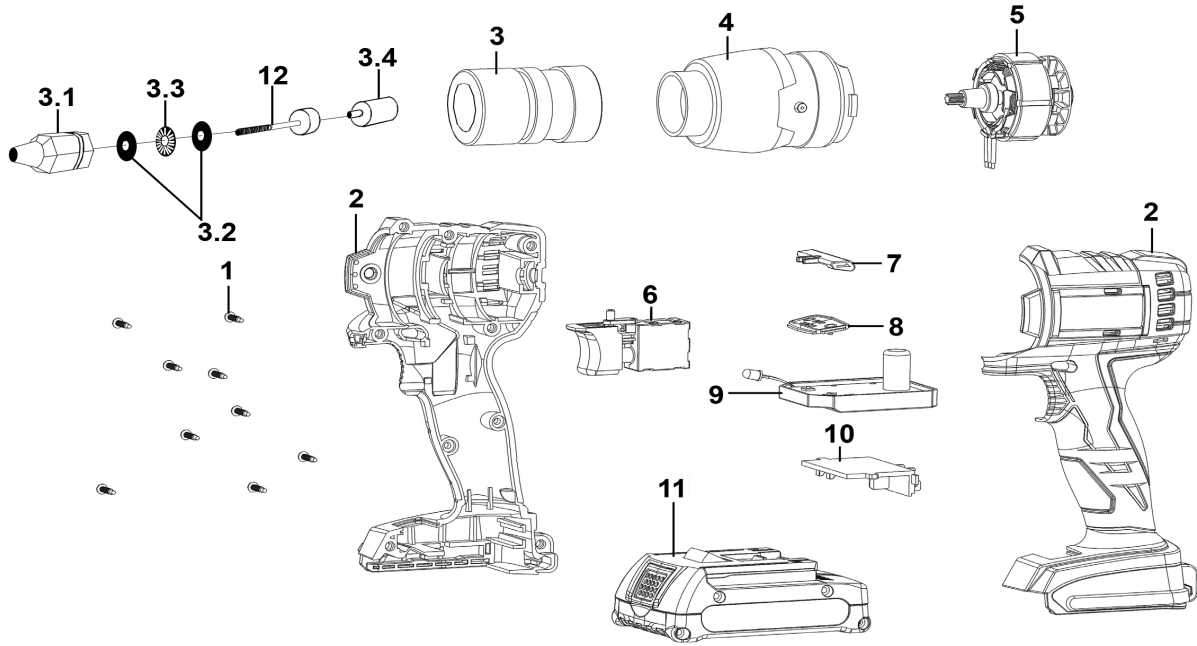




Parts Information:
**Brushless Cordless Nut Riveter 20V 2Ah
 Lithium-ion
 Model No: CP316**



Item	Part No.	Description
1	CRM15.V5-20	Rd Head S/T Screw M3 x 12mm
2	CP316.02	Casing Complete
3	CP316.03	Frame Head Assembly
3.1	CP316-03A-01	Frame Head Nosepiece M3
--	CP316-03B-01	Frame Head Nosepiece M4
--	CP316-03C-01	Frame Head Nosepiece M5
--	CP316-03D-01	Frame Head Nosepiece M6
--	CP316-03E-01	Frame Head Nosepiece M8
--	CP316-03F-01	Frame Head Nosepiece M10
--	CP316-03G-01	Frame Head Nosepiece M12
3.2	CP316-03A-02	Spacer M3
--	CP316-03B-02	Spacer M4
--	CP316-03C-02	Spacer M5
--	CP316-03D-02	Spacer M6
--	CP316-03E-02	Spacer M8
--	CP316-03F-02	Spacer M10
--	CP316-03G-02	Spacer M12
3.3	CP316-03A-03	Bearing Race M3
--	CP316-03B-03	Bearing Race M4
--	CP316-03C-03	Bearing Race M5
--	CP316-03D-03	Bearing Race M6
--	CP316-03E-03	Bearing Race M8
--	CP316-03F-03	Bearing Race M10
--	CP316-03G-03	Bearing Race M12
3.4	CP316-03A-04	Adaptor M3

Item	Part No.	Description
--	CP316-03B-04	Adaptor M4
--	CP316-03C-04	Adaptor M5
--	CP316-03D-04	Adaptor M6
--	CP316-03E-04	Adaptor M8
--	CP316-03F-04	Adaptor M10
--	CP316-03G-04	Adaptor M12
4	CP316.04	Gearbox Assembly
5	CP316.05	Brushless Motor
6	CP316.06	Switch
7	CP316.07	Switch Button Selector
8	CP316.08	Speed Control Keypad
9	CP316.09	PCB Assembly 66 x 52mm (c/w 2 x Micro Switch)
10	CP316.10	Battery Connection
11	CP3BP	Lithium-Ion Battery 20V 2Ah
12	CP316.12A	Threaded Mandrel M3
--	CP316.12B	Threaded Mandrel M4
--	CP316.12C	Threaded Mandrel M5
--	CP316.12D	Threaded Mandrel M6
--	CP316.12E	Threaded Mandrel M8
--	CP316.12F	Threaded Mandrel M10
--	CP316.12G	Threaded Mandrel M12
--	CP3.MC	Mains Charger (Not Shown)
--	CP316.SC	Durable Plastic Storage Case (Not Shown)

NOTE: It is our policy to continually improve products and as such we reserve the right to alter data, specifications and component parts without prior notice. There may be alternative versions of this product, please contact us should you require this information.

IMPORTANT: No liability is accepted for incorrect use of product. Spare parts must be fitted by a competent person

WARRANTY: Guarantee is 12 months from purchase date, proof of which will be required for any claim.

Sealey Group, Kempson Way, Suffolk Business Park, Bury St Edmunds, Suffolk. IP32 7AR



01284 757500



sales@sealey.co.uk



www.sealey.co.uk