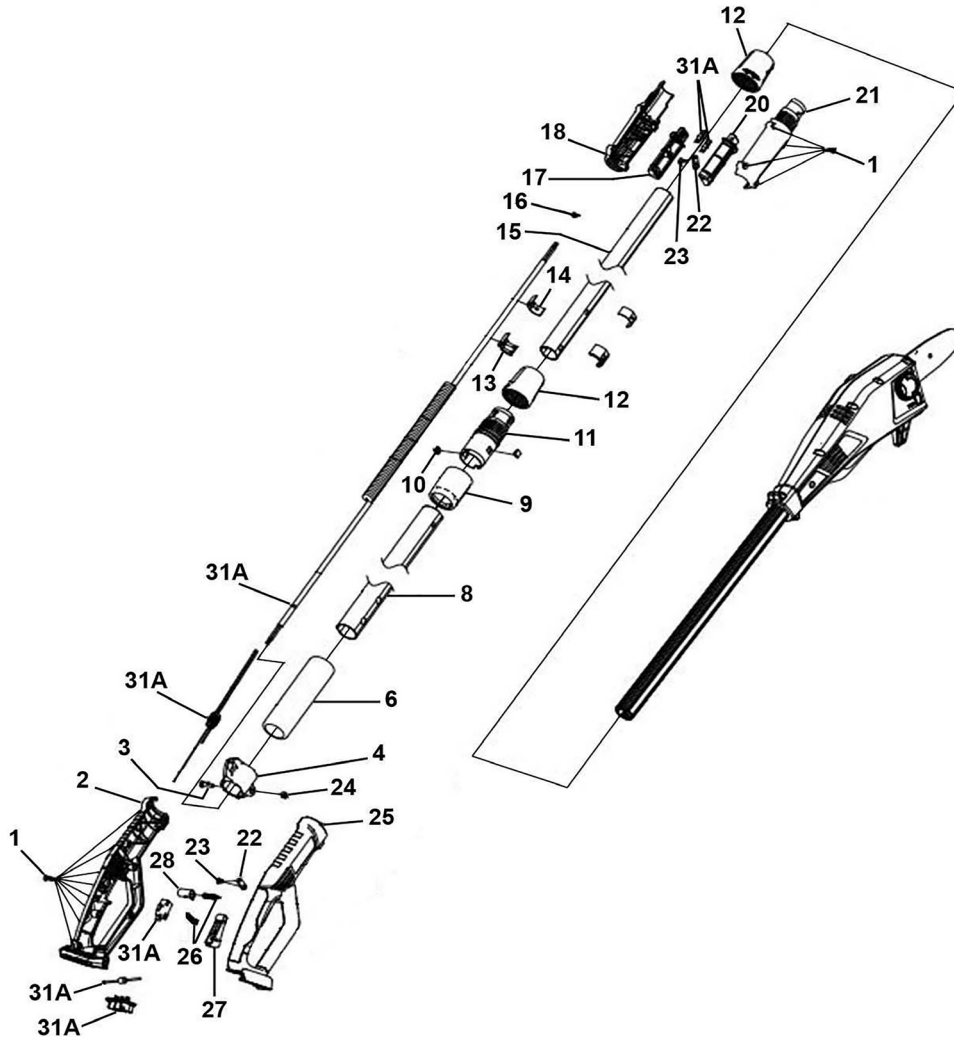




Parts Information:  
**Cordless 20V SV20 Series Telescopic Pole**  
**for CP20VPSH/CP20VPHT**  
**Model No: CP20VTP**



Item	Part No.	Description
1	CP20VTP-01	Tapping Screw for Handle Casing
2+25	CP20VTP-02+25	Handle Casing Complete
3	CP20VTP-03	Screw
4	CP20VTP-04	End Hook
6	CP20VTP-06	Tube Sleeve
8	CP20VTP-08	Aluminium Tube
9	CP20VTP-09	Sleeve Knob
10	CP20VTP-10	Limit Block
11	CP20VTP-11	Housing Knob
12	CP20VTP-12	Knob
13	CP20VTP-13	Aluminum Tube Collar-Tail
14	CP20VTP-14	Aluminum Tube Clip

Item	Part No.	Description
15	CP20VTP-15	Aluminum Tube-Expansion End
16	CP20VTP-16	Screw
17+20	CP20VTP-17+20	Aluminum Tube Cover Complete (Inner)
18+21	CP20VTP-18+21	Aluminum Tube Cover Complete (Outer)
22	CP20VTP-22	Spool Board
23	CP20VTP-23	Screw
24	CP20VTP-24	Lock Nut
26	CP20VTP-26	Switch Spring
27	CP20VCHS -35	Switch Button
28	CP20VTP-28	Push Rod
31A	CP20VTP-31A	Inductance Assembly (inc 5,7,19,29,30,31)
--	CP20VTP-B	Belt (Not Shown)

**NOTE:** It is our policy to continually improve products and as such we reserve the right to alter data, specifications and component parts without prior notice. There may be alternative versions of this product, please contact us should you require this information.

**IMPORTANT:** No liability is accepted for incorrect use of product. Spare parts must be fitted by a competent person

**WARRANTY:** Guarantee is 12 months from purchase date, proof of which will be required for any claim.

Sealey Group, Kempson Way, Suffolk Business Park, Bury St Edmunds, Suffolk. IP32 7AR



01284 757500



sales@sealey.co.uk



www.sealey.co.uk