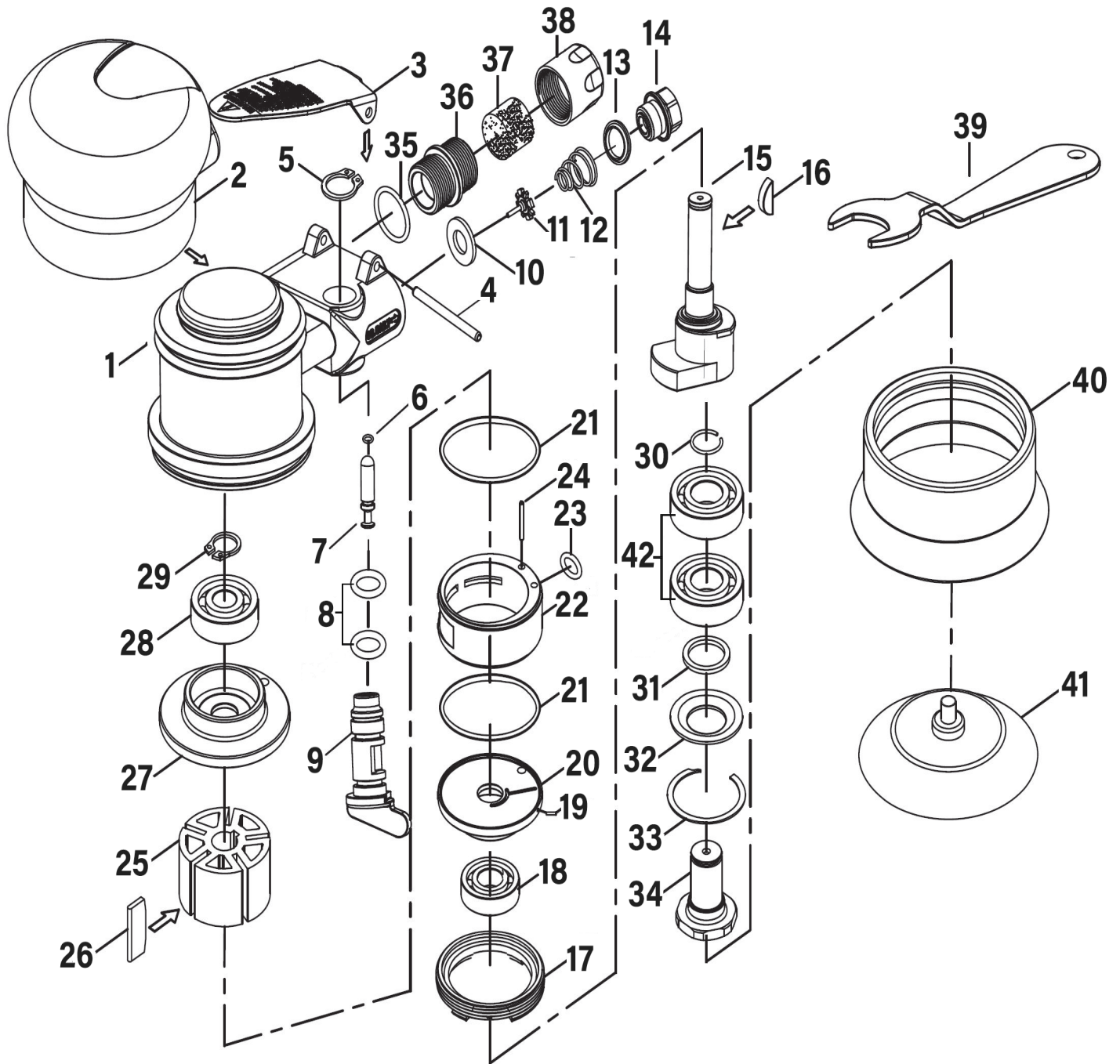




Parts Information:
Air Palm Orbital Sander Ø75mm
Model No: GSA003



NOTE: It is our policy to continually improve products and as such we reserve the right to alter data, specifications and component parts without prior notice. There may be alternative versions of this product, please contact us should you require this information.

IMPORTANT: No liability is accepted for incorrect use of product. Spare parts must be fitted by a competent person

WARRANTY: Guarantee is 12 months from purchase date, proof of which will be required for any claim.

Sealey Group, Kempson Way, Suffolk Business Park, Bury St Edmunds, Suffolk. IP32 7AR



01284 757500



sales@sealey.co.uk



www.sealey.co.uk



Parts Information:
Air Palm Orbital Sander Ø75mm
Model No: GSA003

Item	Part No.	Description
1	GSA003.01	Housing
2	GSA003.02	Housing Cover
3	GSA003.03	Trigger
4	GSA003.04	Straight Pin
5	GSA003.05	Snap Ring
6	GSA003.06	O-Ring (3x1.5)
7	GSA003.07	Pin
8	DH03.V2-39	O-Ring, (Ex: 12.81 In: 9.25 Cs: 1.78)
9	GSA003.09	Valve knob
10	GSA003.10	Switch Valve Ring
11	GSA003.11	Switch Valve
12	GSA003.12	Taper Spring Dia 14.0mm
13	GSA003.13	Bushing
14	GSA003.14	Air Inlet Connector
15	GSA003.15	Drive Shaft
16	GSA003.16	Woodruff Key (3x5x13)
17	GSA003.17	Lock Nut
18	B/6001ZZ	Bearing 6001ZZ
19	GSA003.19	Straight Pin (2.5x6)
20	GSA003.20	Front Cylinder Head
21	GSA003.21	O-ring (38x1.5)

Item	Part No.	Description
22	GSA003.22	Cylinder
23	GSA003.23	O-Ring
24	GSA003.24	Straight Pin (3x28)
25	GSA003.25	Rotor
26	GSA003.26	Rotor Blade
27	GSA003.27	Rear Cylinder Head
28	B/6000ZZ	Bearing 6000ZZ
29	GSA003.29	Snap Ring
30	GSA003.30	E-Ring
31	GSA003.31	Sealing Ring
32	GSA003.32	V-Gasket
33	GSA003.33	Retaining Ring
34	GSA003.34	Balancing Shaft
35	GSA003.35	O-Ring (15x1.8)
36	GSA003.36	Muffler Connector
37	GSA003.37	Muffler Filter
38	GSA003.38	Muffler Cover
39	GSA003.39	Wrench
40	GSA003.40	Dust Collection Hood
41	GSA003.41	3" Pad 5/16"UNF
42	B/6900ZZ	Bearing 6900ZZ

NOTE: It is our policy to continually improve products and as such we reserve the right to alter data, specifications and component parts without prior notice. There may be alternative versions of this product, please contact us should you require this information.

IMPORTANT: No liability is accepted for incorrect use of product. Spare parts must be fitted by a competent person

WARRANTY: Guarantee is 12 months from purchase date, proof of which will be required for any claim.

Sealey Group, Kempson Way, Suffolk Business Park, Bury St Edmunds, Suffolk. IP32 7AR



01284 757500



sales@sealey.co.uk



www.sealey.co.uk