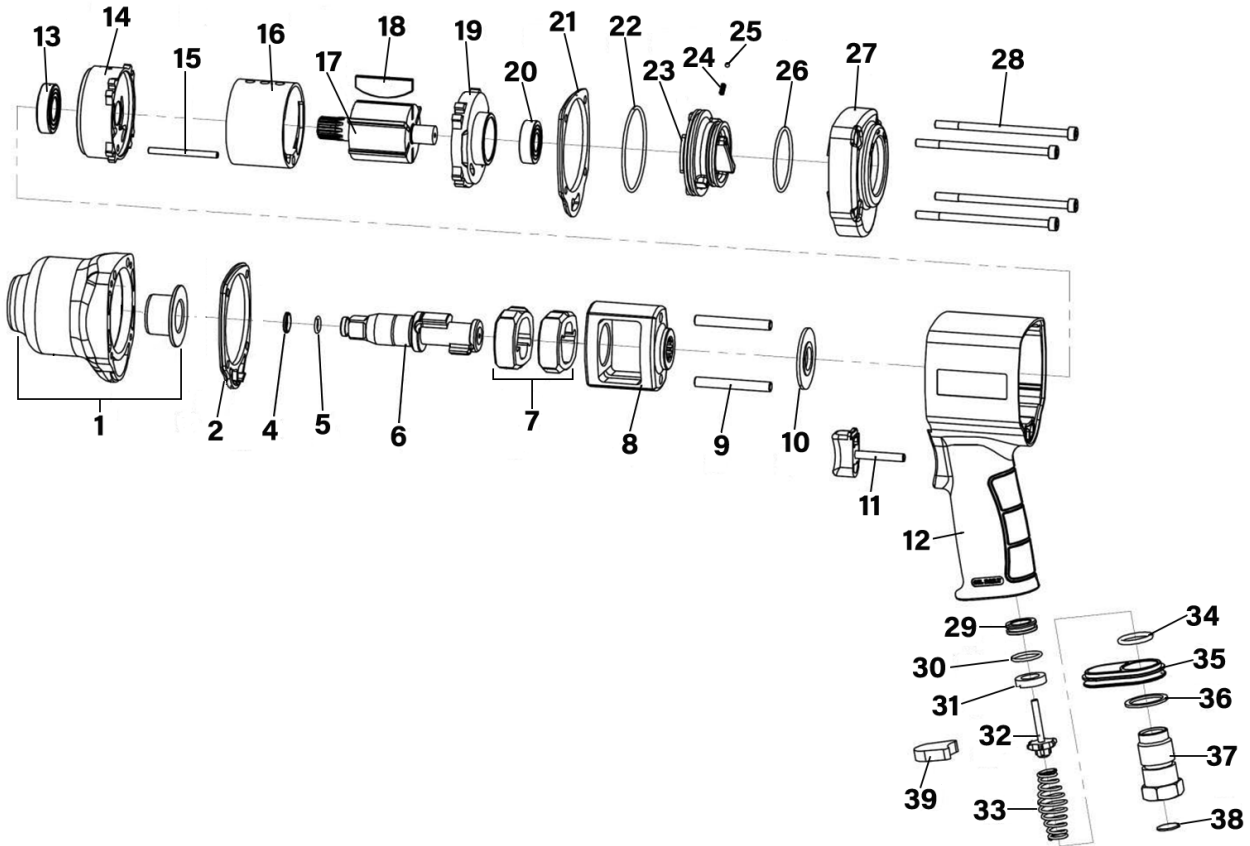


Parts Information:  
**Composite Air Impact Wrench 3/4" Sq  
 Drive - Twin Hammer**  
**Model No: GSA6004.V2**



Item	Part No.	Description
1	GSA6004.V2-01	Hammer Case & Anvil Bushing
2	GSA6004.V2-02	Rubber Gasket
4	GSA6004.V2-04	Retaining Ring
5	SA695.13	O-Ring, (Ex: 16.01 In: 10.77 Cs: 2.62)
6	GSA6004.V2-06	Anvil
7	GSA6004.V2-07	Hammer
8	GSA6004.V2-08	Hammer Cage
9	GSA6004.V2-09	Hammer Pin
10	GSA6004.V2-10	Gasket
11	GSA6004.V2-11	Trigger
12	GSA6004.V2-11A	Handle Ass'y
13	B/6004ZZ	Bearing 6004ZZ
14	GSA6004.V2-14	Front End Plate
15	GSA6004.V2-15	Pin
16	GSA6004.V2-16	Cylinder
17	GSA6004.V2-17A	Rotor Ass'y
18	GSA6004.V2-18	Rotor Vane
19	GSA6004.V2-19	Rear End Plate
20	B/6003Z	Bearing 6003Z

Item	Part No.	Description
21	GSA6004.V2-21	Rubber Gasket
22	GSA6004.34	O-Ring, (Ex: 63.61 In: 60.05 Cs: 1.78)
23	GSA6004.V2-23	Timing Button
24	GSA6004.V2-24	Spring Dia 3.5mm
25	SB-4.0	Steel Ball 4.0mm
26	SA401.47	O-Ring, (Ex: 50.91 In: 47.35 Cs: 1.78)
27	GSA6004.V2-27	Rear Cover
28	GSA6004.V2-28	Fastening Screw(6x110mm)
29	GSA6004.V2-29	Inlet Gasket
30	SM40.V2-35	O-Ring, (Ex: 20.73 In: 17.17 Cs: 1.78)
31	GSA6004.V2-31	Rubber Seal
32	GSA6004.V2-32	Inlet Valve
33	GSA6005.32	Inlet Spring
34	SA682.V2-60	O-ring, (Ex: 23.96 In: 18.72 Cs: 2.62)
35	GSA6004.V2-35	Plastic Cover
36	GSA6004.V2-36	Gasket
37	GSA6004.V2-37	Air Inlet
38	GSA6004.V2-38	Air Inlet Screen
39	GSA6004.V2-39	Muffler

**NOTE:** It is our policy to continually improve products and as such we reserve the right to alter data, specifications and component parts without prior notice. There may be alternative versions of this product, please contact us should you require this information.

**IMPORTANT:** No liability is accepted for incorrect use of product. Spare parts must be fitted by a competent person

**WARRANTY:** Guarantee is 12 months from purchase date, proof of which will be required for any claim.