

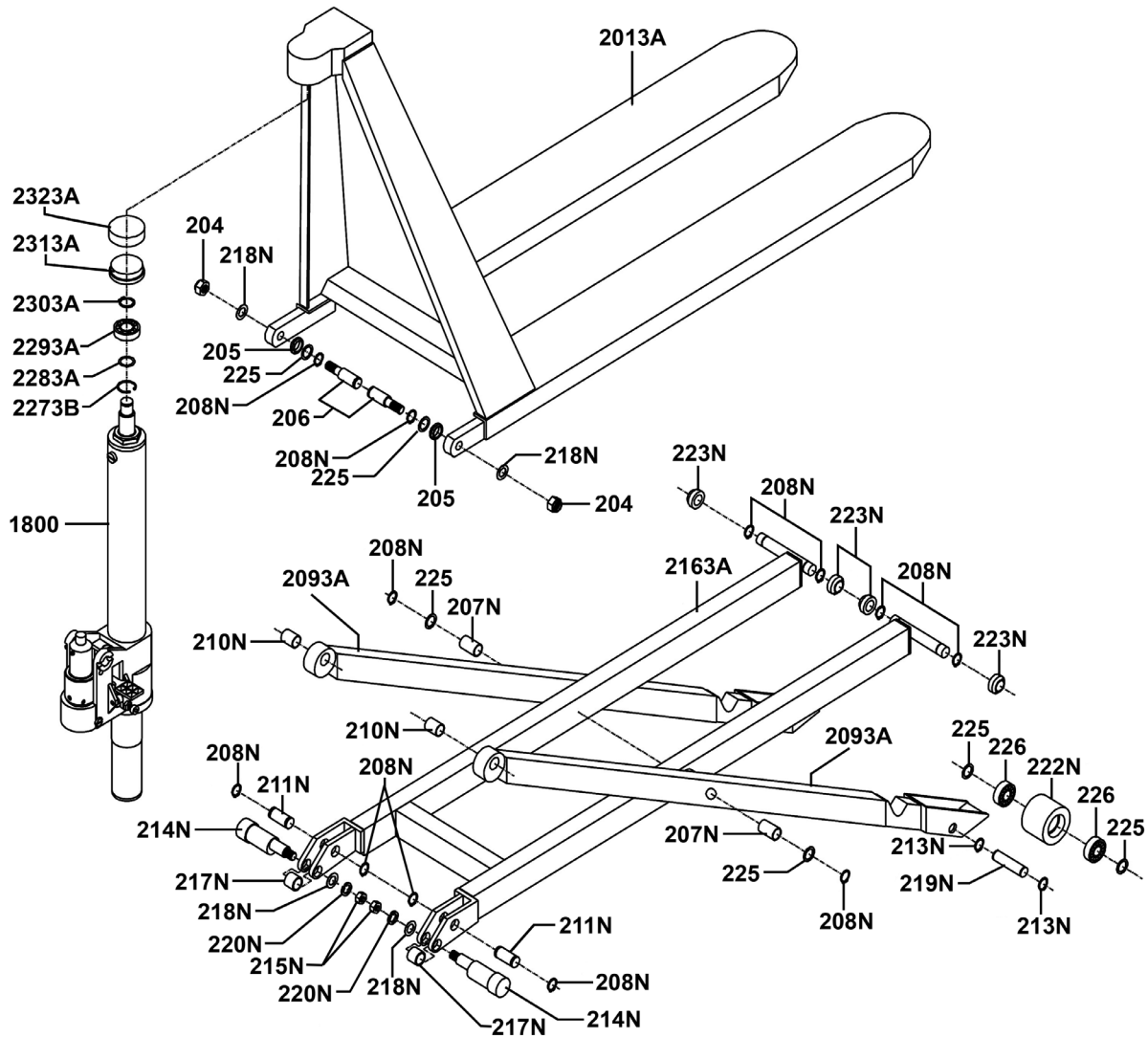
Item	Part No.	Description
101	PT1170H-V3-101	Release Rod
102	PT1170H-V3-102	Release Rod Chain
103	PT1170H-V3-103	Adjusting Bolt
104	PT1170H-V3-104	Adjusting Nut
105	PT1170H-V3-105	Handle Axle with Hole
106	PT1170H-V3-106	Spring Pin Ø5 x 35
107	PT1170H-V3-107	Bushing
108	PT1170H-V3-108	Roller Pin
109	PT1170H-V3-109	Pressure Roller
109A	PT1170H-V3-109A	Bushing

Item	Part No.	Description
110	PT1170H-V3-110	Draw Bar
111	PT1170H-V3-111	Rubber Cushion
112	PT1170H-V3-112	Spring Pin Ø6 x 30
113	PT1170H-V3-113	Blade Spring
114	PT1170H-V3-114	Spring for Control Handle
115	PT1170H-V3-115	Spring Pin Ø4 x 30
116	PT1170H-V3-116	Spring Pin Ø4 x 13
117	PT1170H-V3-117	Control Handle
118	PT1170H-V3-118	Roller
119	PT1170H-V3-119	Spring Pin Ø4 x 20

**NOTE:** It is our policy to continually improve products and as such we reserve the right to alter data, specifications and component parts without prior notice. There may be alternative versions of this product, please contact us should you require this information.

**IMPORTANT:** No liability is accepted for incorrect use of product. Spare parts must be fitted by a competent person

**WARRANTY:** Guarantee is 12 months from purchase date, proof of which will be required for any claim.



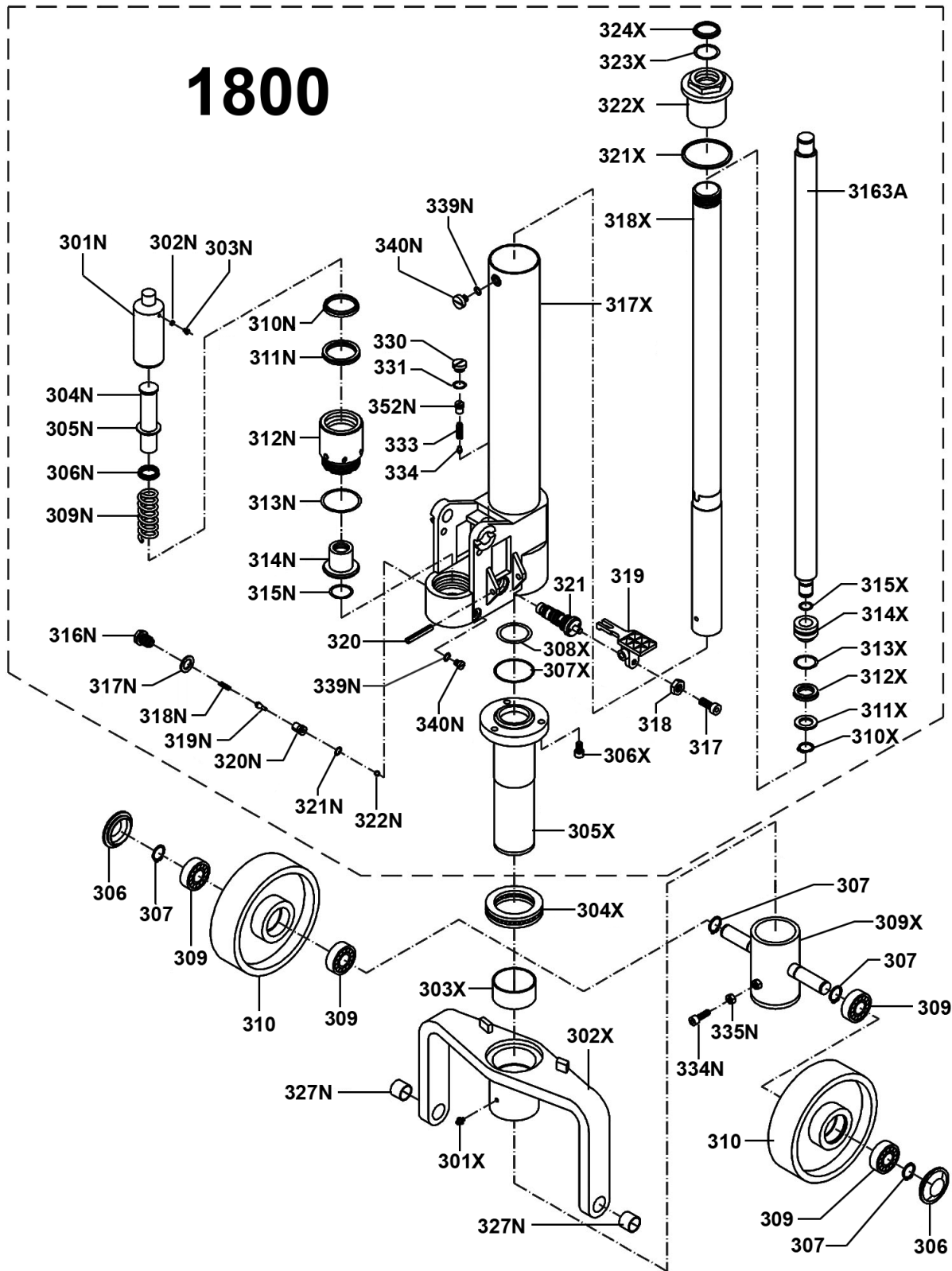
Item	Part No.	Description
204	NLN16.S	Nyloc Nut M16 Zinc
205	PT1170H-V3-205N	Washer
206	PT1170H-V3-206	Pin
207N	PT1170H-V3-207N	Bushing 25 x 22 x 40
208N	PT1170H-V3-208N	Locking Ring
2013A	PT1170H-V3-2013A	Fork Frame
2093A	PT1170H-V3-2093A	Lift Leg
210N	PT1170H-V3-210N	Bushing 25 x 22 x 30
211N	PT1170H-V3-211N	Pin
213N	PT1170H-V3-213N	Locking Ring
214N	PT1170H-V3-214N	Central Axle
215N	NLN16.S	Nyloc Nut M16 Zinc
2163A	PT1170H-V3-2163A	Inner Leg
217N	PT1170H-V3-217N	Bushing

Item	Part No.	Description
218N	FWM16.S	Flat Washer M16 Zinc
219N	PT1170H-V3-219N	Shaft for Roller
220N	FWM16.S	Flat Washer M16 Zinc
222N	PT1170H-V3-222N	Roller
223N	PT1170H-V3-223N	Steel Roller
225	PT1170H-V3-225	Washer
226	B/6204-2RS	Bearing 6204-2RS
2273B	PT1170H-V3-2273A	Steel Cable Baffle Ring
2283A	PT1170H-V3-2283A	Washer
2293A	B/6205-2RS	Bearing 6205-2rs
2303A	PT1170H-V3-2303A	External Circlip for Shaft
2313A	PT1170H-V3-2313A	Bearing Seat
2323A	PT1170H-V3-2323A	Rubber Cover
1800	PT1170H-V3-1800	Hydraulic Assembly

**NOTE:** It is our policy to continually improve products and as such we reserve the right to alter data, specifications and component parts without prior notice. There may be alternative versions of this product, please contact us should you require this information.

**IMPORTANT:** No liability is accepted for incorrect use of product. Spare parts must be fitted by a competent person

**WARRANTY:** Guarantee is 12 months from purchase date, proof of which will be required for any claim.



**NOTE:** It is our policy to continually improve products and as such we reserve the right to alter data, specifications and component parts without prior notice. There may be alternative versions of this product, please contact us should you require this information.

**IMPORTANT:** No liability is accepted for incorrect use of product. Spare parts must be fitted by a competent person

**WARRANTY:** Guarantee is 12 months from purchase date, proof of which will be required for any claim.



Parts Information:  
**High Lift Pallet Truck - 1000kg Capacity**  
**1170 x 540mm**  
**Model No: PT1170H.V3**

Item	Part No.	Description
306	PT1170H-V3-306	Dust Cover
307	PT1170H-V3-307	Locking Ring
309	B/6204	Bearing 6204
310	PT1170H-V3-310	Steering Wheel
317	SCB1025.S	Socket Cap Bolt M10 x 25mm
318	SN10.S	Steel Nut M10 Zinc
319	PT1170H-V3-319	Lever Plate
320	PT1170H-V3-320	Spring Pin 8 x 50
321	PT1170H-V3-321	Valve Cartridge
330	PT1170H-V3-330	Screw Plug
331	PT1170H-V3-331	O-Ring 11.2 x 2.65
333	PT1170H-V3-333	Spring
334	PT1170H-V3-334	Spindle of Safety Valve
301N	PT1170H-V3-301N	Piston for Quick Lifting
302N	PT1170H-V3-302N	Seal Washer
303N	PT1170H-V3-303N	Screw for Deflating M4 x 5
304N	PT1170H-V3-304N	Piston for Slow Lifting
305N	PT1170H-V3-305N	Washer for Spring
306N	PT1170H-V3-306N	Y-Ring 24 x 30 x 5
309N	PT1170H-V3-309N	Spring
310N	PT1170H-V3-310N	Dust Ring 43 x 53 x 5 x 6.5
311N	PT1170H-V3-311N	Y-Ring 45 x 55 x 6
312N	PT1170H-V3-312N	Pump Cylinder for Quick Lifting
313N	PT1170H-V3-313N	O-Ring 53 x 3.5
314N	PT1170H-V3-314N	Pump Cylinder for Slow Lifting
315N	PT1170H-V3-315N	O-Ring 28.8 x 3.1
316N	PT1170H-V3-316N	Screw
317N	PT1170H-V3-317N	Seal Washer
318N	PT1170H-V3-318N	Spring
319N	PT1170H-V3-319N	Spindle of Pump Valve
320N	PT1170H-V3-320N	Seat of Valve
321N	PT1170H-V3-321N	O-Ring 9.2 x 1.9
322N	SB-8.7	Steel Ball 8.7mm

Item	Part No.	Description
327N	PT1170H-V3-327N	Bushing 25 x 22 x 20
334N	SCB825.SB	Socket Cap Bolt M8 x 25mm Black
335N	SN8.SB	Steel Nut M8 Black
339N	PT1170H-V3-339N	O-Ring 7.5 x 2.65
340N	PT1170H-V3-340N	Screw
352N	PT1170H-V3-352N	Adjusting Bolt
301X	GNM19S	Grease nipple str 6 x 1.00mm single
302X	PT1170H-V3-302X	Thrust Plate
303X	PT1170H-V3-303X	Bushing
304X	PT2200-V2-D122	Bearing 8112
305X	PT1170H-V3-305X	Lower Cylinder
306X	SCB814.SB	Socket Cap Bolt M8 x 14 Black
307X	PT1170H-V3-307X	O-Ring
308X	PT1170H-V3-308X	O-Ring 42 x 5
309X	PT1170H-V3-309X	Holding Site for Wheel
310X	PT1170H-V3-310X	Locking Ring
311X	PT1170H-V3-311X	Washer
312X	PT1170H-V3-312X	Y-Ring (35 x 25 x 6)
313X	PT1170H-V3-313X	O-Ring (28.8 x 3.1)
314X	PT1170H-V3-314X	Piston
315X	PT1170H-V3-315X	O-Ring (15.2 x 2.4)
3163X	PT1170H-V3-3163X	Piston Rod
317X	PT1170H-V3-317X	Pump Body
318X	PT1170H-V3-318X	Cylinder
321X	PT1170H-V3-321X	Seal Washer
322X	PT1170H-V3-322X	Screw Cover
323X	PT1170H-V3-323X	O-Ring (31 x 3.5)
324X	PT1170H-V3-324X	Dust Ring (32 x 40 x 5)
1800	PT1170H-V3-1800	Hydraulic Assembly
--	PT1170H-V3-HA	Handle Assembly (Not Shown)
--	PT1170H-V3-PIS	Piston Assembly (Not Shown)
--	PT1170H-V3-SK	Seal Kit Assembly (Not Shown)

**NOTE:** It is our policy to continually improve products and as such we reserve the right to alter data, specifications and component parts without prior notice. There may be alternative versions of this product, please contact us should you require this information.

**IMPORTANT:** No liability is accepted for incorrect use of product. Spare parts must be fitted by a competent person

**WARRANTY:** Guarantee is 12 months from purchase date, proof of which will be required for any claim.

Sealey Group, Kempson Way, Suffolk Business Park, Bury St Edmunds, Suffolk. IP32 7AR



01284 757500



sales@sealey.co.uk



www.sealey.co.uk