

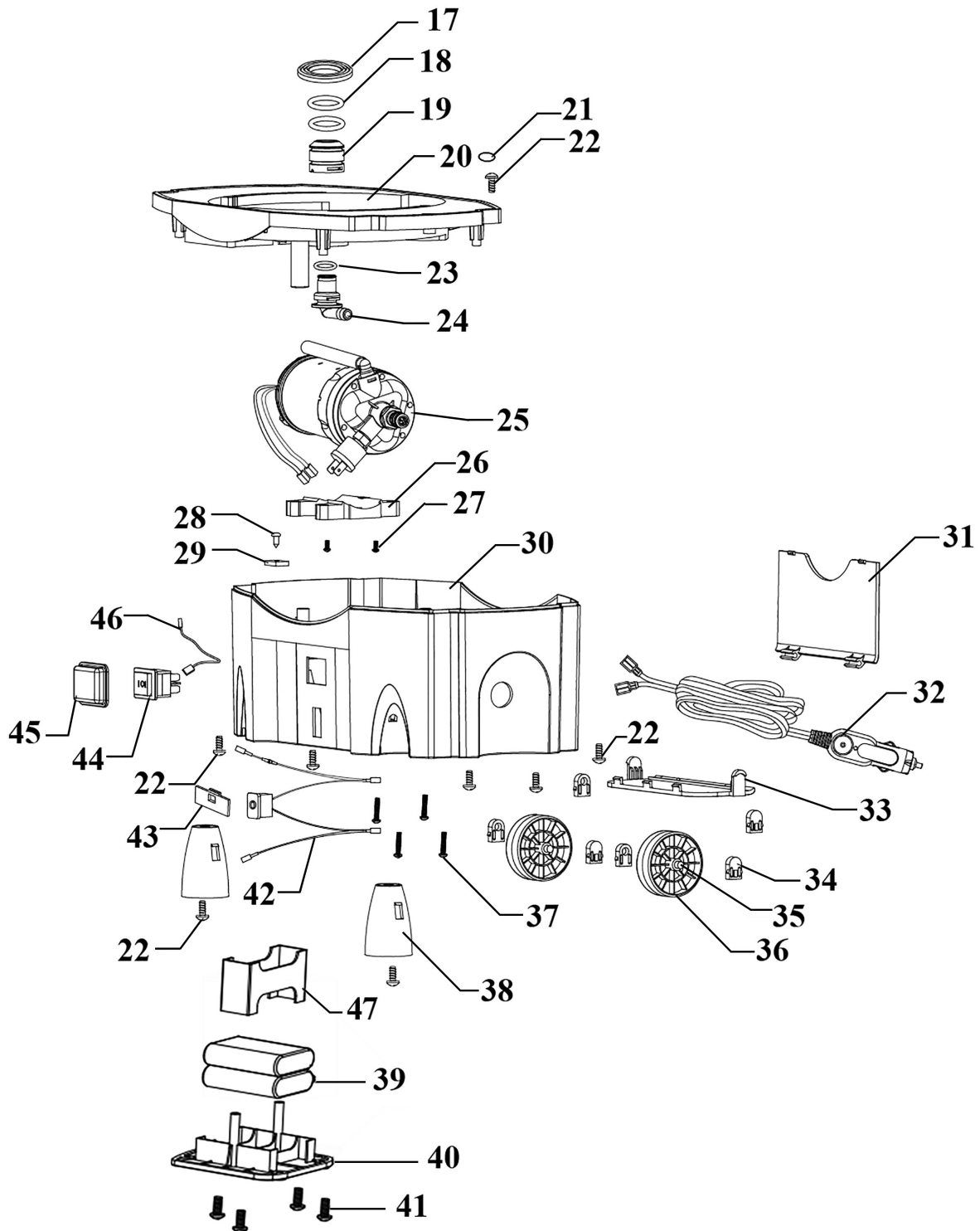
Item	Part No.	Description	Qty
1	PW1712.01	Oring for Cap 96.6*5.6mm	1
2	PW1712.02	Cap	1
3	PW1712.03	Check Valve for Cap	1
4	PW1712.04	Cover of Check Valve	1
5	PW1712-V2-05	Tank (Red)	1
6	PW1712.06	Mesh Frame	1
7	PW1712-V2-07	Mesh	1
8	PW1712.08	Screw Pb4x10mm	6
9	PW1712.09	Rubber Seal	1

Item	Part No.	Description	Qty
10	PW1712.10	Check Valve 'A'	1
11	PW1712.11	Diaphragm Gasket	1
12	PW1712.12	Fixed Support for Check Valve	1
13	PW1712.13	Check Valve 'B'	1
14	PW1712.14	Rd Head S/T Screw M2.6 x 6	1
15	MSP410.S	Machine Screw Pan Head Phillips M4 x 10mm	4
16	PW1712-V2-16	Logo (Sticker)	1

NOTE: It is our policy to continually improve products and as such we reserve the right to alter data, specifications and component parts without prior notice. There may be alternative versions of this product, please contact us should you require this information.

IMPORTANT: No liability is accepted for incorrect use of product. Spare parts must be fitted by a competent person

WARRANTY: Guarantee is 12 months from purchase date, proof of which will be required for any claim.



NOTE: It is our policy to continually improve products and as such we reserve the right to alter data, specifications and component parts without prior notice. There may be alternative versions of this product, please contact us should you require this information.

IMPORTANT: No liability is accepted for incorrect use of product. Spare parts must be fitted by a competent person

WARRANTY: Guarantee is 12 months from purchase date, proof of which will be required for any claim.



Parts Information:
Pressure Washer 12V Rechargeable
Model No: PW1712.V2

Item	Part No.	Description	Qty
17	PW1712-V2-17	Rubber Seal	1
18	PW1712-V2-18	O-Ring (Ø24 x Ø18.3mm)	2
19	PW1712-V2-19	Adaptor	1
20	PW1712.20	Case Cover	1
21	PW1712.21	Case Label	1
22	SG2303.V2-37	Rd Head S/T Screw M4 x 10	8
23	PW1712.23	O-Ring, Transluscent, (Ex: 16.30 In: 12.14 Cs: 2.13)	1
24	PW1712-V2-24	Inlet Connector	1
25	PW1712.25	Pump	1
26	PW1712.26	Motor Support	1
27	MSP410.S	Machine Screw Pan Head Phillips M4 x 10mm	2
28	PW1712.28	Rd Head S/T Screw M2.6 x 10	1
29	PW1712.29	Cable Grip	1
30	PW1712.30	Case	1
31	PW1712.31	Cord Door Cover	1
32	PW1712-V2-32	Power Cord	1
33	PW1712.33	Base For Cord Door Cover	1
34	PW1712.34	Frame for Wheel	6
35	PW1712.35	Wheel Axle: Solid, (L:34mm D:6mm)	2
36	PW1712.36	Wheel,Fixed Plastic (D:55 W:20 B:6)	2
37	PW1712.37	Screw Pm4x20mm	4
38	PW1712.38	Foot	2
39	PW1712-V2-39	Lithium Battery 4400Mah	1

Item	Part No.	Description	Qty
40	PW1712-V2-40	Cover Of Battery Case	1
41	MSP410.S	Machine Screw Pan Head Phillips M4 x 10mm	4
42	PW1712.42	DC Socket With Wire	1
43	PW1712.43	Fixed Cover for Socket	1
44	PW1712.44	Switch, On/Rocker (High/Low) c/w Cover (15A-250V)	1
45	PW1712.45	Plastic Cover For Rocker Switch	1
46	PW1712.46	Wire for Rocker Switch	1
47	PW1712-V2-47	Battery Support	1
		ACCESSORIES NOT SHOWN	
--	PW1712-V2-ACC1	Bottle 500ml (Blue)	1
--	PW1712-V2-ACC2	Snow Foam Kit (Black)	1
--	PW1712-V2-ACC3	Pressure Gun	1
--	PW1712-V2-ACC4	O-Ring 2.3 x 2.1mm (for Pressure Gun Connector)	1
--	PW1712-V2-ACC5	Spraygun Connector	1
--	PW1712-V2-ACC6	Spraygun Nozzle	1
--	PW1712.54	Pressure Hose 6M	1
--	PW1712-V2-ACC8	Hose Connector	1
--	PW1712-V2-ACC9	Long Brush	1
--	PW1712-V2-ACC10	Main Charger 13.4V	1
--	PW1712.59	Shoulder Strap	1

NOTE: It is our policy to continually improve products and as such we reserve the right to alter data, specifications and component parts without prior notice. There may be alternative versions of this product, please contact us should you require this information.

IMPORTANT: No liability is accepted for incorrect use of product. Spare parts must be fitted by a competent person

WARRANTY: Guarantee is 12 months from purchase date, proof of which will be required for any claim.

Sealey Group, Kempson Way, Suffolk Business Park, Bury St Edmunds, Suffolk. IP32 7AR



01284 757500



sales@sealey.co.uk



www.sealey.co.uk