

Thank you for purchasing a Sealey product. Manufactured to a high standard, this product will, if used according to these instructions, and properly maintained, give you years of trouble free performance.

IMPORTANT: PLEASE READ THESE INSTRUCTIONS CAREFULLY. NOTE THE SAFE OPERATIONAL REQUIREMENTS, WARNINGS & CAUTIONS. USE THE PRODUCT CORRECTLY AND WITH CARE FOR THE PURPOSE FOR WHICH IT IS INTENDED. FAILURE TO DO SO MAY CAUSE DAMAGE AND/OR PERSONAL INJURY AND WILL INVALIDATE THE WARRANTY. KEEP THESE INSTRUCTIONS SAFE FOR FUTURE USE.



Refer to instruction manual



Wear ear protection



Wear eye protection



Wear protective gloves



Wear a mask

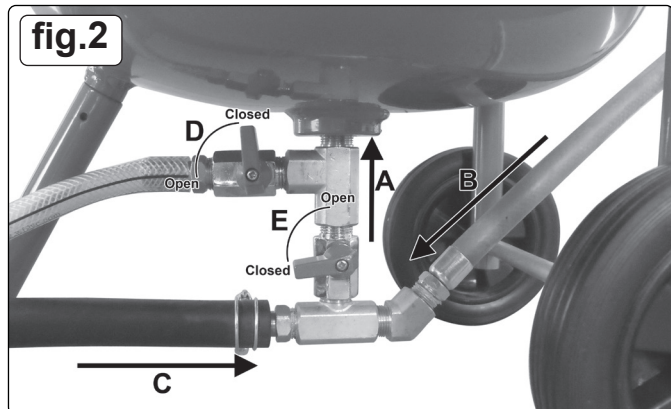
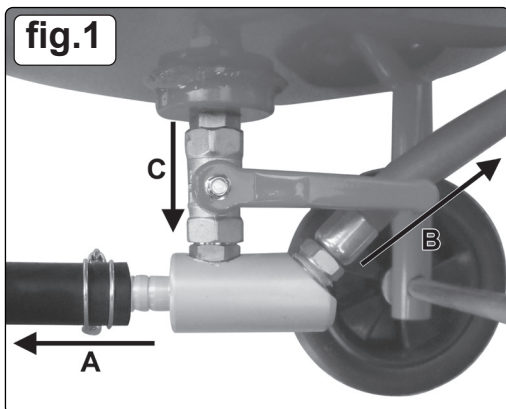
1. SAFETY

- ❑ **WARNING!** Turn off, or disconnect from, air supply before servicing or performing any maintenance and when unit is not in use. Failure to comply with this instruction may damage the unit and will invalidate your warranty.
 - ❑ **WARNING!** Wear approved ear, eye, hand and respiratory protection when operating the blaster. A full range of personal safety equipment is available from your Sealey stockist.
 - ✓ Spillages of abrasive material, which may be slippery, must be cleaned up immediately to avoid injury.
 - ✓ Replace or repair damaged parts. Use recommended parts only. Non-authorized parts may be dangerous and will invalidate the warranty.
 - ✓ Remove ill fitting clothing. Remove ties, watches, rings, other loose jewellery and contain long hair.
 - ✓ Always keep the blast nozzle directed at the workpiece.
 - ✓ Keep all other persons away from the working area. Contact with high pressure blast or inhaling the dust generated is dangerous.
 - ✗ **DO NOT** operate the blaster if any parts are missing or damaged as this may cause failure and/or personal injury.
- NOTE:** This manual is only for the soda blasting conversion kit. For full safety, assembly and operating instructions please refer to the manual for SB997, SB998.

2. INTRODUCTION

Soda blasting accessory for use in conjunction with Model No's SB997 and SB998 Shot Blasters. Quick and simple to fit and use. Soda blasting is especially suitable in the classic car market as soda will not etch glass and will not warp or remove metalwork. Surface will be left smooth. Soda also leaves a rust inhibitor behind for up to six weeks.

3. ASSEMBLY



- ❑ **WARNING!** Before operating the unit ensure you read, understand and apply Section 1 Safety Instructions.
- 3.1. REMOVE THE STANDARD MANIFOLD**
- 3.1.1. Use a screwdriver to loosen the hose clamp on the blasting hose and pull the hose off the connector (fig.1A).
 - 3.1.2. Unscrew the air hose from the manifold (fig.1B).
 - 3.1.3. Unscrew the manifold from the bottom of the tank (fig.1C).
- 3.2. FIT SODA BLASTING MANIFOLD**
- NOTE:** Use PTFE tape on threaded connection for an air tight seal.
- 3.2.1. Screw in the new manifold until tight, use a spanner (fig.2A), ensure the air hose connection faces the back of the tank.
 - 3.2.2. Screw in the air hose and tighten with a spanner (fig.2B).
 - 3.2.3. Push the blasting hose onto the lower connector, tighten the clamp with a flat head screwdriver.
 - 3.2.4. If the exhaust hose is not connected push it onto the remaining connector (fig.2C).



ENVIRONMENT PROTECTION

Recycle unwanted materials instead of disposing of them as waste. All tools, accessories and packaging should be sorted, taken to a recycling centre and disposed of in a manner which is compatible with the environment. When the product becomes completely unserviceable and requires disposal, drain any fluids (if applicable) into approved containers and dispose of the product and fluids according to local regulations.

Note: It is our policy to continually improve products and as such we reserve the right to alter data, specifications and component parts without prior notice.

Important: No Liability is accepted for incorrect use of this product.

Warranty: Guarantee is 12 months from purchase date, proof of which is required for any claim.

Sealey Group, Kempson Way, Suffolk Business Park, Bury St Edmunds, Suffolk. IP32 7AR



01284 757500



01284 703534



sales@sealey.co.uk



www.sealey.co.uk