



Ø45MM BRAKE PRESSURE BLEEDER CAP 90° CONNECTOR WITH HOSE

MODEL NO: **VS0204C4**

Thank you for purchasing a Sealey product. Manufactured to a high standard, this product will, if used according to these instructions, and properly maintained, give you years of trouble free performance.

IMPORTANT: PLEASE READ THESE INSTRUCTIONS CAREFULLY. NOTE THE SAFE OPERATIONAL REQUIREMENTS, WARNINGS & CAUTIONS. USE THE PRODUCT CORRECTLY AND WITH CARE FOR THE PURPOSE FOR WHICH IT IS INTENDED. FAILURE TO DO SO MAY CAUSE DAMAGE AND/OR PERSONAL INJURY AND WILL INVALIDATE THE WARRANTY. KEEP THESE INSTRUCTIONS SAFE FOR FUTURE USE.



Refer to instruction manual



Wear eye protection



Wear protective gloves

1. SAFETY

IMPORTANT! These instructions are provided as a guide only. Always refer to the vehicle manufacturer's service instructions.

- ✓ It is recommended to perform a leak test to ensure if the adaptor is tightly and securely connected on the reservoir.
- ✓ Keep this product in good working order and condition, take immediate action to repair or replace damaged parts.
- ✓ Use approved parts only. Unapproved parts may be dangerous and will invalidate the warranty.
- ✓ Keep children and unauthorised persons away from the work area.
- ✓ Keep work area clean and tidy and free from unrelated materials.
- ✓ Ensure the work area has adequate lighting.
- ✗ **DO NOT** use the kit to perform a task for which it is not designed.
- ✗ **DO NOT** allow untrained persons to use the kit.
- ✗ **DO NOT** use when tired or under the influence of drugs, alcohol or intoxicating medication.
- ✓ After use, clean equipment and store in a cool, dry, childproof area.
- ✓ Dispose of waste liquids in accordance with local authority regulations.
- ✓ Always read and comply with the warnings on the brake fluid container.
- ✓ Wear eye protection and keep skin contact to a minimum. If brake fluid enters eyes rinse with plenty of water and seek medical advice. If swallowed seek medical advice immediately.
- WARNING!** Only use new Brake Fluid, used Brake Fluid or other fluids will contaminate the system and possible brake system failure may result.
- WARNING! DO NOT** pollute the environment by allowing uncontrolled discharge of fluids.
- WARNING!** Brake fluid is flammable - keep away from sources of ignition, including hot surfaces e.g. exhaust manifold.
- WARNING!** Brake fluid will damage paintwork. Any spillage should be flushed with water immediately.

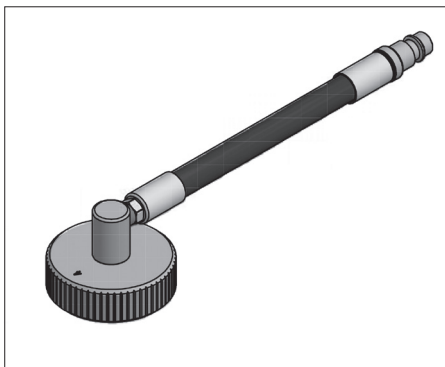
2. INTRODUCTION

Ø45mm Brake and clutch reservoir bleed cap (2001-2022). 90° Connector with hose for use where access is restricted. Manufactured from aluminium, this adaptor is suitable for pressure bleeding work that requires 1-2bar/14-30psi pressure range. Heavy-duty adaptor covers most vehicles. Compatible with Sealey brake bleeders VS0204, VS0204A, VS0207, VS820, VS821.

3. CONTENTS

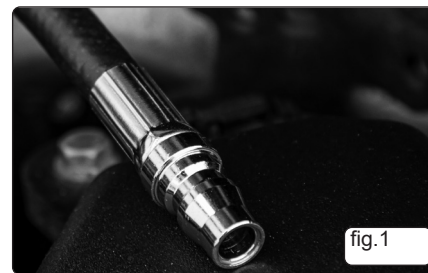
CAP4 European, Ford & Nissan

Model No.: VS0204C4



4. APPLICATIONS

| MAKE | MODELS | YEAR | TYPE | No. |
|---------------|--------------------|-----------|-------------------------|-----|
| Alfa Romeo | All models | All years | | 4 |
| Audi | All models | All years | | 4 |
| BMW | All models | All years | | 4 |
| Buick | Cascada | 2016-2019 | 1.6L | 4 |
| Buick | LaCrosse | 2010-2016 | 2.4L, 3.0L, 3.6L | 4 |
| Buick | Regal | 2011-2017 | 2.0L, 2.4L | 4 |
| Buick | Verano | 2012-2017 | 2.0L, 2.4L | 4 |
| Chevrolet | Cruze | 2011-2015 | 1.4L, 1.8L, 2.0L Diesel | 4 |
| Chevrolet | Cruze Limited | 2016-2016 | 1.4L, 1.8L | 4 |
| Chevrolet | Malibu | 2013-2016 | 1.8L, 2.0L, 2.4L, 2.5L | 4 |
| Chevrolet | Malibu Limited | 2016-2016 | 2.5L | 4 |
| Citroen | All models | All years | | 4 |
| Fiat | All models | All years | | 4 |
| Ford | C-Max | 2013-2018 | 2.0L | 4 |
| Ford | Escape | 2013-2016 | 1.5, 1.6L, 2.0L, 2.5L | 4 |
| Ford | Focus | 2012-2018 | 1.0L, 2.0L, 2.3L | 4 |
| Ford | Fusion | 2013-2014 | | 4 |
| Ford | Transit Connect | 2014-2020 | 1.6L, 2.0L, 2.5L | 4 |
| Ford | Transit-150 | 2015-2019 | 3.2L Diesel, 3.5L, 3.7L | 4 |
| Ford | Transit-250 | 2015-2019 | 3.2L Diesel, 3.5L, 3.7L | 4 |
| Ford | Transit-350 | 2015-2019 | 3.2L Diesel, 3.5L, 3.7L | 4 |
| Ford | Transit-350 HD | 2015-2019 | 3.2L Diesel, 3.5L, 3.7L | 4 |
| Jaguar | All models | All years | | 4 |
| Land Rover | All models | All years | | 4 |
| Mazda | CX-7 | 2007-2012 | 2.3L, 2.5L | 4 |
| Mazda | Mazda3 | 2004-2013 | 2.0L, 2.3L, 2.5L | 4 |
| Mazda | Mazda5 | 2006-2010 | 2.3L | 4 |
| Mazda | Mazda5 | 2012-2015 | 2.5L | 4 |
| Mazda MX-5 | Miata | 2006-2015 | 2.0L | 4 |
| Mercedes-Benz | All models | All years | | 4 |
| Mini | All models | All years | | 4 |
| Nissan | Europe-made models | All years | | 4 |
| Opel | All models | All years | | 4 |
| Peugeot | All models | All years | | 4 |
| Renault | Almost all models | All years | | 4 |
| Volvo | Almost all models | All years | | 4 |
| VW | All models | All years | | 4 |



5. OPERATION

- 5.1. Remove the master cylinder reservoir cap.
- 5.2. Pull out the old brake fluid as much as possible.
- 5.3. Fit the adaptor and connect to the reservoir.
- 5.4. Connect the pressure bleeding tool or machine to the adaptor (fig.1).
- 5.5. Follow the instructions as specified by the pressure bleeding tool or machine manufacturer.
- 5.6. It is recommended to perform a leak test to ensure if the adaptor is tightly and securely connected on the reservoir.
- 5.7. Remove the master cylinder reservoir cap (fig.2)
- 5.8. Screw on the adaptor cap.(fig.3)
- 5.9. You are now ready to commence with bleeding the brakes.

6. MAINTENANCE

- 6.1. Ensure that the unit is de-pressurized before carrying out any maintenance and drain all fluids from the fluid supply tube.
- 6.2. Clean up any spilled brake fluid and wipe down with a clean cloth.
- 6.3. Store in a clean, dry and childproof location.



ENVIRONMENT PROTECTION

Recycle unwanted materials instead of disposing of them as waste. All tools, accessories and packaging should be sorted, taken to a recycling centre and disposed of in a manner which is compatible with the environment. When the product becomes completely unserviceable and requires disposal, drain any fluids (if applicable) into approved containers and dispose of the product and fluids according to local regulations.



Note: It is our policy to continually improve products and as such we reserve the right to alter data, specifications and component parts without prior notice.

Important: No Liability is accepted for incorrect use of this product.

Warranty: Guarantee is 12 months from purchase date, proof of which is required for any claim.

Sealey Group, Kempson Way, Suffolk Business Park, Bury St Edmunds, Suffolk. IP32 7AR



01284 757500



01284 703534



sales@sealey.co.uk



www.sealey.co.uk