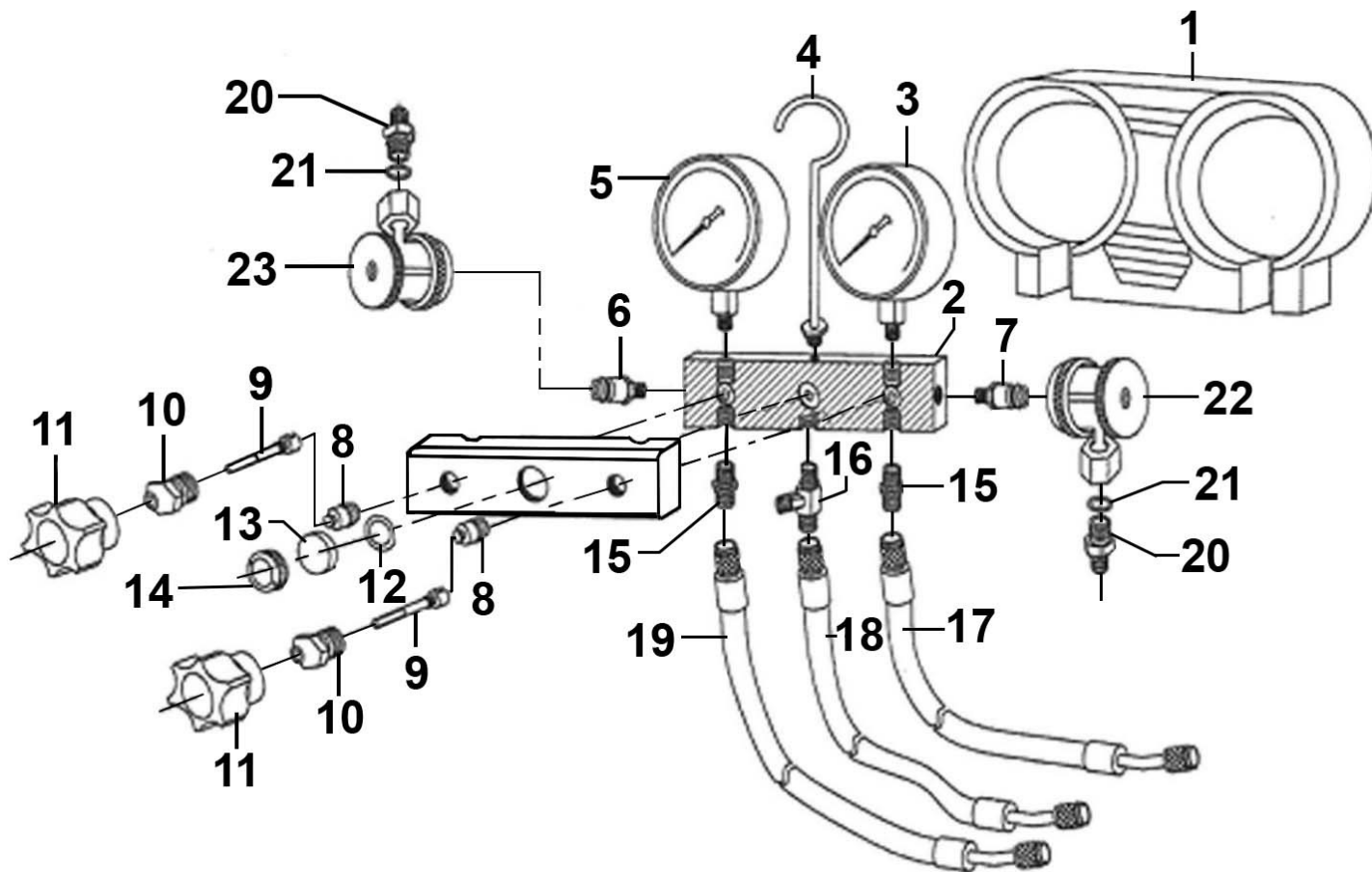


Parts Information:  
**Air Conditioning System Manifold with  
 Sight Glass**  
**Model No: VSAC002.V2**



Item	Part No.	Description
1	VSAC002.V2-01	Rubber Cover
2	VSAC002.V2-02	Manifold Body
3	VSAC002.V2-03	Pressure Gauge 500psi, 70mm Od, BTM Fitting
4	VSAC002.V2-04	Hook Set
5	VSAC002.V2-05	Pressure Gauge 350psi, 70mm Od, BTM Fitting
6	VSAC002.V2-06	Connector (Low Pressure)
7	VSAC002.V2-07	Connector (High Pressure)
8	VSAC002.V2-08	Valve Seat
9	VSAC002.V2-09	Valve Stem
10	VSAC002.V2-10	Valve Nut
11	VSAC002.V2-11	Knob, Metal, Red, OD: 37mm L: 25mm ID: 20mm, 5mm Sq. Female
12	VSAC002.V2-12	O-Ring, (Ex: 23.36 In: 17.18 Cs: 3.09)

Item	Part No.	Description
13	VSAC002.V2-13	Glass
14	VSAC002.V2-14	Ring Nut
15	VSAC002.V2-15	Connector
16	VSAC002.V2-16	Fitting (T-Shape)
17	VSAC002.V2-17	High Pressure Hose (Red) 16mm x 1500mm
18	VSAC002.V2-18	High Pressure Hose 11mm x 1148mm
19	VSAC002.V2-19	Low Pressure Hose (Blue)
20	VSAC002.V2-20	Connector
21	SA342.12	O-Ring, (Ex: 14.38 In: 10.82 Cs: 1.78)
22	VSAC002.V2-22	High Pressure Coupler + Valve (Red)
23	VSAC002.V2-23	Low Pressure Coupler + Valve (Blue)
--	VSAC002.V2-11B	Knob, Blue Plastic, OD: 38mm ID: 24mm, 5mm Female Fitting (Not Shown)

**NOTE:** It is our policy to continually improve products and as such we reserve the right to alter data, specifications and component parts without prior notice. There may be alternative versions of this product, please contact us should you require this information.

**IMPORTANT:** No liability is accepted for incorrect use of product. Spare parts must be fitted by a competent person

**WARRANTY:** Guarantee is 12 months from purchase date, proof of which will be required for any claim.