



13 PC AIR CONDITIONING PRESSURE TEST CONNECTOR KIT

MODEL NO: **VSAC135**

Thank you for purchasing a Sealey product. Manufactured to a high standard, this product will, if used according to these instructions, and properly maintained, give you years of trouble free performance.

IMPORTANT: PLEASE READ THESE INSTRUCTIONS CAREFULLY. NOTE THE SAFE OPERATIONAL REQUIREMENTS, WARNINGS & CAUTIONS. USE THE PRODUCT CORRECTLY AND WITH CARE FOR THE PURPOSE FOR WHICH IT IS INTENDED. FAILURE TO DO SO MAY CAUSE DAMAGE AND/OR PERSONAL INJURY AND WILL INVALIDATE THE WARRANTY. KEEP THESE INSTRUCTIONS SAFE FOR FUTURE USE.



Refer to instructions



Wear eye protection



Wear protective gloves



Wear safety footwear



Wear protective clothing

1. SAFETY

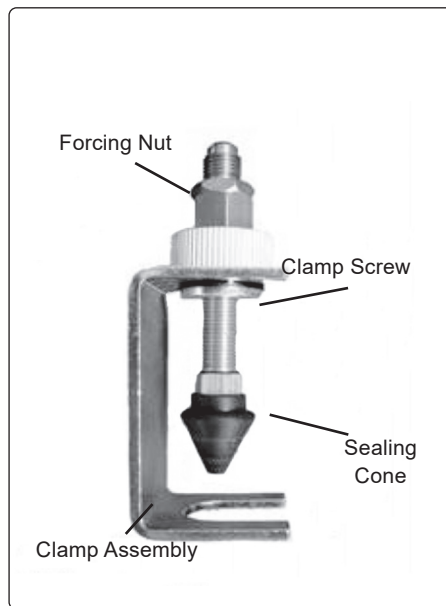
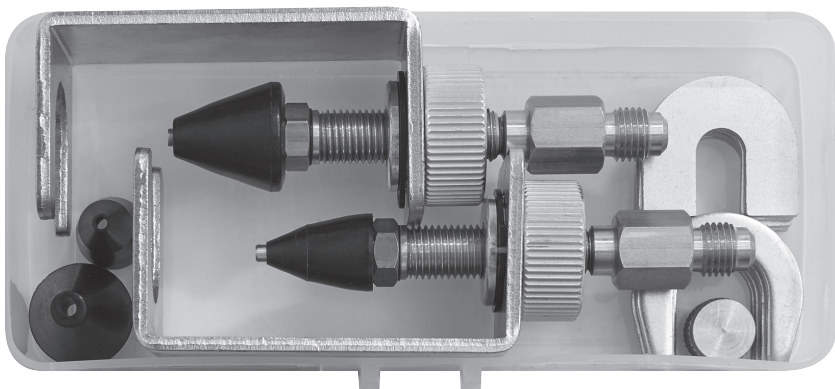
- WARNING!** Ensure that Health and Safety, local authority and general workshop practice regulations are adhered to when using tools.
 - WARNING!** Any work carried out on the A/C system should only be performed by an Air Conditioning service technician following the vehicle manufacturer's service instructions or a proprietary manual to establish the current procedure and data.
 - DO NOT** use if damaged.
 - Dispose of refrigerants according to local authority guidelines.
 - DO NOT** Allow refrigerant to vent to atmosphere.
 - Maintain in a good condition for prolonged life and safe use.
 - Wear suitable eye protection. A full range of personal safety equipment is available from your Sealey stockist.
 - Wear suitable protective clothing and gloves when working with refrigerant.
 - Wear suitable clothing to avoid snagging. **DO NOT** wear jewellery and tie back long hair.
 - Account for all tools and parts being used and **DO NOT** leave them on or near the engine.
 - On completion of work, put the equipment back and store in a cool, dry, childproof location.
 - WARNING:** The warnings, cautions and instructions discussed in this instruction manual cannot cover all possible conditions and situations that may occur. It must be understood that common sense and caution are factors which cannot be built into this product, but must be applied by the operator.
- IMPORTANT:** These instructions are provided as a guide only. Always refer to the vehicle manufacturer's service instructions, or a proprietary manual, to establish the current procedure and data.

2. INTRODUCTION

Designed to be suitable for a wide variety of vehicle air conditioning systems. Allows systems to be pressured for the purposes of leak testing prior to repair and re-gassing. Connectors included for both high and low pressure fittings.

3. CONTENTS

Refer to attached Parts List for model numbers and contents descriptions.



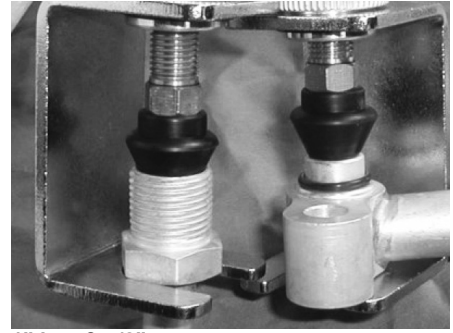
4. APPLICATIONS



R134a hi & low side port



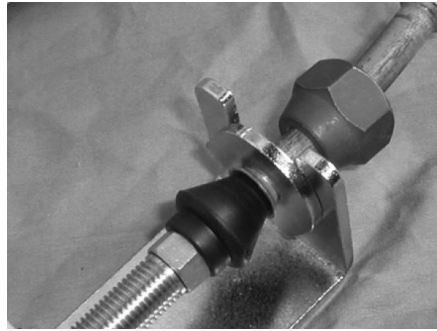
3/4" & 1/2"



1" hex & 7/8"



A/C service port



3/8"



1/4" MFL

5. OPERATION

- WARNING!** Pressurised refrigerant may be present in hoses. De-pressurise system before use. Never direct hoses toward yourself or any other persons.
- 5.1. Select the correct support plate to fit the tube or line fitting, locate over the connection and turn the clamp screw until the cone is seated against the end of tube.
- 5.2. While holding the clamp screw by hand, Rotate the force nut 1/4 turn. The leak test gas system can now be connected ensuring gas safety procedures and instructions are followed.

6. MAINTENANCE

- 6.1. Generally keep clean from dirt and grime to improve product life.



ENVIRONMENT PROTECTION

Recycle unwanted materials instead of disposing of them as waste. All tools, accessories and packaging should be sorted, taken to a recycling centre and disposed of in a manner which is compatible with the environment. When the product becomes completely unserviceable and requires disposal, drain any fluids (if applicable) into approved containers and dispose of the product and fluids according to local regulations.

Note: It is our policy to continually improve products and as such we reserve the right to alter data, specifications and component parts without prior notice.

Important: No Liability is accepted for incorrect use of this product.

Warranty: Guarantee is 12 months from purchase date, proof of which is required for any claim.

Sealey Group, Kempson Way, Suffolk Business Park, Bury St Edmunds, Suffolk. IP32 7AR



01284 757500



01284 703534



sales@sealey.co.uk



www.sealey.co.uk