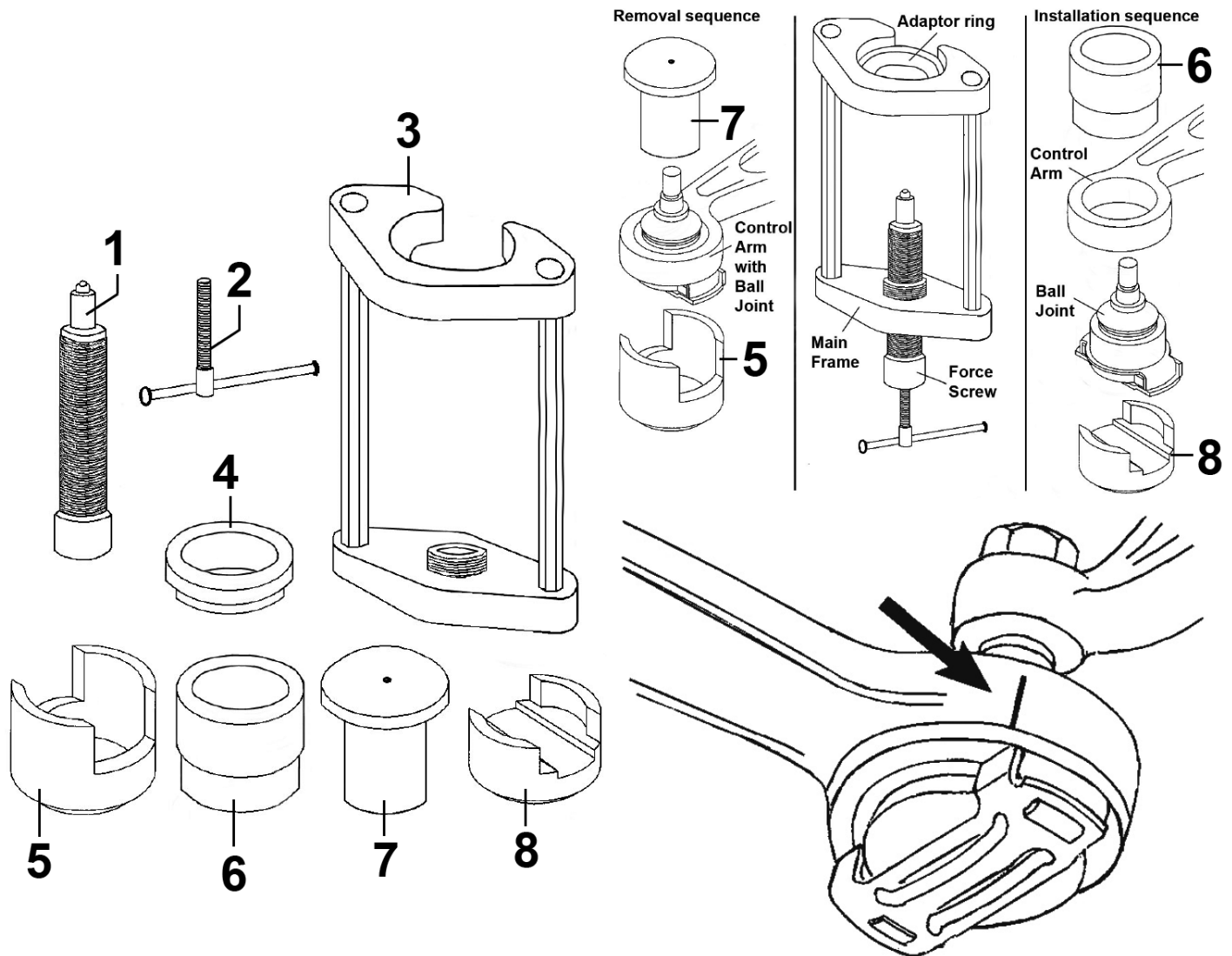


Parts Information:  
**Hydraulic Ball Joint Installation/Removal  
 Kit - BMW**  
**Model No: VSE127H**



Item	Part No.	Description
1	VSE127H.01	Hydraulic Ram
2	VSE127H.02	T-Handle
3	VSE127H.03	Main Body
4	VSE127H.04	Firm Bushing

Item	Part No.	Description
5	VSE127H.05	Adaptor-A
6	VSE127H.06	Adaptor-B
7	VSE127H.07	Adaptor-C
8	VSE127H.08	Adaptor-D

**NOTE:** It is our policy to continually improve products and as such we reserve the right to alter data, specifications and component parts without prior notice. There may be alternative versions of this product, please contact us should you require this information.

**IMPORTANT:** No liability is accepted for incorrect use of product. Spare parts must be fitted by a competent person

**WARRANTY:** Guarantee is 12 months from purchase date, proof of which will be required for any claim.