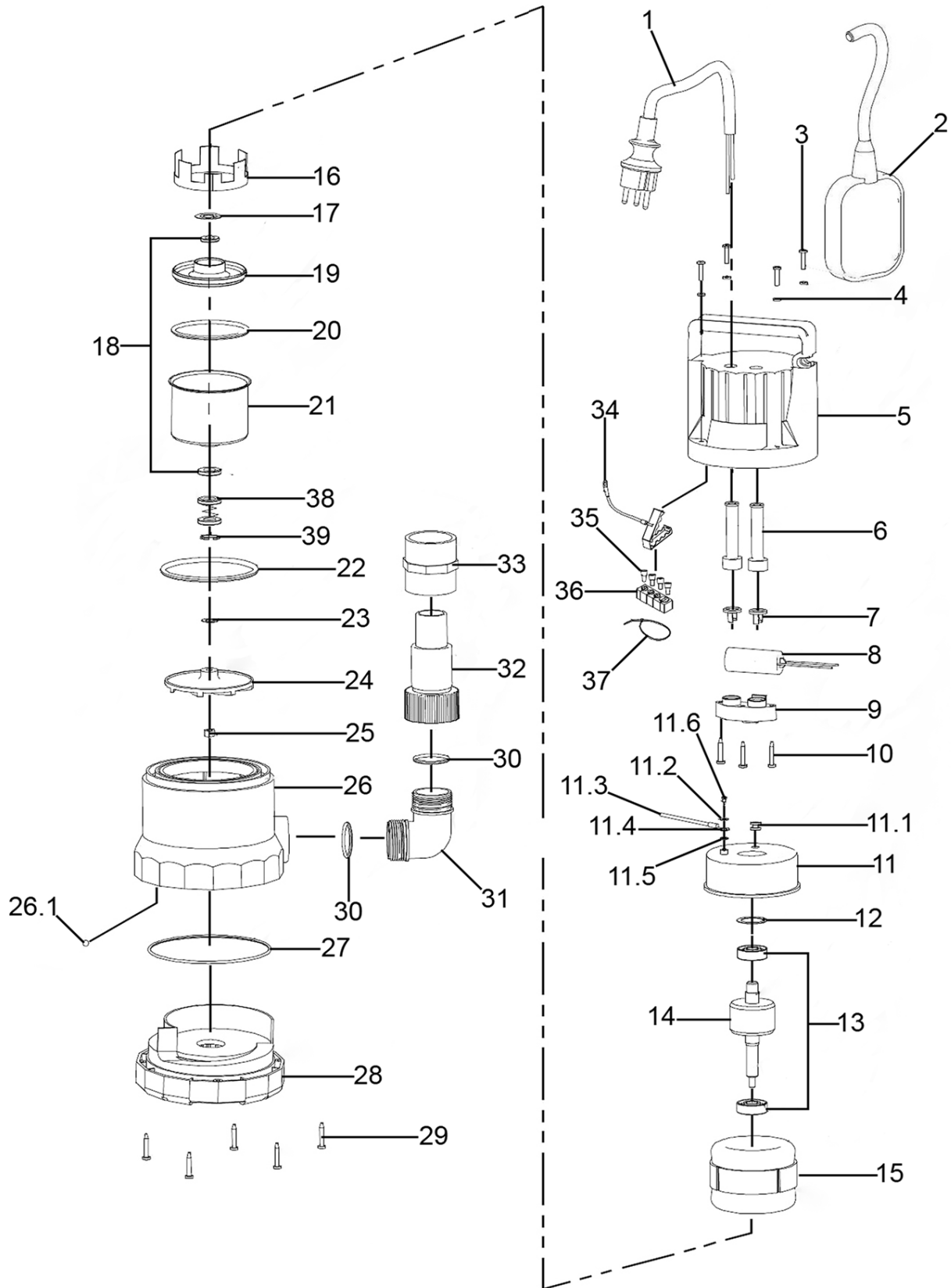




Parts Information:
**Submersible Water Pump Automatic 250L/
min 230V**
Model No: WPC250A



NOTE: It is our policy to continually improve products and as such we reserve the right to alter data, specifications and component parts without prior notice. There may be alternative versions of this product, please contact us should you require this information.

IMPORTANT: No liability is accepted for incorrect use of product. Spare parts must be fitted by a competent person

WARRANTY: Guarantee is 12 months from purchase date, proof of which will be required for any claim.

Sealey Group, Kempson Way, Suffolk Business Park, Bury St Edmunds, Suffolk. IP32 7AR



01284 757500



sales@sealey.co.uk



www.sealey.co.uk



Parts Information:
**Submersible Water Pump Automatic 250L/
min 230V**
Model No: WPC250A

Item	Part No.	Description
1	WP08701001	Power Cable
2	WPC250A.02	Float Switch 10A 250V IP68
3	WPC250.02	Rd Head S/T Screw M4 x 22mm
4	FWM4.S	Flat Washer M4
5	WPC250.04	Rear Pump Housing
6	WP05201036	Cable Sheath
7	WP05602008	Cable Buckle
8	WPC250.08	Capacitor 16 μ F
9	WP05501001	Cable Grip
10	WP07802018	Self-Tapping Screw
11	WP02602004	Rear Cover
11.1	WP05202003	Cable Sheath
11.2	WPC250.11-2	Washer
11.3	WP08601010	Wire (Yellow/Green)
11.4	WP04102006	Wire Connecting Pad
11.5	WPC250.11-5	Washer
11.6	WP818	Bolt M4 x 8mm
12	WP03801001	Wave Washer
13	B/6201ZZ	Bearing
14	WPC250.14	Rotor
15	WPC250.15	Stator
16	WPC250.16	Bushing
17	WP03802023	Washer
18	WPC250.18	Seal
19	WP04204001	Aluminum Bushing

Item	Part No.	Description
20	WPC250.20	O-Ring (92.38 x 85.32 x 3.53)
21	WPC250.21	Front Cover
22	WPC250.22	O-Ring (94.83 x 84.37 x 5.23)
23	WPC250.23	Adjustable Washer
24	WPC250.24	Impeller
25	NLN8.S	Nyloc Nut M8
26	WPC250.26	Pump Body
26.1	WP3086	Steel Ball
27	WPC250.27	O-Ring (126.88 x 121.96 x 2.46)
28	WPC250.28	Base
29	WPC100.V2-16	Rd Head S/T Screw M4 x 30mm
30	YAJ30H.J47	O-Ring (44.58 x 39.34 x 2.62)
31	WPC250.31	Elbow
32	WPC250.32	Outlet Connector
33	WPC250.33	Flexible Connector
34	WP04105006	Ground Cover
35	WP04101001	Nylon Safety Press Line Cap
36	WP03203012	Rubber Clip
37	WP08501001	Cable tie / Cable tie
38	WP06101007	Mechanical seal / Mechanical seal
39	WPC250.39	Block / Block
--	WPC250.04-1	Handle Cover (Not Shown)
--	WPD235AV2.05B	Rear Pump Housing (Not Shown)
--	WPC250.23-1	Adjustable Washer (Not Shown)
--	WP04101003	Nylon Safety Press Line Cap (Not Shown)

NOTE: It is our policy to continually improve products and as such we reserve the right to alter data, specifications and component parts without prior notice. There may be alternative versions of this product, please contact us should you require this information.

IMPORTANT: No liability is accepted for incorrect use of product. Spare parts must be fitted by a competent person

WARRANTY: Guarantee is 12 months from purchase date, proof of which will be required for any claim.

Sealey Group, Kempson Way, Suffolk Business Park, Bury St Edmunds, Suffolk. IP32 7AR



01284 757500



sales@sealey.co.uk



www.sealey.co.uk