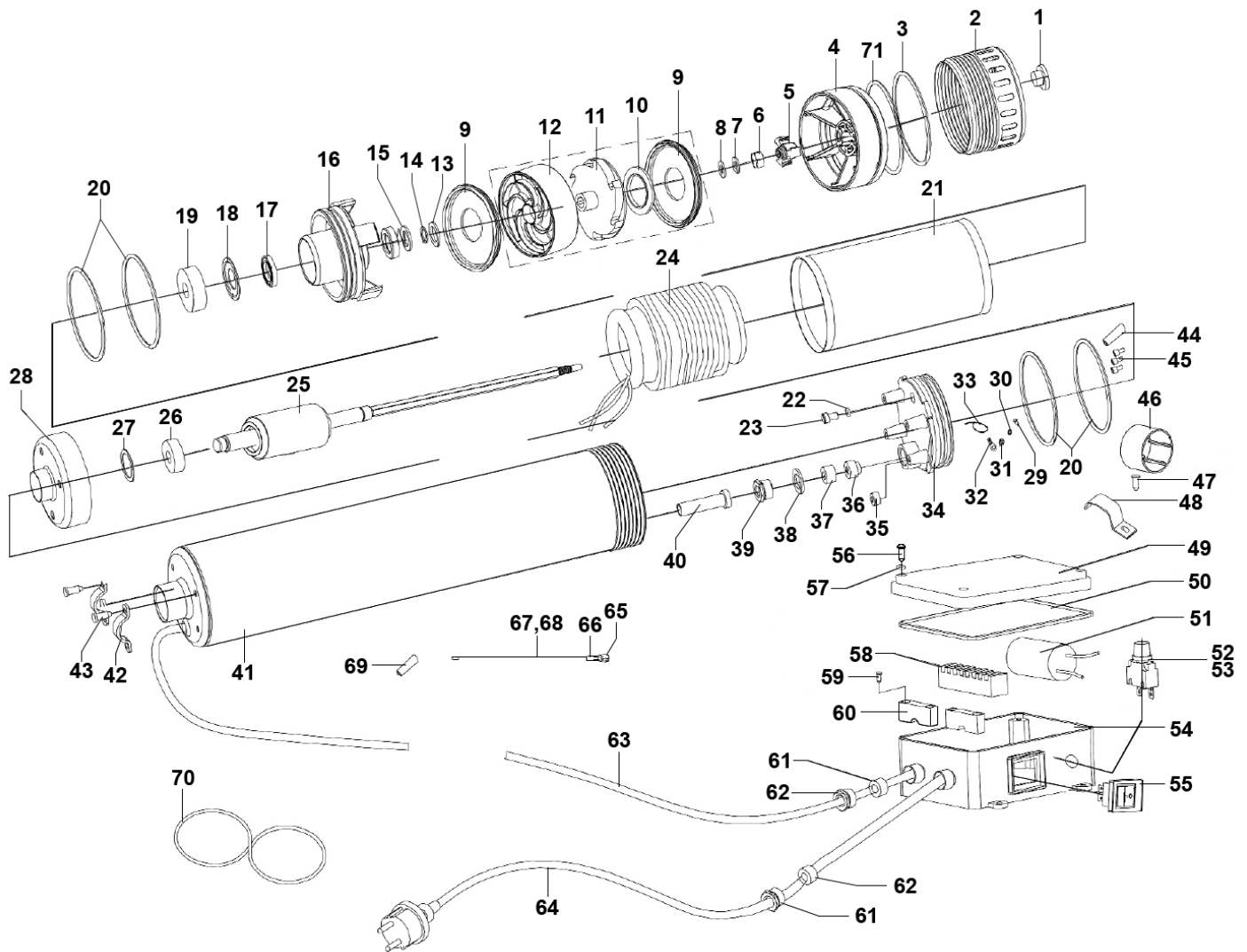




Parts Information:
Borehole/Deep Well Pump 55m Head
9-Stage 230V
Model No: WPW9355



Item	Part No.	Description
1	WP04701003	Blanking Cap
2	WP00610001	Base
3	PW2000.P24	O-Ring, (Ex: 93.81 In: 88.57 Cs: 2.62)
4	WP05105009	Main Body Seal Jacket
5	WP05303001	Locating Ring
6	SN8.S	Steel Nut M8 Zinc
7	WP9718201	Flat Washer
8	WP8598201	Spring Washer
9	WP03603008	Diversion Dish Cover
10	WP05106001	Plastic Seal
11	WP00904036	Impeller
12	WP03601020	Diversion Plate
13	WP03804023	Washer

Item	Part No.	Description
14	WP894115	External Circlip 13.7mm ID
15	WP06102010	Mechanical Seal
16	WP02613001	Lower Bearing Frame
17	WP05102006	Seal Ring
18	WP04303008	Lantern Ring
19	WP05101110	O-Ring, (Ex: 100.16 In: 94.92 Cs: 2.62)
20	B.6302ZZ	Bearing 6302ZZ
21	WP02411002	Stainless Steel Motor Case
22	SA802.23	O-ring, (Ex: 9.63 In: 6.07 Cs: 1.78)
23	WP65610201	Screw M6
24	WP02202070	Stator
25	WP02301064	Rotor
26	B/6201ZZ	Bearing 6201zz

NOTE: It is our policy to continually improve products and as such we reserve the right to alter data, specifications and component parts without prior notice. There may be alternative versions of this product, please contact us should you require this information.

IMPORTANT: No liability is accepted for incorrect use of product. Spare parts must be fitted by a competent person

WARRANTY: Guarantee is 12 months from purchase date, proof of which will be required for any claim.

Sealey Group, Kempson Way, Suffolk Business Park, Bury St Edmunds, Suffolk. IP32 7AR



01284 757500



sales@sealey.co.uk



www.sealey.co.uk



Parts Information:
**Borehole/Deep Well Pump 55m Head
9-Stage 230V
Model No: WPW9355**

Item	Part No.	Description
27	WP03801001	Wave Washer
28	WP07102001	Distance Sleeve
29	WP818	Screw M4x8
30	WP934	Spring Washer
31	WP86224	Washer
32	WP04102027	Plate
33	WP08501001	Cable Tie
34	WP02513003	Upper Bearing Frame
35	WP03204030	Seal Cartridge
36	WP03204025	Quadripuntal Seal Washer
37	WP03204031	Cable Seal Ring
38	WP03804005	Brass Tableting
39	WP06003001	Locknut
40	WP05201013	Cable Jacket
41	WP01011012	Stainless Steel Main Body
42	WP01203002	Rings
43	WP818C	Screw M5x15
44	WP08307001	Heat Shrinking Tube
45	WP04101003	Nylon Safety Press Line Cap
46	WP04304007	Capacity Brush
47	S0685.V2-26	Rd Head S/T Screw M4 X 13
48	WP05601005	Capacity Pressing Buckle
49	WP04601008	Switch Housing Cover

Item	Part No.	Description
50	WP05101016	O-Ring, (Ex: 146.65 In: 139.76 Cs: 3.45)
51	WP16450	Capacitor 16uf Capacity
52	WP01410002	Overload Protector
53	WP03203009	Seal Washer
54	WP04602008	Switch Housing
55	WP01405007	Switch (On/Off) Red Rocker c/w Cover 12a 250v
56	WP845K	Self-Tapping Screw ST4.2x24
57	WP05101122	O-Ring
58	WP04103001	Binding Post
59	WP845H	Self-Tapping Screw ST4.2x18
60	WP05501003	Cable Grip
61	WP03204029	Cable Seal Block
62	WP06002003	Cable Pressing Nut
63	WP01804001	Cable
64	WP087010172	Power Line
65	WP04102018	Socket
66	WP08302001	Heat shrinking Tube
67	WP08602010	Internal Wire
68	WP08602012	Internal Wire
69	WP08301001	Heat Shrink Tube
70	WP08502003	Lifting Rope
71	WP05101084	O-Ring, (Ex: 88.83 In: 86.43 Cs: 1.20)

NOTE: It is our policy to continually improve products and as such we reserve the right to alter data, specifications and component parts without prior notice. There may be alternative versions of this product, please contact us should you require this information.

IMPORTANT: No liability is accepted for incorrect use of product. Spare parts must be fitted by a competent person

WARRANTY: Guarantee is 12 months from purchase date, proof of which will be required for any claim.

Sealey Group, Kempson Way, Suffolk Business Park, Bury St Edmunds, Suffolk. IP32 7AR



01284 757500



sales@sealey.co.uk



www.sealey.co.uk