



FLOOR TRANSMISSION JACKS

MODEL NO: 1000E.V2, 1500E.V2

Thank you for purchasing a Sealey product. Manufactured to a high standard, this product will, if used according to these instructions, and properly maintained, give you years of trouble free performance.

IMPORTANT: PLEASE READ THESE INSTRUCTIONS CAREFULLY. NOTE THE SAFE OPERATIONAL REQUIREMENTS, WARNINGS & CAUTIONS. USE THE PRODUCT CORRECTLY AND WITH CARE FOR THE PURPOSE FOR WHICH IT IS INTENDED. FAILURE TO DO SO MAY CAUSE DAMAGE AND/OR PERSONAL INJURY AND WILL INVALIDATE THE WARRANTY. KEEP THESE INSTRUCTIONS SAFE FOR FUTURE USE.



Refer to instructions



Wear safety footwear

1. SAFETY

- ❑ **WARNING:** The warnings, cautions and instructions discussed in this instruction manual cannot cover all possible conditions and situations that may occur. It must be understood that common sense and caution are factors which cannot be built into this product, but must be applied by the operator.
- ❑ **WARNING!** Ensure all preliminary checks are carefully carried out before use of jack. Immediately repair or replace damaged parts (use authorised service agent). Ensure use of genuine parts only. Unauthorised parts may be dangerous and will invalidate the warranty.
- ❑ **WARNING!** Use jack on level, solid ground, preferably concrete. Ensure the floor over which the jack will be transported is swept clean.
- ▲ **DANGER! DO NOT** use on tarmac, or any other soft surface as jack may sink or topple. Serious injury may result if ignored.
- ▲ **DANGER!** If jack tips or leans **STOP WHAT YOU ARE DOING. MOVE QUICKLY TO A SAFE DISTANCE. DO NOT TRY TO HOLD OR STEADY JACK.**
- ✓ Use jack in a suitable work area. Keep the area clean and tidy and free from unrelated materials. Ensure there is adequate lighting.
- ✓ Before use ensure the gearbox weight and size does not exceed the capacity of the jack.
- ✓ Ensure the vehicle is raised and stabilised at the correct height before attempting to move the jack under the vehicle.
- ✓ Ensure the jack saddle is fully lowered and is clean, dry, and oil free before attempting to transport the jack with or without a load.
- ✓ Keep all unauthorised persons away from the jack during lifting and lowering and when in transit.
- ✓ Maintain correct balance and footing. Ensure the floor is not slippery and wear non-slip shoes.
- ✓ Remove ill fitting clothing. Remove ties, watches, rings and other loose jewellery, and contain and/or tie back long hair.
- ❑ **WARNING!** Ensure that the load is placed level and centrally on the jack saddle and that it is fixed in place before attempting to lift, lower or transport the load.
- ✓ The lowering speed will vary according to the weight of the load and the release valve setting.
- ✓ Diligence is required in ensuring that you continually monitor the operation until completed.
- ✓ Should the jack make any abnormal sounds during use, STOP IMMEDIATELY and contact your local service agent.
- * **DO NOT** operate the jack if any parts are damaged or missing.
- * **DO NOT** exceed the rated capacity of the jack.
- * **DO NOT** raise/lower vehicle lifting platform whilst the transmission jack is being used.
- * **DO NOT** transport the jack with/without a load, with the saddle in the raised position.
- * **DO NOT** get the jack wet, or use it in damp or wet locations or areas where there is condensation.
- * **DO NOT** operate the jack when you are tired or under the influence of alcohol, drugs or intoxicating medication.
- * **DO NOT** lift or support vehicles with the jack and **DO NOT** use the jack as a load sustaining device.
- * **DO NOT** use the jack for any purpose other than removal, transportation and the installation of transmissions.
- * **DO NOT** make any modifications to the jack.
- * **DO NOT** adjust, or tamper with, the safety valve.
- * **DO NOT** remove any labels from the jack. If the labels are damaged or unclear, replace them.
- * **DO NOT** use brake fluid to top up the hydraulic unit.
- ✓ Use Sealey hydraulic oil only.
- ✓ Use a qualified person to lubricate and maintain the jack.
- ✓ Before storing the jack in a safe area, ensure that all parts, especially the saddle are clean and free of grease and oil.

2. INTRODUCTION

Heavy-duty model supplied with chain for safe loading. Precision valve allows delicate adjustment when taking out gearbox and realigning during replacement. Four castors for extra manoeuvrability in confined spaces. Fully adjustable saddle with forward, backward and side-to-side tilt.

3. SPECIFICATION

Model No..... 1000E.V2
 Capacity..... 1000kg
 Maximum Saddle Height..... 885mm
 Minimum Saddle Height..... 180mm
 Overall Width/Length:..... 650/1080mm
 Saddle Tilt - Backward:.....22°
 Saddle Tilt - Forward:.....25°
 Saddle Tilt - Side-to-Side:.....12°

Model No:.....1500E.V2
 Capacity:.....1500kg
 Maximum Saddle Height:.....950mm
 Minimum Saddle Height:.....215mm
 Overall Width/Length:......655/1100mm
 Saddle Tilt - Backward:.....15°
 Saddle Tilt - Forward:.....10°
 Saddle Tilt - Side-to-Side:.....12°

4. PRE-USE CHECK LIST

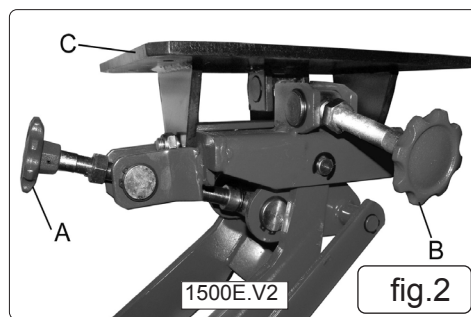
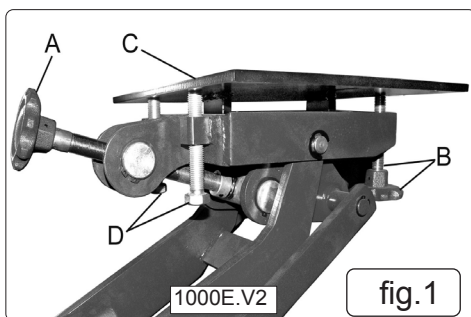
4.1. **NOTE:** Before each use, check that the jack is in sound working order, use following list to form a habitual pre-check procedure. Check items are not: damaged, broken, cracked, bent, malfunctioning, distorted, worn, loose, leaking, dirty, noisy or missing, or that there is any damage to the welds.

- | | | |
|-------------------------|----------------------------------|------------------------------|
| 1. Saddle attachments | 6. Cylinder/Hydraulic unit | 11. Pump handle |
| 2. Saddle base | 7. Stopper rings and cotter pins | 12. Swivel caster wheels |
| 3. Saddle tilt controls | 8. All nuts and bolts | 13. Ring chain, hooks & pins |
| 4. Tilt mechanism | 9. All seals | |
| 5. Piston rod | 10. Jack main frame | |

WARNING! DO NOT use jack if any suspect part is found, or if believed to have been subjected to abnormal load or shock. Immediately remove from service and contact your authorised service agent.

NOTE: Before using the jack for the first time, purge the hydraulic circuit in order to eliminate any air that may have accumulated in the system during transit, as follows:

- 4.1.1. Open the release valve by turning the knob anti-clockwise.
 4.1.2. Pump the jack handle up and down 15 to 20 times.
 4.1.3. Turn the release valve clockwise to close it.



5. OPERATION

5.1. SADDLE TILT MECHANISM.

5.1.1. Adjusting the pitch and tilt of the saddle will assist in safely supporting and transporting the gearbox. The saddle (figs.1 & 2.C) may be tilted forwards and backwards by turning adjuster (figs.1 & 2.A) and tilted to the left or right by turning adjuster (fig.2.B) for model 1500E.V2, or the adjusters and bolts (fig.1.B & D) for model 1000E.V2.

- WARNING!** Before use, ensure you have read, understood and apply Section 1 safety instructions.
 WARNING! Ensure that the vehicle is prepared correctly before attempting to use the Transmission Jack.

5.2. POSITIONING THE JACK BENEATH LOAD

- 5.2.1. Before use, check to ensure that the transmission's weight and size do not exceed the capacities of the jack.
 5.2.2. Ensure that the vehicle from which the transmission is to be removed is correctly positioned, raised and locked on an appropriate lift system.
 5.2.3. Ensure that there are no other persons around or under the vehicle.
 5.3. Ensure saddle is in its lowest position, and use the handle to transport and centrally position jack beneath the vehicle's transmission.

- 5.3.1. Close the jack release valve by turning the knob clockwise.
- 5.3.2. Pump the jack handle up and down repeatedly to raise the saddle.
- 5.4. When the saddle is just beneath the transmission, re-adjust the alignment if necessary, to centralise the saddle.
- 5.4.1. Adjust the tilt adjusters (see section 4.1.) if required for final positioning of the saddle.
- 5.4.2. Raise the saddle further to support the transmission. Remove the transmission from the vehicle.
- 5.4.3. Position and attach the safety chains correctly for further security.
- 5.4.4. Ensure that the load is secure before proceeding to lower it.
- 5.5. **LOWERING THE LOAD**
 - ☐ **WARNING!** Ensure the load is central and stable on the jack saddle before attempting to lower the load. SLOWLY turn the release valve knob anti-clockwise to gently lower the saddle to the minimum height before attempting to transport the load.
 - NOTE:** Speed of lowering is controlled by the release valve. The further the valve knob is turned, the more rapid the jack's descent. Ensure the jack's descent is slow and controlled to avoid the risk of sudden dropping which could be very dangerous.
- 5.6. **TRANSPORTING THE LOAD**
 - 5.6.1. Ensure that the jack saddle is fully lowered, if required, use another support chain to secure the load, ensuring that they are all pulled taut and engaged into the slots on the saddle. Tighten all the nuts.
 - 5.6.2. Transport the load over level and solid ground, preferably concrete, and ensure the floor is swept clean beforehand.
 - 5.6.3. Be diligent by continually monitoring the load in transit. Keep all other persons at a safe distance.
 - * **DANGER! DO NOT** use on tarmacadam, or any soft surface as jack may sink or topple. Serious personal or fatal injury may result.
 - DANGER!** If the jack tips or leans, stop what you are doing. Move quickly to a safe distance. Do not try to hold or steady the jack. Serious personal or fatal injury may result.
- 5.6.4. **INSTALLING A GEARBOX**
 - 5.6.4. Manoeuvre the jack and load to reposition beneath the vehicle, raise the load up, reversing the procedures outlined above.

6. MAINTENANCE

NOTE: Only fully qualified personnel should attempt maintenance or repair.

- 6.1. When the jack is not in use, the saddle must be in the lowest position to minimise ram and piston corrosion.
- 6.2. Keep the jack clean and wipe off any oil or grease. Lubricate all moving parts with acid free oil.
- 6.3. The oil cylinder is a sealed unit and must not be accessed. For service contact your authorised stockist.
 - ☐ **WARNING!** Only a good quality Jack oil, such as SEALEY hydraulic jack oil must be used. **DO NOT** use brake fluid.
- 6.4. Before each use, follow the pre-check list to ensure components are not damaged, broken, cracked, bent, malfunctioning, distorted, worn or loose.
- 6.5. Ensure there is no visible damage to welds. If any suspect item is found, remove the jack from service and take the necessary action to remedy the problem.
 - * **DO NOT** use the jack if you believe it to have been subjected to abnormal load or shock.
- 6.6. Periodically check the pump piston and piston rod for signs of corrosion.
- 6.7. Clean exposed areas with a clean oiled cloth.
 - NOTE!** No responsibility is accepted for incorrect use of the jack.
 - Hydraulic products are only repaired by local service agents. We have service/repair agents in all parts of the UK.
 - * **DO NOT** Return the jack to us. Please telephone 01284 757500 to obtain the address and 'phone number of your local agent. If the jack is under guarantee, please contact your local stockist.

7. TROUBLESHOOTING

PROBLEM	CAUSE	SOLUTION
Jack will not lift.	No hydraulic oil, or defective suction valve or delivery valve. Release valve is open.	Contact authorised service agent. Close release valve.
Jack will only lift halfway.	Hydraulic oil low or excess of hydraulic oil.	Contact authorised service agent
Raised load will not hold.	Defective valves, or defective piston packing.	Contact authorised service agent
Poor Lifting	Defective plunger packing	Contact authorised service agent



ENVIRONMENT PROTECTION

Recycle unwanted materials instead of disposing of them as waste. All tools, accessories and packaging should be sorted, taken to a recycling centre and disposed of in a manner which is compatible with the environment. When the product becomes completely unserviceable and requires disposal, drain any fluids (if applicable) into approved containers and dispose of the product and fluids according to local regulations.



REGISTER YOUR PURCHASE HERE

Note: It is our policy to continually improve products and as such we reserve the right to alter data, specifications and component parts without prior notice. Please note that other versions of this product are available. If you require documentation for alternative versions, please email or call our technical team on technical@sealey.co.uk or 01284 757505.

Important: No Liability is accepted for incorrect use of this product.

Warranty: Guarantee is 12 months from purchase date, proof of which is required for any claim.

Sealey Group, Kempson Way, Suffolk Business Park, Bury St Edmunds, Suffolk. IP32 7AR

01284 757500

sales@sealey.co.uk

www.sealey.co.uk