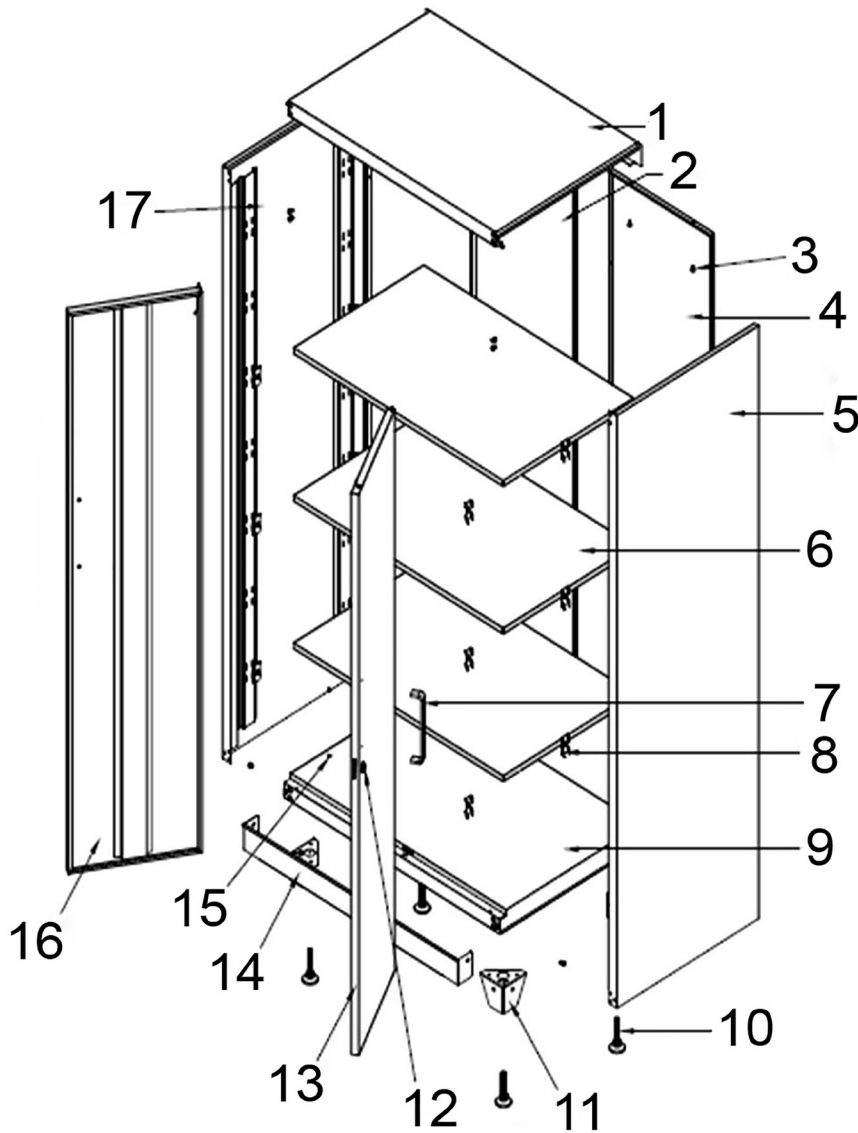


Parts Information:
Modular Full Height Floor Cabinet 930mm
Heavy-Duty
Model No: APMS05.V2



Item	Part No.	Description	Qty
1	APMS-110223	Top Panel	1
2	APMS-236087	Back Panel, Left	1
3	MSP612.SB	Machine Screw Pan Head Phillips M6 x 12mm	44
4	APMS-236088	Back Panel, Right	1
5	APMS-110222	Side Panel, Right	1
6	APMS-220529	Shelf	3
7	APMS-301650	Handle	2
8	APMS-226078	Support, Shelf	12
9	APMS-113690	Bottom Panel	1
10	APMS-313004	Adjustable Foot	4
11	APMS-117485	Feet	4

Item	Part No.	Description	Qty
12	PTB-304007	Lock and Key (Number 1201)	1
12	PTB-304007A	Lock and Key (Number 1202)	--
12	PTB-304007B	Lock and Key (Number 1203)	--
12	PTB-304007C	Lock and Key (Number 1204)	--
13	APMS-110228N1	Door, Right (c/w Locking Bar, Lock & Key, Handle)	1
14	APMS-220617	Cabinet Support	1
15	MSP48.S	Machine Screw Pan Head Phillips M4 X 8 mm	12
16	APMS-110227N2	Door, Left (c/w Handle)	1
17	APMS-110221	Side Panel, Left	1
--	APMS-551770	Shelf Liner (Not Shown)	3

NOTE: It is our policy to continually improve products and as such we reserve the right to alter data, specifications and component parts without prior notice. There may be alternative versions of this product, please contact us should you require this information.

IMPORTANT: No liability is accepted for incorrect use of product. Spare parts must be fitted by a competent person

WARRANTY: Guarantee is 12 months from purchase date, proof of which will be required for any claim.