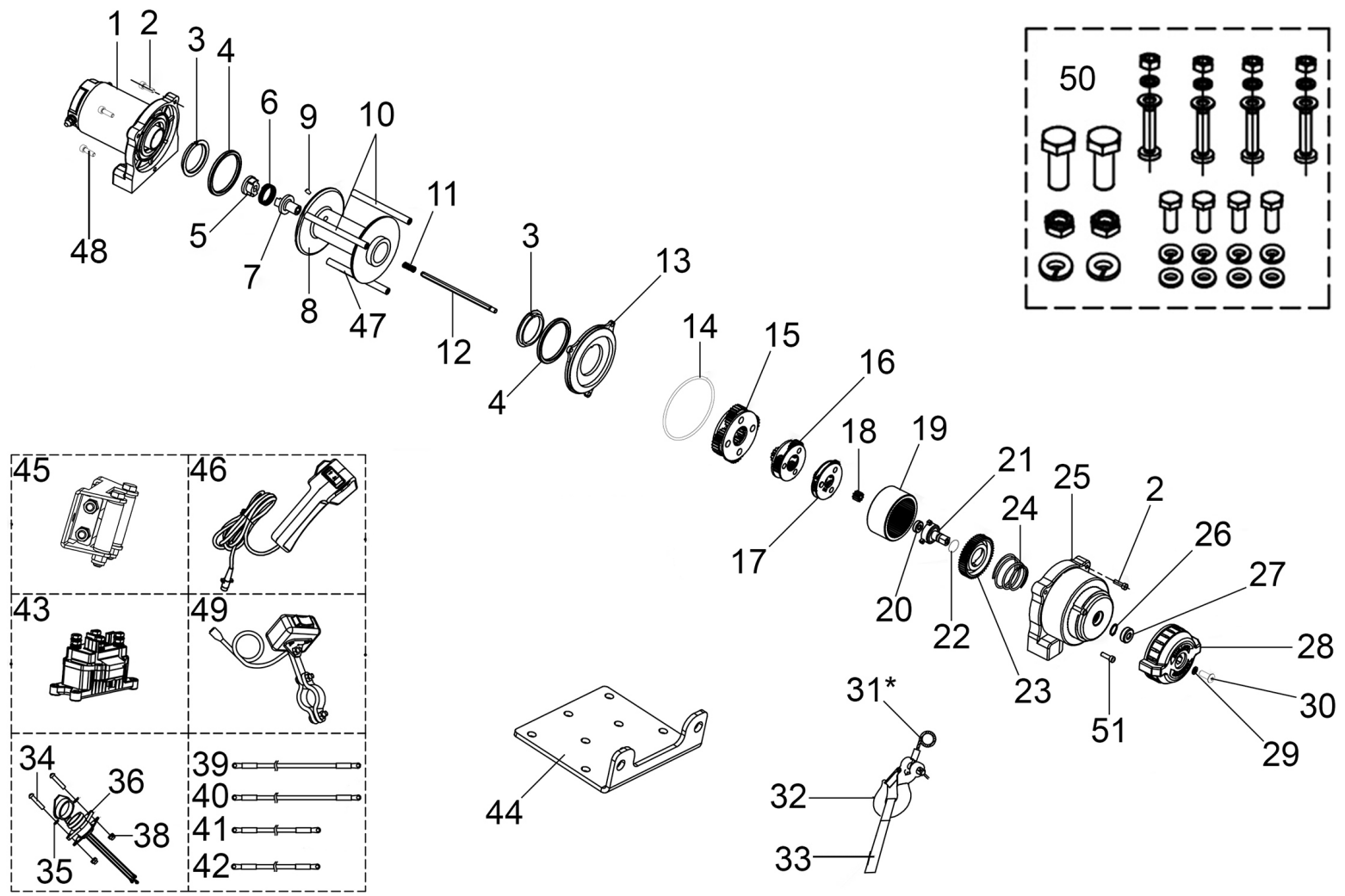




Parts Information:  
ATV/Quad Recovery Winch 2040kg (4500lb) Line Pull 12V  
Model No: ATV2040.V2



**NOTE:** It is our policy to continually improve products and as such we reserve the right to alter data, specifications and component parts without prior notice.

There may be alternative versions of this product, please contact us should you require this information.

**IMPORTANT:** No liability is accepted for incorrect use of product. Spare parts must be fitted by a competent person

**WARRANTY:** Guarantee is 12 months from purchase date, proof of which will be required for any claim.

Sealey Group, Kempson Way, Suffolk Business Park, Bury St Edmunds, Suffolk. IP32 7AR

01284 757500 | sales@sealey.co.uk | www.sealey.co.uk



Parts Information:  
ATV/Quad Recovery Winch 2040kg  
(4500lb) Line Pull 12V  
Model No: ATV2040.V2

Item	Part No.	Description
1	ATV2040.V2-01	Motor Assembly 12V 1.35HP 1Kw
2	SCB516.S	Socket Cap Bolt M5 x 16mm
3	ATV2040.V2-03	Drum Bushing
4	ATV2040.V2-04	Packing Seal
5	ATV2040.V2-05	Coupling A
6	ATV2040.V2-06	Spring, Coupling
7	ATV2040.V2-07	Coupling B
8	ATV2040.V2-08	Drum Assembly
9	ATV2040.08	Csk Head Screw M5 x 10mm
10	ATV2040.V2-10	Tie Bar
11	ATV2040.V2-11	Spring
12	ATV2040.V2-12	Hexagon Shaft
13	ATV2040.V2-13	Clutch Cover
14	ATV2040.V2-14	O-Ring 100 x 1.9mm
15	ATV2040.V2-15	Gear Carrier Assembly, Output
16	ATV2040.V2-16	Gear Carrier Assembly
17	ATV2040.V2-17	Gear Carrier Assembly, Input
18	ATV2040.V2-18	Sun Gear, input
19	ATV2040.V2-19	Gear Ring B
20	B/606ZZ	Bearing
21	ATV2040.V2-21	Bushing, Axis Support
22	ATV2040.V2-22	O-Ring 19 x 2.4mm
23	ATV2040.V2-23	Cam Clutch Gear
24	ATV2040.V2-24	Spring, Clutch
25	ATV2040.V2-25	Gear Housing
26	ATV2040.V2-26	Circlip 15mm

Item	Part No.	Description
27	ATV2040.V2-27	Bearing
28	ATV2040.V2-28	Free Spool Handle
29	SWM6.S	Spring Washer M6
30	SCB616.S	Socket Cap Bolt M6 x 16mm
31*	ATV2040.WR	Wire Rope 5.4mm x 17mtr <b>(See Catalogue)</b>
32	WH.01	Winch Hook 1/4"
33	ATV2040.V2-33	Handsaver
34	SS525.S	Hex Head Set Screw M5 x 25mm
35	FWM5.S	Flat Washer M5
36	ATV2040.V2-36	Hand Remote 3-PIN Connector
38	SN5.S	Steel Nut M5
39	ATV2040.V2-39	Motor Wire Set (Yellow)
40	ATV2040.V2-40	Motor Wire Set (Blue)
41	ATV2040.V2-41	Motor Wire Set (Red)
42	ATV2040.V2-42	Motor Wire Set (Black)
43	ATV2040.V2-43	Contactora
44	ATV2040.V2-44	Mounting Plate
45	ATV2040.V2-45	Roller Fairlead
46	ATV2040.V2-46	Hand Remote Assembly
47	ATV2040.V2-47	Hexagon Tie Bar
48	SCB410.S	Socket Cap Bolt M4 x 10mm
49	ATV2040.V2-49	Rocker Switch
50	ATV2040.V2-50	Hardware Kit
51	SCB416.S	Socket Cap Bolt M4 x 16mm
--	ATV2040.V2-37	Water-Proof Cover (Not Shown)

**NOTE:** It is our policy to continually improve products and as such we reserve the right to alter data, specifications and component parts without prior notice. There may be alternative versions of this product, please contact us should you require this information.

**IMPORTANT:** No liability is accepted for incorrect use of product. Spare parts must be fitted by a competent person

**WARRANTY:** Guarantee is 12 months from purchase date, proof of which will be required for any claim.

Sealey Group, Kempson Way, Suffolk Business Park, Bury St Edmunds, Suffolk. IP32 7AR



01284 757500



sales@sealey.co.uk



www.sealey.co.uk