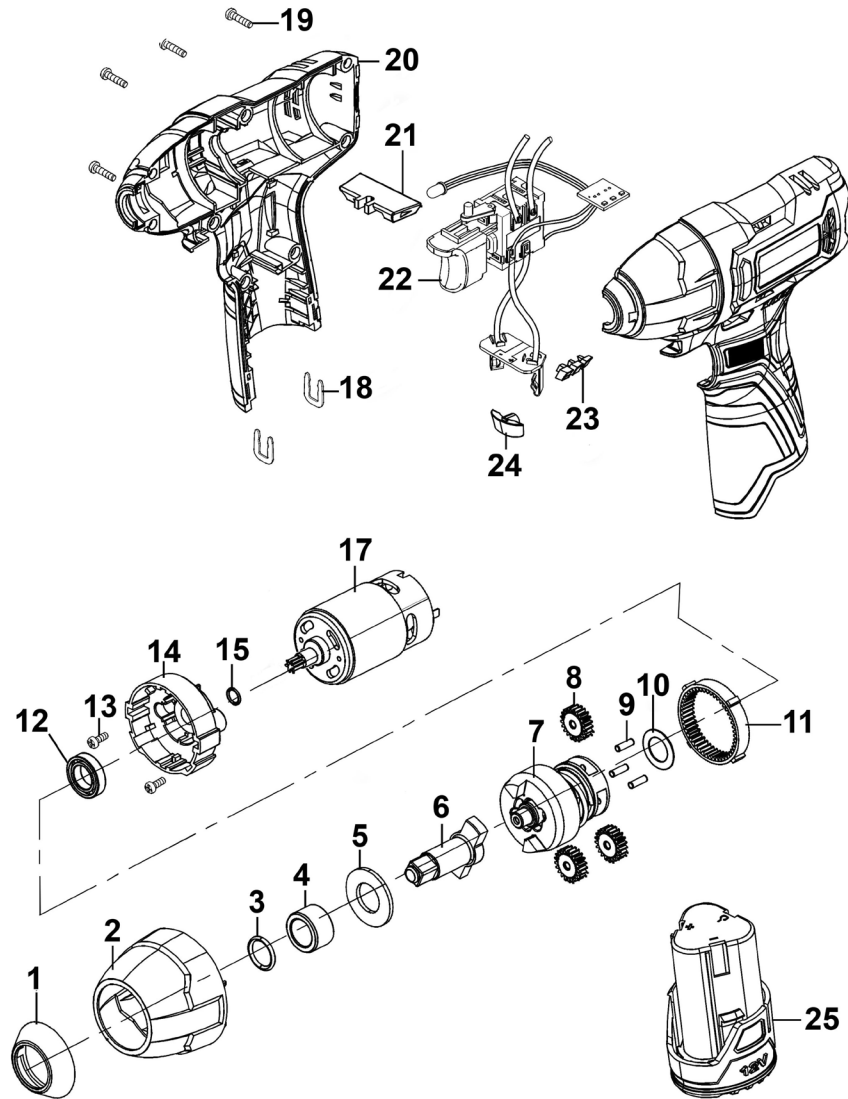




Parts Information:  
**Cordless Impact Wrench 3/8" Sq Drive**  
**10.8V 2Ah SV10.8 Series**  
**Model No: CP108VCIW**



Item	Part No.	Description
1	CP108VCIW.01	Front Cover Cap
2	CP108VCIW.02	Front Head Cover
3	CP108VCIW.03	O-Ring
4	CP108VCIW.04	Shaft Sleeve
5	CP108VCIW.05	Washer
6	CP108VCIW.06	Front Impact Shaft
7	CP108VCIW.07	Rear Impact Assembly
8	CP108VCIW.08	Gear
9	CP108VCIW.09	Gear Pin
10	CP108VCIW.10	Washer
11	CP108VCIW.11	Gear Ring
12	CP108VCIW.12	Bearing 6801
13	CP108VCIW.13	Screw M3 x 8mm

Item	Part No.	Description
14	CP108VCIW.14	Gearbox
15	CP108VCIW.15	O-Ring
17	CP108VCIW.17	Motor (c/w Pinion)
18	CP108VCIW.18	Buckle
19	CP108VCIW.19	Casing Screw ST2.9 x 16mm
20	CP108VCIW.20	Complete Housing
21	CP108VCIW.21	Forward/Reverse Lever
22	CP108VCIW.22	Switch
23	CP108VCIW.23	Battery Indicator Cover
24	CP108VCIW.24	LED Cover
25	CP108VBP	Power Tool Battery Li-Ion 10.8V 2Ah
--	CP108VMC	Main Charger (Not Shown)

**NOTE:** It is our policy to continually improve products and as such we reserve the right to alter data, specifications and component parts without prior notice. There may be alternative versions of this product, please contact us should you require this information.

**IMPORTANT:** No liability is accepted for incorrect use of product. Spare parts must be fitted by a competent person

**WARRANTY:** Guarantee is 12 months from purchase date, proof of which will be required for any claim.

Sealey Group, Kempson Way, Suffolk Business Park, Bury St Edmunds, Suffolk. IP32 7AR



01284 757500



sales@sealey.co.uk



www.sealey.co.uk