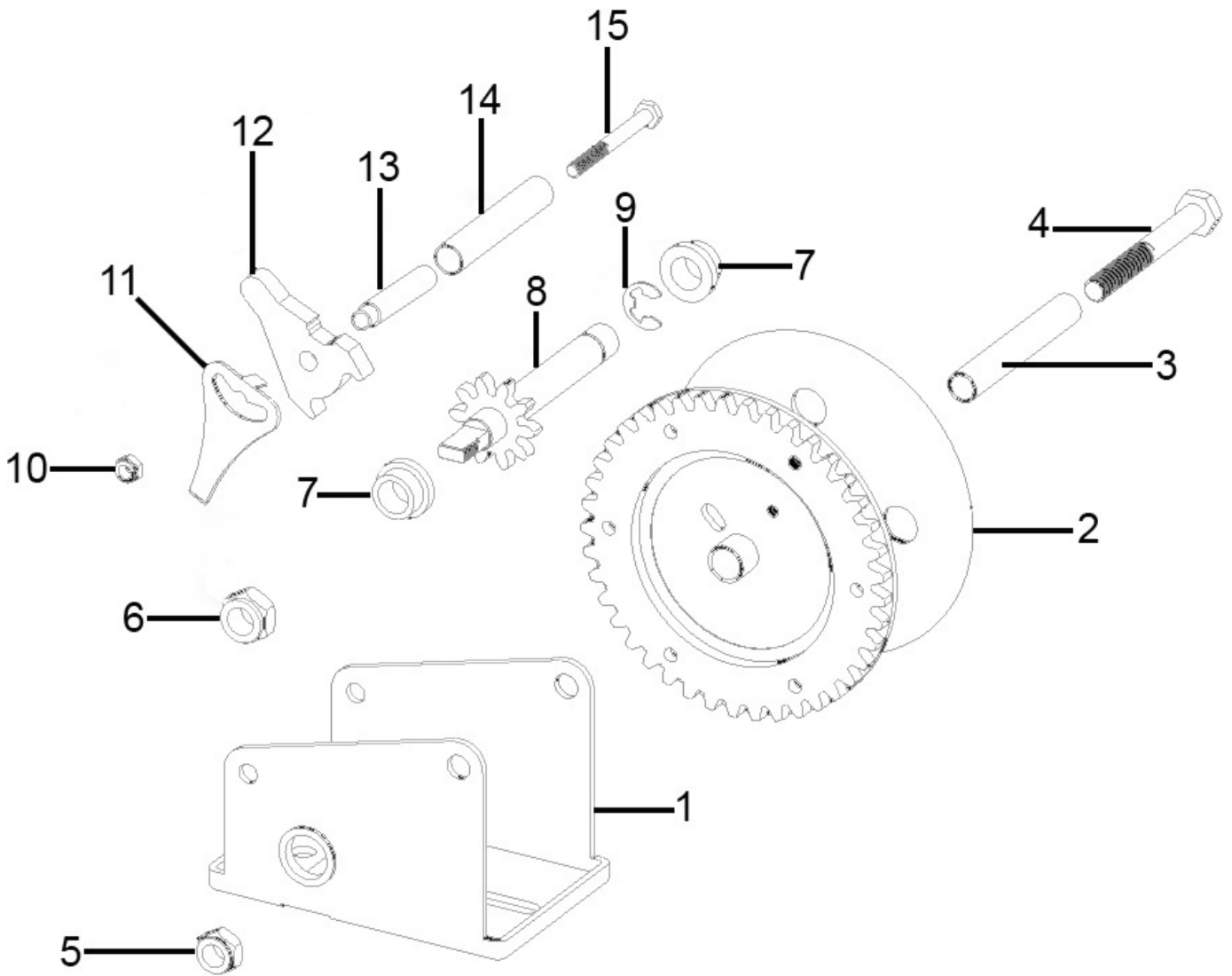




Parts Information:
Geared Hand Winch 540kg Capacity with Cable
Model No: GWC1200M



Item	Part No.	Description
1	GWC1200M.01	Bottom Case
2	GWC1200M.02	Gear Wheel
3	GWC1200M.03	Spacer For Gear Wheel
4	HHB10100.S	Hex Head Bolt M10 x 100mm
5	GWC1200M.05	Nut
6	GWC1200M.06	Nut
7	GWC1200M.07	Axle Sleeve
8	GWC1200M.08	Axle
9	GWC1200M.09	E-Clip 9.7mm ID.

Item	Part No.	Description
10	NLN6.S	Nyloc Nut M6 Zinc
11	GWC1200M.11	Winch Handle
12	GWC1200M.12	Thrust Handle
13	GWC1200M.13	Thrust Shaft
14	GWC1200M.14	Thrust Sleeve
15	HHB695.S	Hex Head Bolt M6 x 95mm
--	GWC2000M.C	Cable 5.1mm x 10mtr (Not Shown)
--	GWC1200M.16	Winding Handle (Not Shown)
--	GWC1200M.17	Spring (Not Shown)

NOTE: It is our policy to continually improve products and as such we reserve the right to alter data, specifications and component parts without prior notice. There may be alternative versions of this product, please contact us should you require this information.

IMPORTANT: No liability is accepted for incorrect use of product. Spare parts must be fitted by a competent person

WARRANTY: Guarantee is 12 months from purchase date, proof of which will be required for any claim.

Sealey Group, Kempson Way, Suffolk Business Park, Bury St Edmunds, Suffolk. IP32 7AR



01284 757500



sales@sealey.co.uk



www.sealey.co.uk