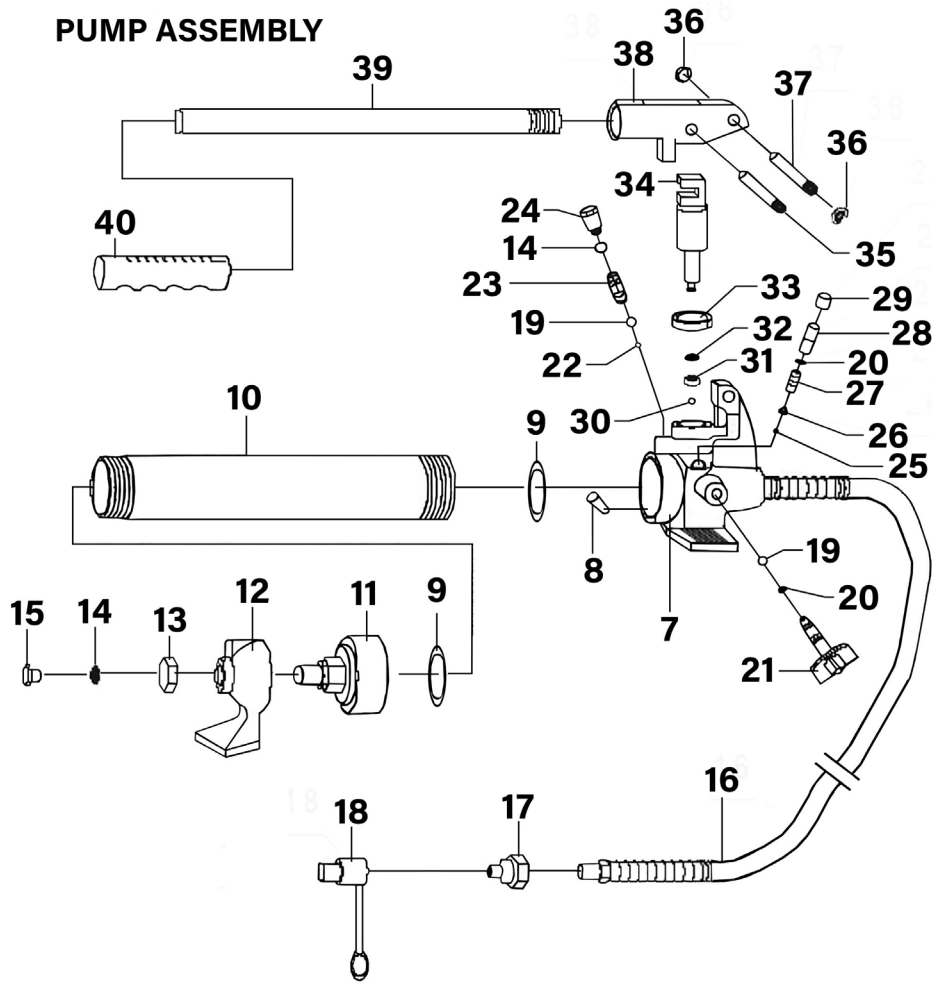


PUMP ASSEMBLY



Item	Part No.	Description
7	RE9720.20-P01	Pump Housing
8	RE9720.20-P02	Oil Filter
9	RE9720.20-P03	Nylon Ring
10	RE9720.20-P04	Reservoir
11	RE9720.20-P05	Reservoir End Cap
12	RE9720.20-P06	Pump Foot
13	RE9720.20-P07	Hex Nut
14	RE9720.20-P08	Seal Ring
15	RE9720.20-P09	Dip Stick
16	RE9720.20-P10	Hydraulic Hose
17	RE9720.20-P11	Coupling (Big)
18	RE9720.20-P12	Dust Cap
19	SB-6.4	Steel Ball 6.4mm
20	RE9720.20-P14	Seal Ring
21	RE9720.20-P15	Release Valve
22	SB-6.4	Steel Ball 6.4mm
23	RE9720.20-P17	Spring Dia 7.3mm

Item	Part No.	Description
24	RE9720.20-P18	Screw (High Pressure)
25	SB-4.0	Steel Ball 4.0mm
26	RE9720.20-P20	Spring Base
27	RE9720.20-P21	Spring Dia 7.4mm
28	RE9720.20-P22	Screw (Safety Valve)
29	RE9720.20-P23	Cover
30	SB-6.0	Steel Ball 6.0mm
31	RE9720.20-P25	Seal 12*5.4*5.4
32	RE9720.20-P26	Nylon Ring
33	RE9720.20-P27	Seal
34	RE9720.20-P28	Piston
35	RE9720.20-P29	Piston pin
36	ER1700PD.37	External Circlip 9.2mm ID.
37	RE9720.20-P31	Bracket Pin
38	RE9720.20-P32	Handle Bracket
39	RE9720.20-P33	Pump Handle
40	RE9720.20-P34	Handle Grip

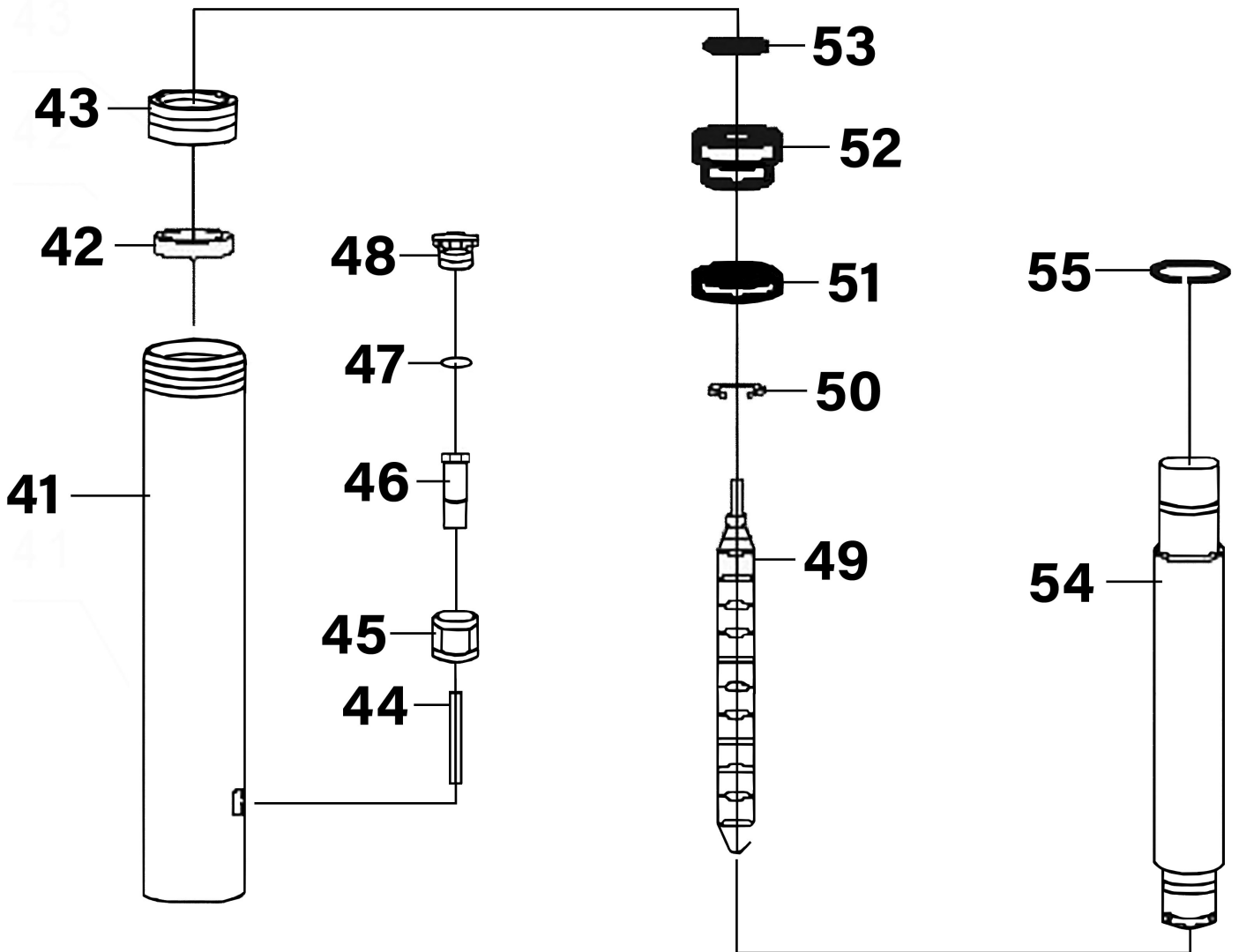
NOTE: It is our policy to continually improve products and as such we reserve the right to alter data, specifications and component parts without prior notice. There may be alternative versions of this product, please contact us should you require this information.

IMPORTANT: No liability is accepted for incorrect use of product. Spare parts must be fitted by a competent person

WARRANTY: Guarantee is 12 months from purchase date, proof of which will be required for any claim.



Parts Information:
**Hydraulic Body Repair Kit 20 Tonne Snap
 Type**
Model No: RE9720



Item	Part No.	Description
41	RE9720.20-R01	Cylinder
42	RE9720.20-R02	Protecting Cap
43	RE9720.20-R03	Retainer Nut
44	RE9720.20-R04	Spring Pin M8.4 x 50
45	RE9720.20-R05	Female Connector
46	RE9720.20-R06	Coupling (Small)
47	GSA08.09-4	O-Ring, (Ex: 11.21 In: 7.65 Cs: 1.78)
48	RE9720.20-R08	Cover

Item	Part No.	Description
49	RE9720.20-R09	Return Spring
50	RE9720.20-R10	Retaining Ring
51	RE9720.20-R11	Seal 60*45*10
52	RE9720.20-R12	Piston Ring
53	RE9720.20-R13	O-Ring
54	RE9720.20-R14	Piston Rod
55	RE9720.20-R15	Retaining Ring

NOTE: It is our policy to continually improve products and as such we reserve the right to alter data, specifications and component parts without prior notice. There may be alternative versions of this product, please contact us should you require this information.

IMPORTANT: No liability is accepted for incorrect use of product. Spare parts must be fitted by a competent person

WARRANTY: Guarantee is 12 months from purchase date, proof of which will be required for any claim.

Sealey Group, Kempson Way, Suffolk Business Park, Bury St Edmunds, Suffolk. IP32 7AR



01284 757500



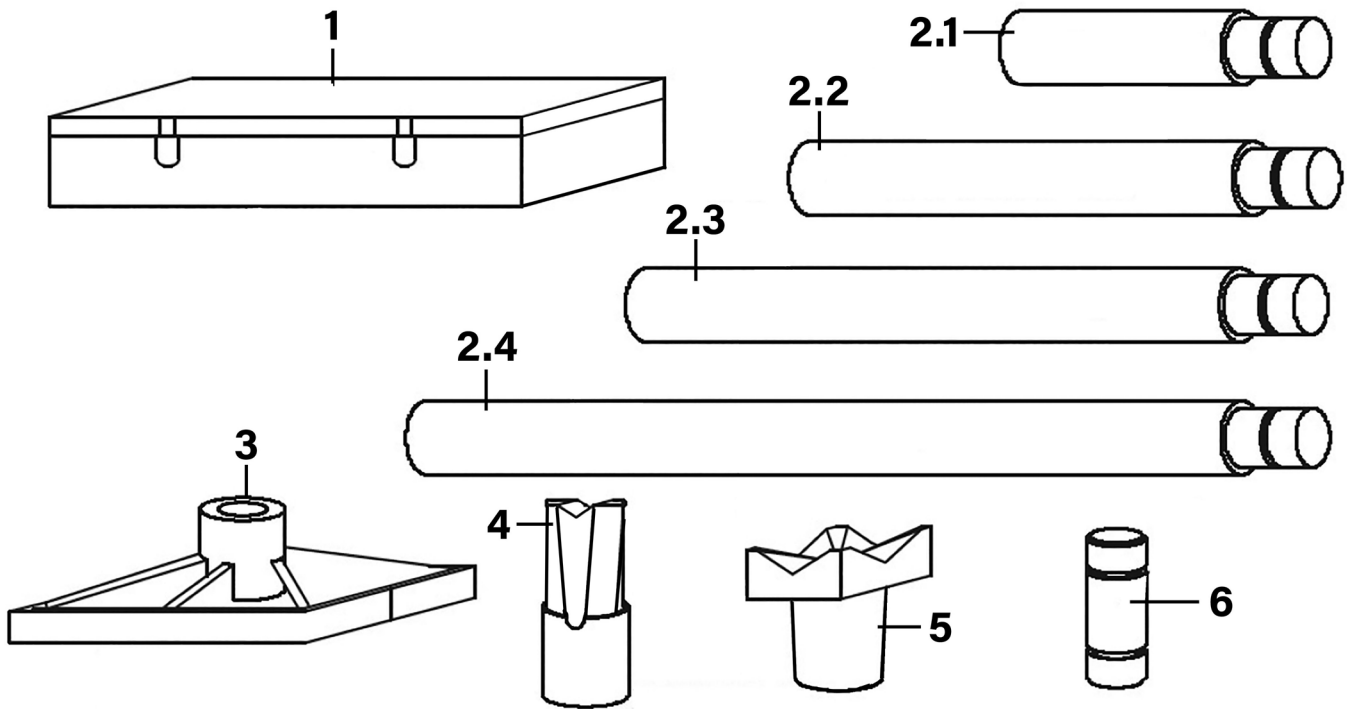
sales@sealey.co.uk



www.sealey.co.uk

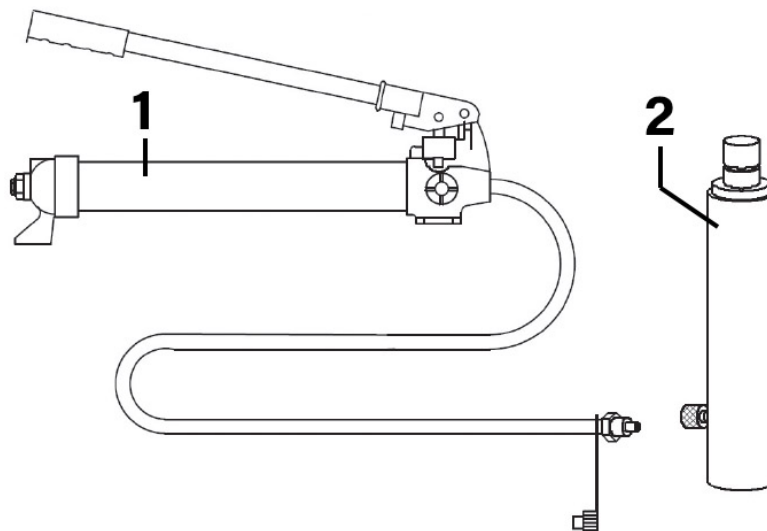


Parts Information:
Hydraulic Body Repair Kit 20 Tonne Snap Type
Model No: RE9720



Item	Part No.	Description
1	RE9720.20-03	Metal Box
2.1	RE9720.20-02A	Supersnap Tubing 195mm
2.2	RE9720.20-02B	Supersnap Tubing 355mm
2.3	RE9720.20-02C	Supersnap Tubing 495mm
2.4	RE9720.20-02D	Supersnap Tubing 645mm
3	RE9720.20-05	Flat Base

Item	Part No.	Description
4	RE9720.20-06	Saddle, Red Serrated, Square Head (F) Ø 66mm (Shaft Ø 58mm)
5	RE9720.20-07	Wedge Head
6	RE9720.20-08	Male Connector
--	RE9720-20-03W	Castor Wheel for Metal Box (Not Shown)



Item	Part No.	Description
1	RE9720.20-01	Pump Ass'y

Item	Part No.	Description
2	RE9720.20-02	Ram Assembly

NOTE: It is our policy to continually improve products and as such we reserve the right to alter data, specifications and component parts without prior notice. There may be alternative versions of this product, please contact us should you require this information.

IMPORTANT: No liability is accepted for incorrect use of product. Spare parts must be fitted by a competent person

WARRANTY: Guarantee is 12 months from purchase date, proof of which will be required for any claim.

Sealey Group, Kempson Way, Suffolk Business Park, Bury St Edmunds, Suffolk. IP32 7AR



01284 757500



sales@sealey.co.uk



www.sealey.co.uk