



SEALEY DIESEL INJECTOR PULLER - FORD ECOBLUE 2.0L

MODEL NO: **VS2078**

Thank you for purchasing a Sealey product. Manufactured to a high standard, this product will, if used according to these instructions, and properly maintained, give you years of trouble free performance.

IMPORTANT: PLEASE READ THESE INSTRUCTIONS CAREFULLY. NOTE THE SAFE OPERATIONAL REQUIREMENTS, WARNINGS & CAUTIONS. USE THE PRODUCT CORRECTLY AND WITH CARE FOR THE PURPOSE FOR WHICH IT IS INTENDED. FAILURE TO DO SO MAY CAUSE DAMAGE AND/OR PERSONAL INJURY AND WILL INVALIDATE THE WARRANTY. KEEP THESE INSTRUCTIONS SAFE FOR FUTURE USE.



Refer to instructions



Wear eye protection



Wear protective gloves

1. SAFETY

- ❑ **WARNING!** Ensure Health and Safety, local authority and general workshop practice regulations are adhered to when using tools.
- ❑ **WARNING!** Always use caution when working around fuel systems. The fuel in the fuel rail may be pressurised even if the engine is not running. These instructions are provided as a guide only. Always refer to the vehicle manufacturer's service instructions, or a proprietary manual, to establish the current procedure and data, also any warnings or cautions particular to the vehicle.
- ✗ **DO NOT** use the set if any parts are missing or damaged.
- ✗ **DO NOT** use this tool for any purpose other than that for which it is designed.
- ✓ Switch off vehicle's ignition and disconnect the battery before commencing work under the bonnet.
- ✓ You must follow the vehicle's service manual cautions when working around the air bag system. If the cautions are not followed the air bag may deploy unexpectedly even after the ignition is turned 'OFF', resulting in personal injury.
- ✗ **DO NOT** lay tools on the vehicle's battery. This may short the terminals together, causing harm to yourself, the tools, or the battery.
- ✓ Operate in a well ventilated area. **DO NOT** inhale fuel vapours.
- ✓ Wear approved eye protection.
- ✓ Wear suitable clothing to avoid snagging. **DO NOT** wear jewellery and tie back long hair.
- ✓ Keep children and other unauthorised persons away from the working area.
- ✓ Keep yourself, tools, and test equipment away from hot engine parts.
- ✓ Always keep a fire extinguisher that is suitable for fuel/electrical/chemical fires close by.
- ✗ **DO NOT** smoke or have open flames near vehicle.
- ✓ Always relieve fuel pressure before disconnecting fuel lines from injectors.
- ✓ Use a cloth to cover fuel line fittings when connecting or disconnecting fuel lines. Avoid contact with fuel.
- ✓ Clean up all fuel spills immediately and dispose of all used cloths properly.
- ✓ Maintain the tool components in good and clean condition for best and safest performance.
- ✓ When work on the vehicle is finished, ensure all connections on vehicle are restored, and that there are no tools left in the engine bay.
- ✓ Replace tools in the carrying case and store in a safe, dry, childproof location.

DO NOT USE AIR TOOLS TO OPERATE FORCE SCREW



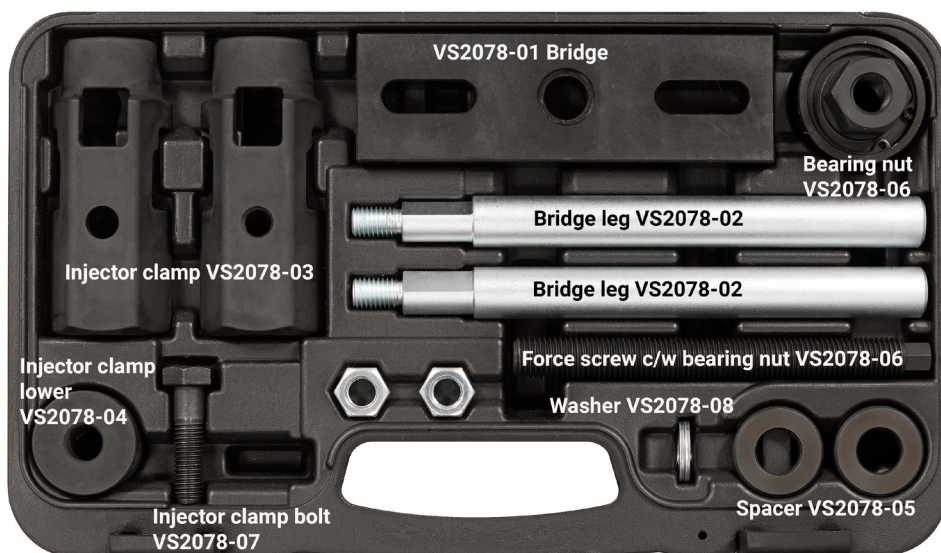
ALWAYS KEEP FORCE SCREW WELL LUBRICATED. MOLYBDENUM COPPER BASED RECOMMENDED.



2. INTRODUCTION

Suitable for Ford EcoBlue 2.0L engines. Easily extracts Ford EcoBlue diesel injectors in one piece so they can be refitted. The set includes a force screw, shoulder nut (with bearing), injector clamp, clamp bolt, support bridge and bridge legs with nuts (x2). Equivalent to OEM 303-1706.

3. CONTENTS

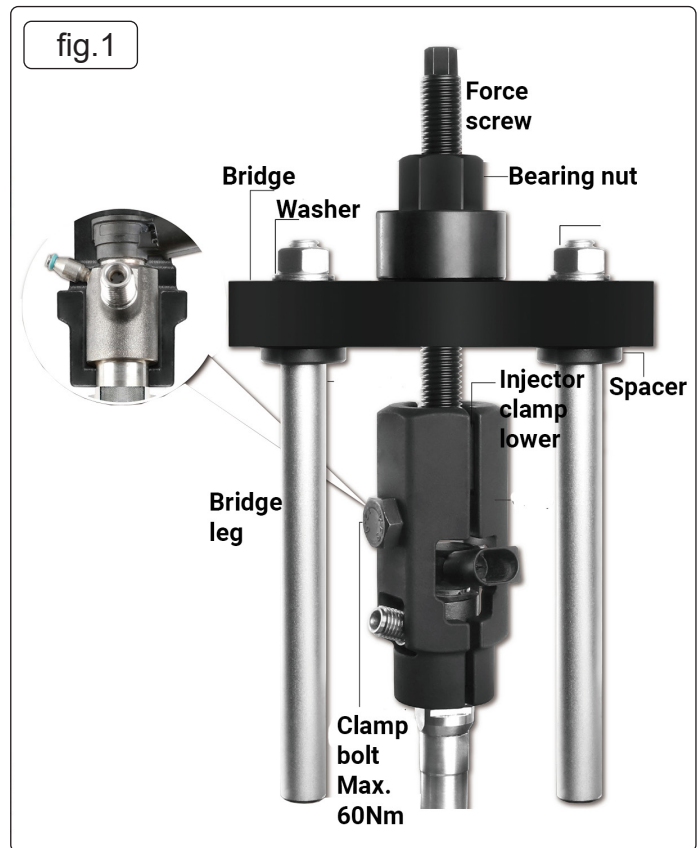


4. APPLICATIONS

2.0L EcoBlue Bi-Turbo Diesel : (04/2011-) : Ranger
2.0L EcoBlue Bi-Turbo Diesel : (01/2015-) : Galaxy
2.0L EcoBlue Bi-Turbo Diesel : (01/2015-) : S-MAX
2.0L EcoBlue Bi-Turbo Diesel : (08/2015-) : Edge
2.0L EcoBlue Bi-Turbo Diesel : (02/2023-) : Ranger
2.0L EcoBlue Diesel : AWD, RWD : (08/2013-) : Transit
2.0L EcoBlue Diesel : AWD, RWD : (10/2018-) : Transit
2.0L EcoBlue Diesel : FWD : (08/2013-) : Transit
2.0L EcoBlue Diesel : FWD : (10/2018-) : Transit
2.0L EcoBlue Diesel : (04/2011-) : Ranger
2.0L EcoBlue Diesel : (04/2012-) : Transit Custom
2.0L EcoBlue Diesel : (08/2013-) : Transit
2.0L EcoBlue Diesel : (10/2014-) : Mondeo
2.0L EcoBlue Diesel : (01/2015-) : Galaxy
2.0L EcoBlue Diesel : (01/2015-) : S-MAX
2.0L EcoBlue Diesel : (08/2015-) : Edge
2.0L EcoBlue Diesel : (01/2018-) : Focus
2.0L EcoBlue Diesel : (10/2018-) : Transit
2.0L EcoBlue Diesel : (07/2019-) : Kuga
2.0L EcoBlue Diesel : (02/2023-) : Ranger
2.0L EcoBlue Diesel/2.0L EcoBlue Bi-Turbo Diesel : (02/2023-) : Ranger

5. OPERATION

- Assemble tool as per fig.1, lubricate force screw.
Note: Injector clamp bolt max. torque is 60Nm.
- Place 27mm pass through socket fitted to torque wrench, onto bearing nut.
- Hold force screw with 11mm spanner.
- Wind bearing nut to extract injector.
Note: Maximum torque applied to bearing nut is 250Nm.
- Ensure injector bore is clean and free of debris before refitting.



ENVIRONMENT PROTECTION

Recycle unwanted materials instead of disposing of them as waste. All tools, accessories and packaging should be sorted, taken to a recycling centre and disposed of in a manner which is compatible with the environment. When the product becomes completely unserviceable and requires disposal, drain any fluids (if applicable) into approved containers and dispose of the product and fluids according to local regulations.



REGISTER YOUR PURCHASE HERE

Note: It is our policy to continually improve products and as such we reserve the right to alter data, specifications and component parts without prior notice.

Important: No Liability is accepted for incorrect use of this product.

Warranty: Guarantee is 12 months from purchase date, proof of which is required for any claim.

Sealey Group, Kempson Way, Suffolk Business Park, Bury St Edmunds, Suffolk. IP32 7AR



01284 757500



01284 703534



sales@sealey.co.uk



www.sealey.co.uk