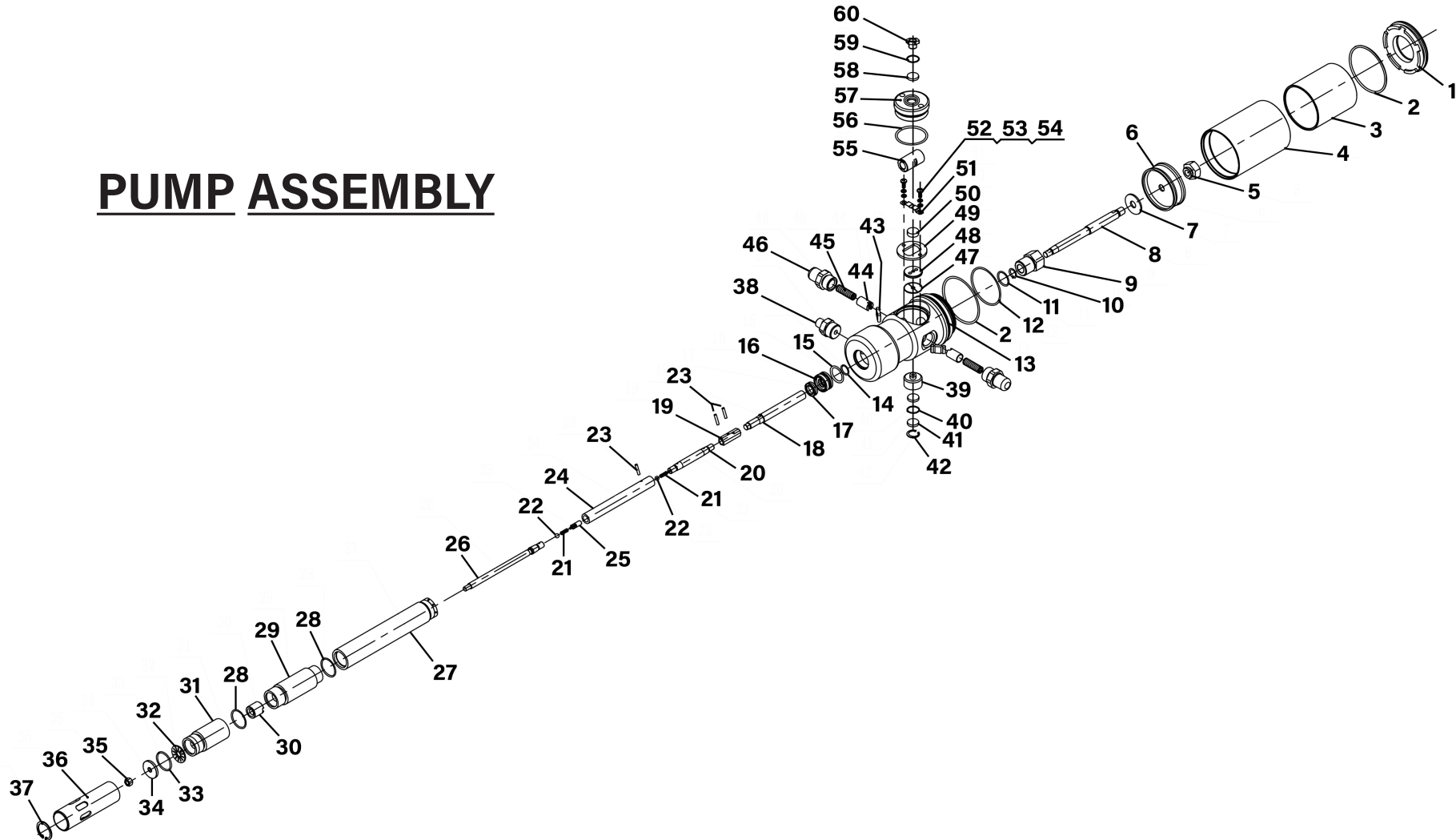




Parts Information:
Grease Pump Air Operated 50kg
Model No: AK453X.V3

PUMP ASSEMBLY



NOTE: It is our policy to continually improve products and as such we reserve the right to alter data, specifications and component parts without prior notice.

There may be alternative versions of this product, please contact us should you require this information.

IMPORTANT: No liability is accepted for incorrect use of product. Spare parts must be fitted by a competent person

WARRANTY: Guarantee is 12 months from purchase date, proof of which will be required for any claim.

Sealey Group, Kempson Way, Suffolk Business Park, Bury St Edmunds, Suffolk. IP32 7AR



01284 757500



sales@sealey.co.uk



www.sealey.co.uk



Parts Information:
Grease Pump Air Operated 50kg
Model No: AK453X.V3

| Item | Part No. | Description | Qty |
|------|---------------|--|-----|
| 1 | AK453X.V3-P06 | Air Motor Cover | 1 |
| 2 | AK453X.V3-P02 | O-ring, (Ex: 73.19 In: 67.95 Cs: 2.62) | 2 |
| 3 | AK453X.V3-P05 | Air Motor Shell Inside | 1 |
| 4 | AK453X.V3-P04 | Air Motor Shell Outside | 1 |
| 5 | AK453X.V3-P07 | Nut | 1 |
| 6 | AK453X.V3-P08 | Rubber Piston Block | 1 |
| 7 | AK453X.V3-P09 | Gasket | 1 |
| 8 | AK453X.V3-P10 | Piston Shaft | 1 |
| 9 | AK453X.V3-P11 | Piston Rod Guide Sleeve | 1 |
| 10 | SA695.13 | O-ring, (Ex: 16.01 In: 10.77 Cs: 2.62) | 1 |
| 11 | SA686.36 | O-ring, (Ex: 22.33 In: 18.77 Cs: 1.78) | 1 |
| 12 | AK453X.V3-P03 | O-ring, (Ex: 66.84 In: 61.60 Cs: 2.62) | 1 |
| 13 | AK453X.V3-P01 | Cylinder Block | 1 |
| 14 | AK453X.V3-P19 | O-ring, (Ex: 15.63 In: 11.77 Cs: 1.93) | 1 |
| 15 | MT700.V2-R10 | O-ring, (Ex: 25.53 In: 20.29 Cs: 2.62) | 1 |
| 16 | AK453X.V3-P17 | Sealing Socket | 1 |
| 17 | AK453X.V3-P16 | Oil Seal Green 12mm ID | 1 |
| 18 | AK453X.V3-P15 | Centre Shaft | 1 |
| 19 | AK453X.V3-P21 | Connect Shell | 1 |
| 20 | AK453X.V3-P23 | Connect Shaft 'New Type' (10X428) | 1 |
| 21 | AK453X.V3-P25 | Compression Spring Dia 4mm | 2 |
| 22 | SB-6.0 | Steel Ball 6.0mm | 2 |
| 23 | SA2/05 | Spring Pin M3 X 14 | 3 |
| 24 | AK453X.V3-P27 | Piston | 1 |
| 25 | AK453X.V3-P28 | Spring Seat | 1 |
| 26 | AK453X.V3-P29 | Shaft | 1 |
| 27 | AK453X.V3-P24 | Outer Sleeve | 1 |
| 28 | SA0615KIT.08 | O-ring, (Ex: 23.91 In: 20.35 Cs: 1.78) | 2 |
| 29 | AK453X.V3-P30 | Plug Sleeve | 1 |
| 30 | AK453X.V3-P31 | Valve Set | 1 |
| 31 | AK453X.V3-P32 | Valve Seat | 1 |

| Item | Part No. | Description | Qty |
|------|----------------|---|-----|
| 32 | AK453X.V3-P33 | Filter Plate | 1 |
| 33 | AK453X.V3-P38 | O-ring, (Ex: 27.08 In: 23.52 Cs: 1.78) | 1 |
| 34 | AK453X.V3-P35 | Extract Plate | 1 |
| 35 | NLN6.S | Nyloc Nut M6 Zinc | 1 |
| 36 | AK453X.V3-P37 | Tube | 1 |
| 37 | AK453X.V3-P34 | Internal Circlip 32.0mm OD. | 1 |
| 38 | AK453X.V3-P44 | Joint | 1 |
| 39 | AK453X.V3-P39N | Muffler Seat | 1 |
| 40 | AK453X.V3-P40N | O-Ring 27.3 x 2.65mm | 1 |
| 41 | AK453X.V3-P41N | Silencer | 1 |
| 42 | AK453X.V3-P42N | Internal Circlip 32mm | 1 |
| 43 | AK453X.V3-P40 | Toggle Block | 2 |
| 44 | AK453X.V3-P43 | Inner Spring Fixed Seat | 2 |
| 45 | AK453X.V3-P42 | Compression Spring Dia 9.8mm | 2 |
| 46 | AK453X.V3-P41 | Outer Spring Fixed Seat | 2 |
| 47 | AK453X.V3-P52 | Gasket | 1 |
| 48 | AK453X.V3-P51 | Gasket | 1 |
| 49 | AK453X.V3-P50 | Limit Plate | 1 |
| 50 | AK453X.V3-P47 | Silencer | 1 |
| 51 | AK453X.V3-P56 | Plate | 1 |
| 52 | MSP410.S | Machine Screw Pan Head Phillips M4 X 10mm | 2 |
| 53 | SWM4.S | Spring Washer M4 Zinc | 2 |
| 54 | FWM4.S | Flat Washer M4 | 2 |
| 55 | AK453X.V3-P14 | Sliding Sleeve | 1 |
| 56 | AK453X.V3-P49 | O-Ring, (Ex: 46.18 In: 40.94 Cs: 2.62) | 1 |
| 57 | AK453X.V3-P57N | Seal Cover | 1 |
| 58 | AK453X.V3-P58N | Silencing Plug | 1 |
| 59 | AK453X.V3-P59N | O-Ring 18.5 x 3mm | 1 |
| 60 | AK453X.V3-P60N | Air Inlet Connection Joint | 1 |

NOTE: It is our policy to continually improve products and as such we reserve the right to alter data, specifications and component parts without prior notice. There may be alternative versions of this product, please contact us should you require this information.

IMPORTANT: No liability is accepted for incorrect use of product. Spare parts must be fitted by a competent person

WARRANTY: Guarantee is 12 months from purchase date, proof of which will be required for any claim.

Sealey Group, Kempson Way, Suffolk Business Park, Bury St Edmunds, Suffolk. IP32 7AR



01284 757500

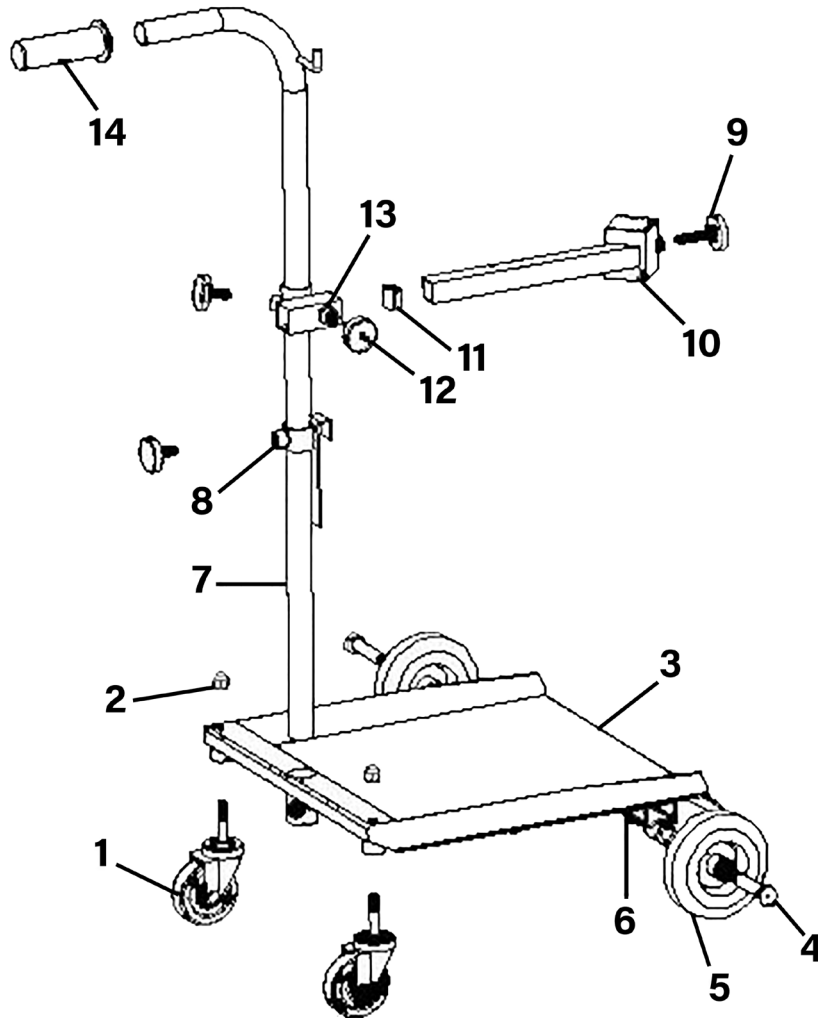


sales@sealey.co.uk



www.sealey.co.uk

TROLLEY ASSEMBLY



| Item | Part No. | Description |
|------|---------------|--|
| 1 | AK453X.V3-T01 | Wheel,Swivel Castor, Single Bolt (D:75 W:25 B:8 H:149) |
| 2 | SN10.SD | Steel Nut M10 Domed |
| 3 | AK453X.V3-T03 | Trolley Base |
| 4 | HHB1490.S | Hex Head Bolt M14 x 90mm |
| 5 | AK453X.V3-T05 | Wheel,Fixed (D:125 W:36 B:14) |
| 6 | SN14.S | Steel Nut M14 |
| 7 | AK453X.V3-T07 | Handle |
| 8 | AK453X.V3-T08 | Fixing Nut |
| 9 | AK453X.V3-T09 | Knob, OD: 40mm, M10x45mm Threaded Male Fitting |
| 10 | AK453X.V3-T10 | Holder, Grease Gun |
| 11 | AK453X.V3-T11 | End Plug |

| Item | Part No. | Description |
|------|---------------------|--|
| 12 | AK453X.V3-T12 | Knob, OD: 39mm, M10x24mm Threaded Male Fitting |
| 13 | AK453X.V3-T13 | Pump Support |
| 14 | AK453X.V3-T14 | Handle Grip |
| -- | AK453X.V3-01 | Grease Pump ***See Diagram*** |
| -- | AK453X.V3-03 | Drum Cover 385mm (Not Shown) |
| -- | AK453X.V3-04 | Follower Plate 370mm (Not Shown) |
| -- | AK453X.V3-05 | High Pressure Grease Hose 4m (Not Shown) |
| -- | AK453X.V3-06 | Grease Control Gun (Not Shown) |
| -- | AK453X.V3-07 | Filter/Regulator/Lubricator Assembly (Not Shown) |
| -- | AK453X.V3-08 | Z-Swivel Connector (Not Shown) |
| -- | AK453X.V3-T | Trolley Assembly (Not Shown) |

NOTE: It is our policy to continually improve products and as such we reserve the right to alter data, specifications and component parts without prior notice. There may be alternative versions of this product, please contact us should you require this information.

IMPORTANT: No liability is accepted for incorrect use of product. Spare parts must be fitted by a competent person

WARRANTY: Guarantee is 12 months from purchase date, proof of which will be required for any claim.