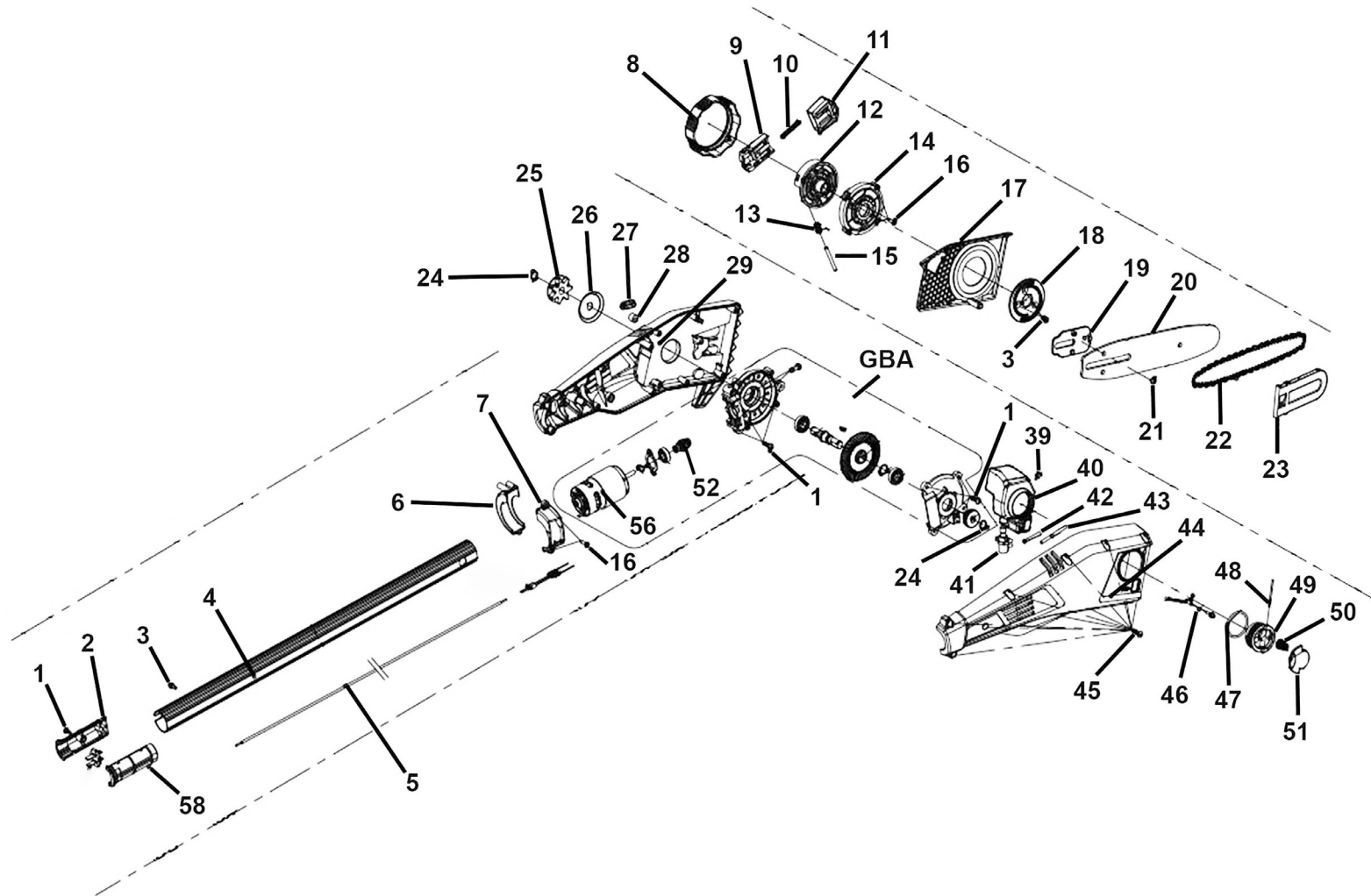




Parts Information:  
Cordless Chainsaw Head 20V SV20 Series 20cm Accessory  
Model No: CP20VPSH



**NOTE:** It is our policy to continually improve products and as such we reserve the right to alter data, specifications and component parts without prior notice.

There may be alternative versions of this product, please contact us should you require this information.

**IMPORTANT:** No liability is accepted for incorrect use of product. Spare parts must be fitted by a competent person

**WARRANTY:** Guarantee is 12 months from purchase date, proof of which will be required for any claim.

Sealey Group, Kempson Way, Suffolk Business Park, Bury St Edmunds, Suffolk, IP32 7AR



01284 757500



sales@sealey.co.uk



www.sealey.co.uk



Parts Information:  
**Cordless Chainsaw Head 20V SV20 Series**  
**20cm Accessory**  
**Model No: CP20VPSH**

Item	Part No.	Description
1	CP20VPSH-01	Screw for Aluminium Bottom Cover
2+58	CP20VPSH-02+58	Aluminum Bottom Cover
3	CP20VPSH-03	Screw for Casing
4	CP20VPSH-04	Casing
5	CP20VPSH-05	Protection Sleeve (c/w Parts 57 & 59)
6+7	CP20VPSH-06+07	Air Flow Cover (c/w Base)
8	CP20VCHS-09	Tension Ring
9	CP20VPSH-09	Support Block
10	CP20VPSH-10	Tensioning Spring
11	CP20VPSH-11	Tension Block
12	CP20VCHS-09	Tension Ring
13	CP20VPSH-13	Torsion Spring
14	CP20VCHS-10	Tension Cover
15	CP20VPSH-15	Tension Knob Pin
16	CP20VPSH-16	Tapping Screw
17	CP20VPSH-17	Front Cover
18	CP20VPSH-18	Tension Wheel
19	CP20VPSH-19	Tension Wheel Support
20	CP20VPSH-20	Guide Plate
21	CP20VPSH-21	Screw for Guide Plate
22	CP20VPSH-22	Chain
23	CP20VPSH-23	Protection Sleeve

Item	Part No.	Description
24	CP20VPSH-24	Shaft Circlip
25	CP20VPSH-25	Gear Wheel
26	CP20VCHS-19	Spacer
27	CP20VPSH-27	Outlet Seal
28	CP20VPSH-28	Magnet
29+44	CP20VPSH-29+44	Housing Complete
39	CP20VPSH-39	Valve
40	CP20VPSH-40	Oil Pot
41	CP20VPSH-41	Oil Pump
42	CP20VPSH-42	Outlet Pipe
43	CP20VPSH-43	Inlet Pipe
45	CP20VPSH-45	Screw for Housing
46	CP20VPSH-46	Lanyard Components
47	CP20VPSH-47	O-Ring
48	CP20VPSH-48	Pin
49	CP20VCHS-25	Oil Pot Cover
50	CP20VPSH-50	Spring
51	CP20VPSH-51	Cover
52	CP20VPSH-52	Motor Gear
56	CP20VPSH-56	Motor
GBA	CP20VPSH-30-38	Gearbox Assembly (c/w Parts 53, 54 & 55)

**NOTE:** It is our policy to continually improve products and as such we reserve the right to alter data, specifications and component parts without prior notice. There may be alternative versions of this product, please contact us should you require this information.

**IMPORTANT:** No liability is accepted for incorrect use of product. Spare parts must be fitted by a competent person

**WARRANTY:** Guarantee is 12 months from purchase date, proof of which will be required for any claim.

Sealey Group, Kempson Way, Suffolk Business Park, Bury St Edmunds, Suffolk. IP32 7AR



01284 757500



sales@sealey.co.uk



www.sealey.co.uk