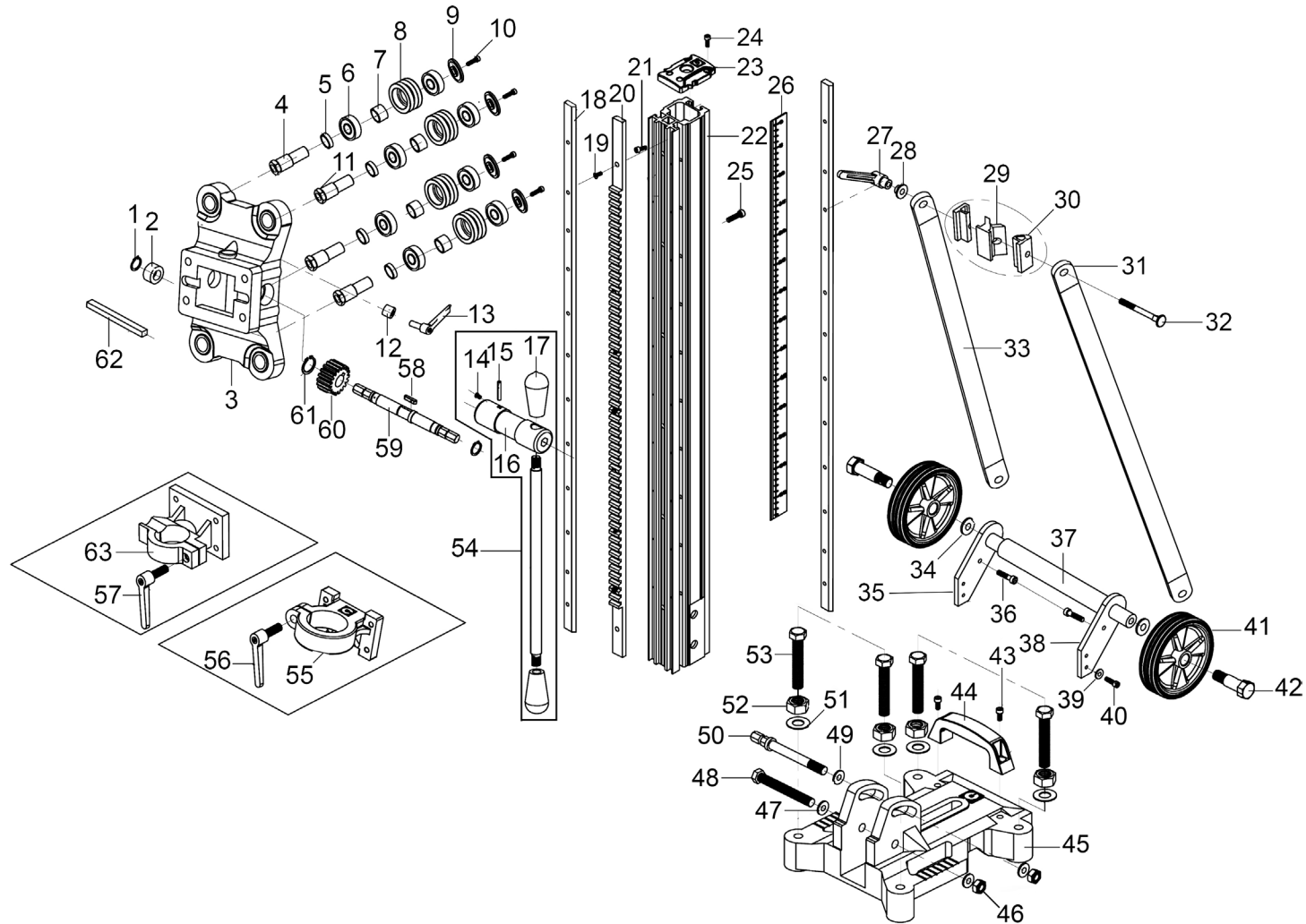




Parts Information:
Diamond Core Drill Stand
Model No: DCDST



NOTE: It is our policy to continually improve products and as such we reserve the right to alter data, specifications and component parts without prior notice.

There may be alternative versions of this product, please contact us should you require this information.

IMPORTANT: No liability is accepted for incorrect use of product. Spare parts must be fitted by a competent person

WARRANTY: Guarantee is 12 months from purchase date, proof of which will be required for any claim.

Sealey Group, Kempson Way, Suffolk Business Park, Bury St Edmunds, Suffolk. IP32 7AR



01284 757500



sales@sealey.co.uk



www.sealey.co.uk



Parts Information:
Diamond Core Drill Stand
Model No: DCDST

Item	Part No.	Description	Qty
1	DCDST.01	External Circlip	2
2	DCDST.02	Bearing	2
3	DCDST.03	Cradle	1
4	DCDST.04	Wheel Shaft	4
5	DCDST.05	Bushing	4
6	DCDST.06	Bearing	8
7	DCDST.07	Bushing	4
8	DCDST.08	Wheel	4
9	DCDST.09	Cover	4
10	DCDST.10	Screw	4
11	DCDST.11	Eccentric Shaft	2
12	DCDST.12	Screw Sleeve	1
13	DCDST.13	Locking Screw	1
14	DCDST.14	Pin	1
15	DCDST.15	Pin	1
16	DCDST.16	Connection	1
17	DCDST.17	Handle Knob	2
18	DCDST.18	Side Rack	1
19	DCDST.19	Screw	2
20	DCDST.20	Rack	1
21	DCDST.21	Screw	4
22	DCDST.22	Centre Support	1
23	DCDST.23	Top Cover	1
24	DCDST.24	Screw	4
25	DCDST.25	Screw	5
26	DCDST.26	Scale Label	1
27	DCDST.27	Locking Wrench	1
28	DCDST.28	Washer	1
29	DCDST.29	Locking Block (A)	1
30	DCDST.30	Locking Block (B)	2
31	DCDST.31	Strut Bar (Right Side)	1
32	DCDST.32	Screw	1

Item	Part No.	Description	Qty
33	DCDST.33	Strut Bar (Left Side)	1
34	DCDST.34	Washer	4
35	DCDST.35	Wheel Shaft Support (Left Side)	2
36	DCDST.36	Screw	2
37	DCDST.37	Wheel Shaft	1
38	DCDST.38	Wheel Shaft Support (Right Side)	2
39	DCDST.39	Washer	4
40	DCDST.40	Screw	4
41	DCDST.41	Wheel (Ø120 x 30 x Ø14)	2
42	DCDST.42	Wheel Bolt	2
43	DCDST.43	Screw	2
44	DCDST.44	Handle	1
45	DCDST.45	Base	1
46	DCDST.46	Nut	2
47	DCDST.47	Washer	2
48	DCDST.48	Screw	1
49	DCDST.49	Washer	2
50	DCDST.50	Screw	1
51	DCDST.51	Washer	4
52	DCDST.52	Nut	4
53	DCDST.53	Screw	4
54	DCDST.54	Handle Bar (c/w Parts 14, 15, 16 & 17)	1
55	DCDST.55	Clamp	1
56	DCDST.56	Locking Handle (A)	1
57	DCDST.57	Locking Handle (B)	1
58	DCDST.58	Woodruff Key	1
59	DCDST.59	Lifting Shaft	1
60	DCDST.60	Gear for Pinion Shaft	1
61	DCDST.61	External Circlip	1
62	DCDST.62	Pin	1
63	DCDST.63	Clamp	1

NOTE: It is our policy to continually improve products and as such we reserve the right to alter data, specifications and component parts without prior notice. There may be alternative versions of this product, please contact us should you require this information.

IMPORTANT: No liability is accepted for incorrect use of product. Spare parts must be fitted by a competent person

WARRANTY: Guarantee is 12 months from purchase date, proof of which will be required for any claim.

Sealey Group, Kempson Way, Suffolk Business Park, Bury St Edmunds, Suffolk. IP32 7AR



01284 757500



sales@sealey.co.uk



www.sealey.co.uk