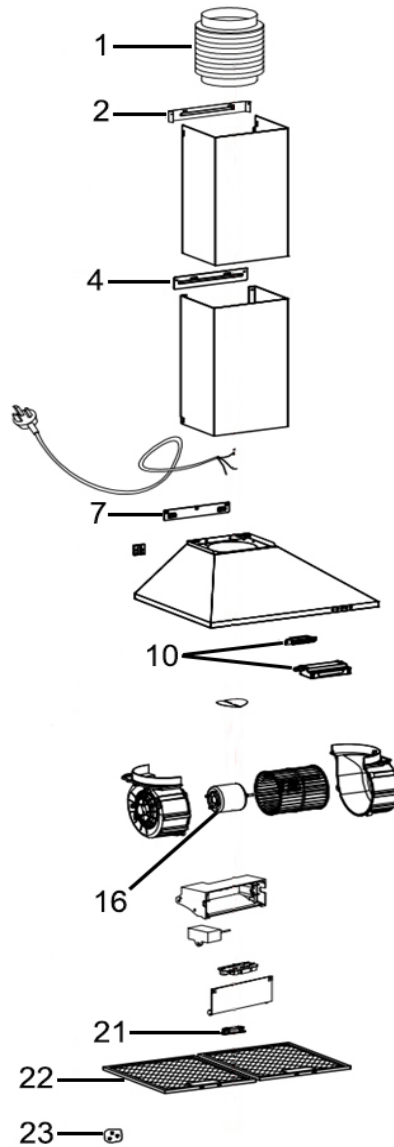


Parts Information: **Baridi 60cm Chimney Style Cooker Hood with Carbon Filters, Stainless Steel**  
**Model No: DH126**



Item	Part No.	Description
1	DH10317	Expansion Pipe
2	DH10571	Inner Chimney Bracket (Part 2)
4	DH10572	Outer Chimney Bracket (Part 4)
7	DH10573	Chimney Bracket (Part 7)
10	DH10318	Switch Assembly (set)

Item	Part No.	Description
16	DH10319	Motor
21	DH10320	LED Light
22	DH10321	Aluminium Filter
23	DH10570	Fixing Screws

**NOTE:** It is our policy to continually improve products and as such we reserve the right to alter data, specifications and component parts without prior notice. There may be alternative versions of this product, please contact us should you require this information.

**IMPORTANT:** No liability is accepted for incorrect use of product. Spare parts must be fitted by a competent person

**WARRANTY:** Guarantee is 12 months from purchase date, proof of which will be required for any claim.

**Dellonda Limited, Sole UK Distributor of Baridi**

Kempson Way, Suffolk Business Park, Bury St Edmunds, Suffolk. IP32 7AR

☎ 01284 757575    ✉ support@dellonda.co.uk    🌐 www.dellonda.co.uk