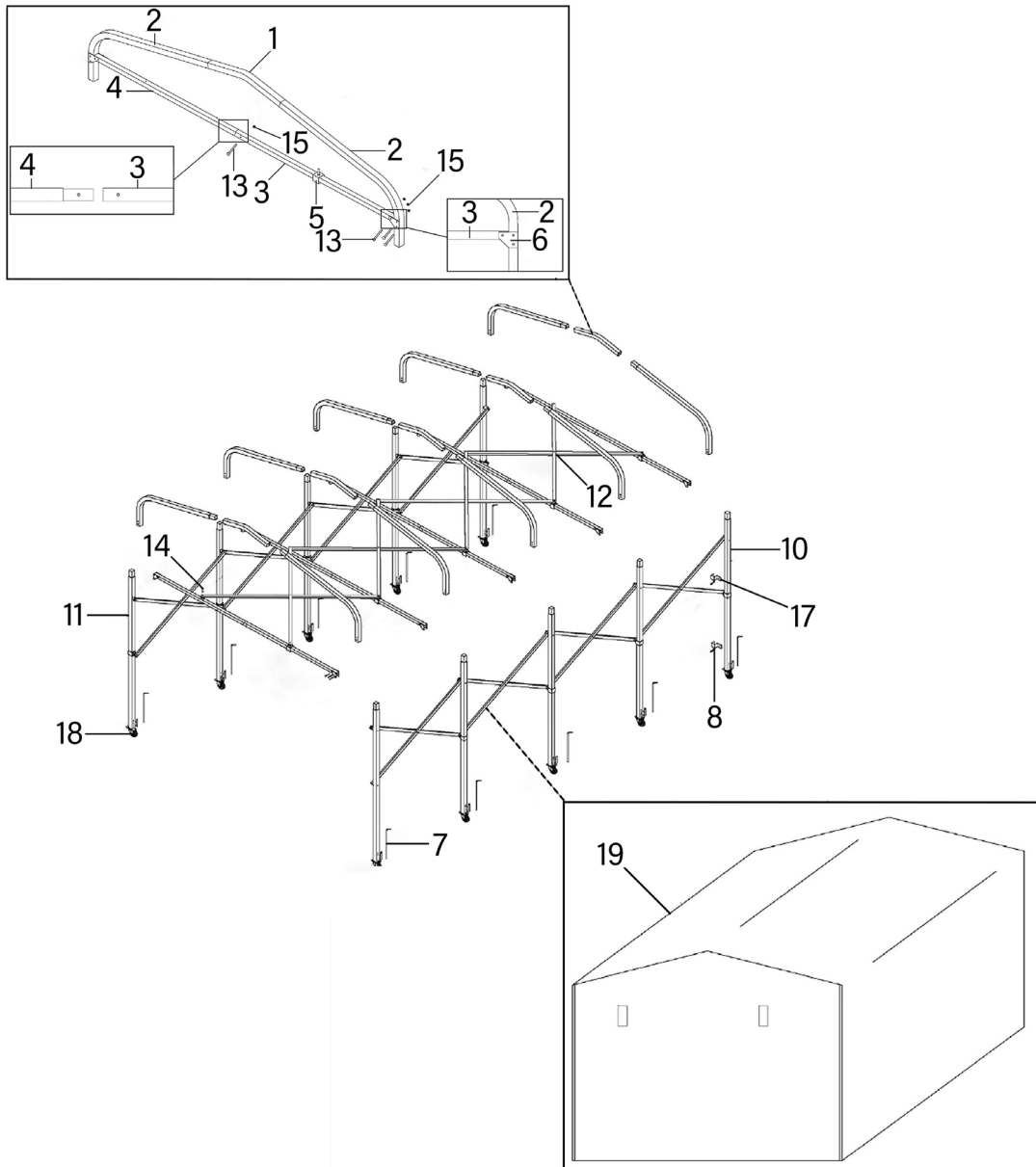




Parts Information:
**Extending Steel Garage Extension 2.5 x 4.5
 x 2.5m**
Model No: FGE01



Item	Part No.	Description
1	FGE01.01	Centre Tube
2	FGE01.02	Roof Tube
3	FGE01.03	Horizontal Brace (F)
4	FGE01.04	Horizontal Brace (M)
5	FGE01.05	Sliding Tube
6	FGE01.06	Connecting Plate
7	FGE01.07	Stake Peg
8	FGE01.08	Anchorage Clip
10	FGE01.10	Rising Component (R)
11	FGE01.11	Rising Component (L)

Item	Part No.	Description
12	FGE01.12	Pipe Jack Component
13	FGE01.13	Button Head Socket Screw M6 x 55
14	FGE01.14	Button Head Socket Screw M8 x 70
15	NLN6.S	Nyloc Nut M6
17	FGE01.17	Expansion Anchor Bolt
18	FGE01.18	Universal Wheel
19	FGE01.19	Car Port Cover Tarpaulin
--	FGE01.09	Axle Tube (Not Shown)
--	NLN8.S	Nyloc Nut M8 (Not Shown)

NOTE: It is our policy to continually improve products and as such we reserve the right to alter data, specifications and component parts without prior notice. There may be alternative versions of this product, please contact us should you require this information.

IMPORTANT: No liability is accepted for incorrect use of product. Spare parts must be fitted by a competent person

WARRANTY: Guarantee is 12 months from purchase date, proof of which will be required for any claim.

Sealey Group, Kempson Way, Suffolk Business Park, Bury St Edmunds, Suffolk. IP32 7AR



01284 757500



sales@sealey.co.uk



www.sealey.co.uk