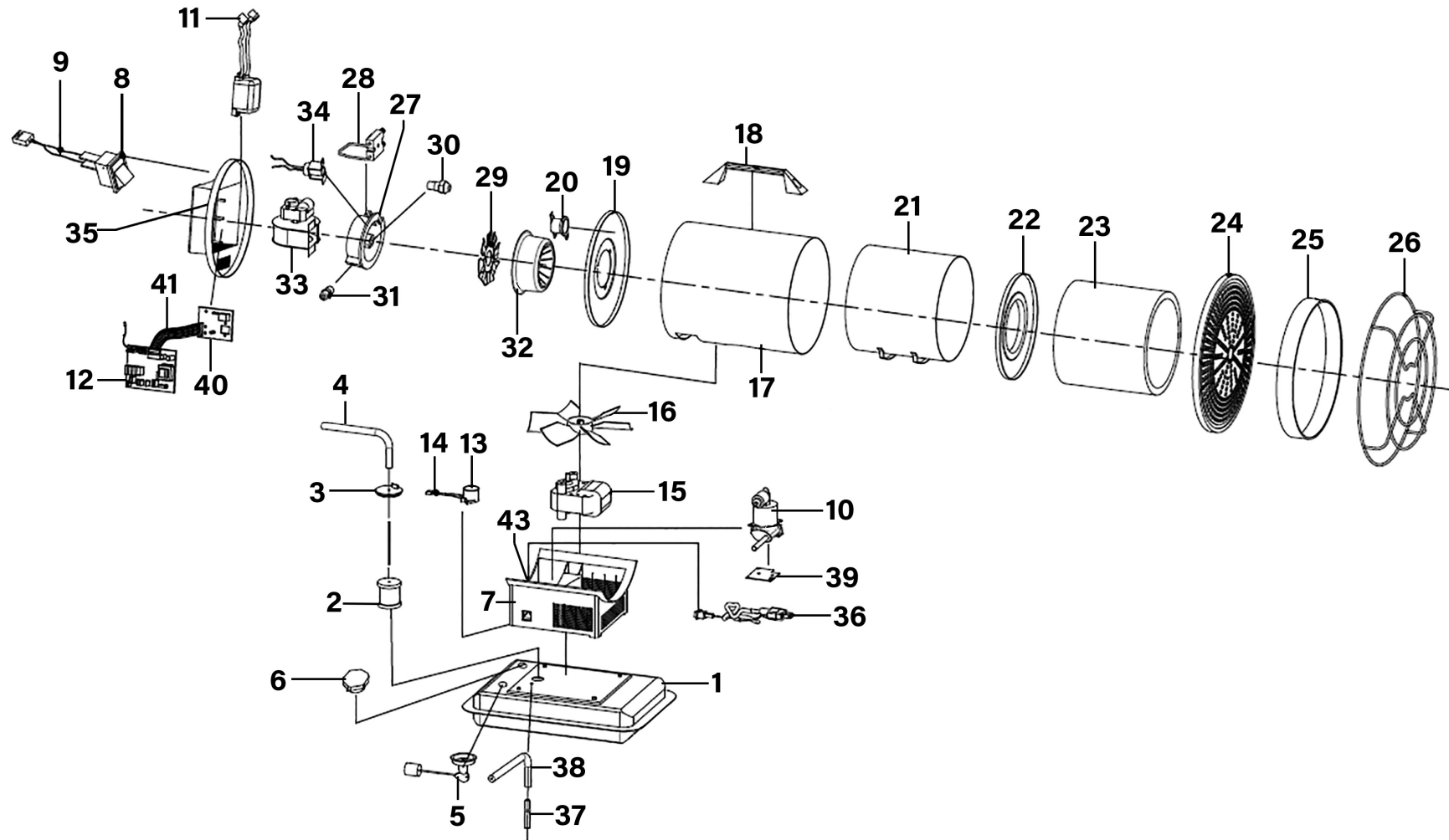




Parts Information:
Infrared Paraffin/Kerosene/Diesel Heater 20.5kW
Model No: IR20.V5



NOTE: It is our policy to continually improve products and as such we reserve the right to alter data, specifications and component parts without prior notice.

There may be alternative versions of this product, please contact us should you require this information.

IMPORTANT: No liability is accepted for incorrect use of product. Spare parts must be fitted by a competent person

WARRANTY: Guarantee is 12 months from purchase date, proof of which will be required for any claim.

Sealey Group, Kempson Way, Suffolk Business Park, Bury St Edmunds, Suffolk. IP32 7AR



01284 757500



01284 703534



sales@sealey.co.uk



www.sealey.co.uk



Parts Information:
Infrared Paraffin/Kerosene/Diesel Heater
20.5kW
Model No: IR20.V5

Item	Part No.	Description
1	P75-001-0350	Fuel Tank
2	P75-023-0285	Fuel Filter, Inline (2017)
3	P75-023-0355	Fuel Packing
4	P75-024-0735	Fuel Hose
5	P75-022-0210	Fuel Gauge Ass'y
6	P75-002-0110	Fuel Cap Ass'y (33mm Dia)
7	P75-011-0685	Cooling Fan Housing (2017)
8	P75-012-0110	Switch, On/Off Rocker 3a/250v
9	P75-012-0220	Cables For Power Switch
10	P75-027-0261	Electronic Pump Assembly
11	P70-037-0120	Ignitor Eu
12	P75-025-0450	PCB, Control Board, 122 X 98mm, c/w Fuse
13	P50-017-0065	Tip Over Switch
14	P75-051-0260	Cables For Tip Over Switch
15	P75-047-0255	Cooling Motor (Internal 230v 50hz)
16	P75-047-0200	Cooling Fan
17	IR20-V5-17	Cover (Black)
18	P75-001-0060N	Handle
19	P75-011-1100	Guard
20	P75-040-0100	Thermal Cut Out Switch B075
21	P75-035-0800	Chamber Assembly
22	P75-035-0820	Chamber Insulator
23	P75-035-0830	Ceramic Fiber
24	IR20-V5-24	Heat Plate
25	P75-011-0650	Chamber Ring

Item	Part No.	Description
26	P75-012-0310	Safety Guard
27	P75-036-0180	Burner Body
28	P75-075-0200	Spark Plug (Long Pronged 39mm)
29	P75-036-0120	Burner Blade
30	P75-036-0435	Nozzle - Danfoss 0.50gph 80deg
31	P75-040-0610	Nipple
32	P42-300-0010	Diffusion Cap
33	P75-045-0205	Blower Motor Assembly (Internal 220-240v 50hz)
34	P75-038-0200	Flame Sensor (2 Pin Plug)
35	P75-013-0106	Back Cover
36	P70-037-0120	Ignitor Assembly
37	P75-055-0100	Return Pipe
38	P75-055-0200	Return Hose 8mm x 15mm x 210mm
39	P75-027-0255	Electronic Pump Bracket
40	P75-013-0150	PCB, Circuit Board 230V, 122 X 98mm, c/w Fuse
41	P75-013-0120	Lead Wire (Connect Main PCB & Sub PCB
43	P75-011-0690	Cooling Fan Housing Back Cover
--	P75-024-0725	Inlet Tube Assembly (New - 2017) (Not Shown)
--	P75-001-0505	Hose Clamp (New - 2017), Spring Type (Not Shown)
--	P70-028-0200	Pressure Gauge (New - 2017) (Not Shown)
--	P75-001-0510	Gauge Connector (New - 2017) (Not Shown)
--	P75-035-0450	Burner Gasket (Not Shown)
--	P72-035-0625	Radiant Cone Gasket(Not Shown)

NOTE: It is our policy to continually improve products and as such we reserve the right to alter data, specifications and component parts without prior notice. There may be alternative versions of this product, please contact us should you require this information.

IMPORTANT: No liability is accepted for incorrect use of product. Spare parts must be fitted by a competent person

WARRANTY: Guarantee is 12 months from purchase date, proof of which will be required for any claim.

Sealey Group, Kempson Way, Suffolk Business Park, Bury St Edmunds, Suffolk. IP32 7AR



01284 757500



01284 703534



sales@sealey.co.uk



www.sealey.co.uk