

SEALEY

3150W INFRARED PANEL DRYER - SHORT WAVE

MODEL NO: IR3000S

Thank you for purchasing a Sealey product. Manufactured to a high standard, this product will, if used according to these instructions, and properly maintained, give you years of trouble free performance.

IMPORTANT: PLEASE READ THESE INSTRUCTIONS CAREFULLY. NOTE THE SAFE OPERATIONAL REQUIREMENTS, WARNINGS & CAUTIONS. USE THE PRODUCT CORRECTLY AND WITH CARE FOR THE PURPOSE FOR WHICH IT IS INTENDED. FAILURE TO DO SO MAY CAUSE DAMAGE AND/OR PERSONAL INJURY AND WILL INVALIDATE THE WARRANTY. KEEP THESE INSTRUCTIONS SAFE FOR FUTURE USE.



Refer to instruction manual



Warning: Electricity



Warning: Hot Surface



Indoor Use Only



Keep away from flammable substances during operation



Unplug before cleaning



Do not cover

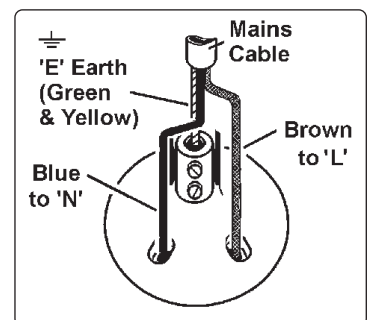
1. SAFETY

1.1. ELECTRICAL SAFETY

- WARNING! It is the owner's responsibility to read, understand and comply with the following:**

You must check all electrical equipment and appliances to ensure that they are safe before use. You must inspect power supply leads, plugs and all electrical connections for wear and damage. You must ensure the risk of electric shock is minimised by the installation of appropriate safety devices. An RCCB (Residual Current Circuit Breaker) should be incorporated in the main distribution board. We also recommend that an RCD (Residual Current Device) is used with all electrical products. It is particularly important to use an RCD with portable products that are plugged into an electrical supply not protected by an RCCB. If in doubt consult a qualified electrician. **You must** also read and understand the following instructions concerning electrical safety.

- 1.1.1. **The Electricity At Work Act 1989** requires all portable electrical appliances, if used on business premises, to be tested by a qualified electrician, using a Portable Appliance Tester (PAT), at least once a year.
- 1.1.2. **The Health & Safety at Work Act 1974** makes owners of electrical appliances responsible for the safe condition of the appliance and the safety of the appliance operator. **If in any doubt about electrical safety, contact a qualified electrician.**
- 1.1.3. Ensure the insulation on all cables and the product itself is safe before connecting to the mains power supply. See 1.1.1. & 1.1.2. above and use a Portable Appliance Tester (PAT).
- 1.1.4. Ensure that cables are always protected against short circuit and overload.
- 1.1.5. Regularly inspect power supply, leads, plugs for wear and damage and all electrical connections to ensure that none are loose.
- 1.1.6. **Important:** Ensure the voltage marked on the product is the same as the electrical power supply to be used and check that supply is correctly fused, see fuse rating at right.
- 1.1.7. **DO NOT** pull or carry the powered appliance by its power supply lead.
- 1.1.8. **DO NOT** pull power plugs from sockets by the power cable.
- 1.1.9. **DO NOT** use worn or damaged leads, plugs or connections. Immediately replace or have repaired by a qualified electrician.
- 1.1.10. This product comes without a plug. **You must** contact a qualified electrician to ensure an adequate supply is available.
If fitting such a plug -
Ensure that the unit is correctly wired and earthed, as follows:
a) Connect the GREEN/YELLOW earth wire to the earth terminal 'E'.
b) Connect the BROWN live wire to live terminal 'L'.
c) Connect the BLUE neutral wire to the neutral terminal 'N'.
d) After wiring, check there are no bare wires, that all wires have been correctly connected, that the cable outer insulation is clamped by the cable grip and that the grip is tight.
- 1.1.11. **Cable extension reels.** When a cable extension reel is used it should be fully unwound before connection. A cable reel with an RCD fitted is recommended since any product which is plugged into the cable reel will be protected. The section of the cores of the cable is important. 2.5mm² section is a minimum, but to be absolutely sure that the capacity of the cable reel is suitable for this product and for others that may be used in the other output sockets, we recommend the use of 2.5mm² section cable.



THIS PRODUCT REQUIRES A MINIMUM 16 AMP SUPPLY

1.2. GENERAL SAFETY

- WARNING! Ensure there is nobody in front of the lamp when it is switched on.**
- ✓ Disconnect the panel dryer from the power supply before servicing, changing accessories, or performing any maintenance.
 - ✓ Ensure that the panel dryer is in good condition before use. If in any doubt do not use the unit and contact an electrician.
 - ✓ Familiarise yourself with the application and limitations of the panel dryer.
 - ✓ Check that lamp guards are in place, undamaged and firmly attached.
 - ✓ Keep tools and other items away from the panel dryer when it is in use.
 - ✓ Keep the work area clean and clear of unnecessary items.
 - ✓ Remember that the lamp panel will get hot, allow to cool after use.
 - ✓ Maintain the panel dryer in good condition. Use authorised agent for servicing.
 - ✓ Keep the dryer clean, but **DO NOT** use solvents. Refer to section 7 for cleaning of emitter tubes.
 - ✓ Use only genuine parts and accessories. *Unauthorised parts and accessories may be dangerous and will invalidate your warranty.*
 - ✗ **DO NOT** misuse the electric cable, do not drag the product by the cable. Keep power cable away from hot, oily sharp or fixed objects. Replace damaged cables as soon as possible.
 - ✗ **DO NOT** use this product to perform a task for which it has not been designed.

- ✗ **DO NOT** cover the product.
- ✗ **DO NOT** use the panel dryer outdoors, or in damp, or wet locations.
- ✓ **DO NOT** operate within the vicinity of flammable liquids, gases or solids.
- ☐ **WARNING! Never use in explosive situations.**
- ✓ Keep children and unauthorised persons away from the work area.
- ✓ When not in use, store the panel dryer carefully in a safe, dry, childproof location.
- ✓ Maintain a safe and tidy working environment.
- ✓ In case the machine is used in a spray booth, it is a must to purify the in-house air first.
- ✓ Be careful of the uneven floor when moving the machine to avoid any overturn.
- ✓ Remove all objects in front of the lamp tubes before use.
- ✓ Keep any person at least 4 meters away from the painting surface.

2. INTRODUCTION

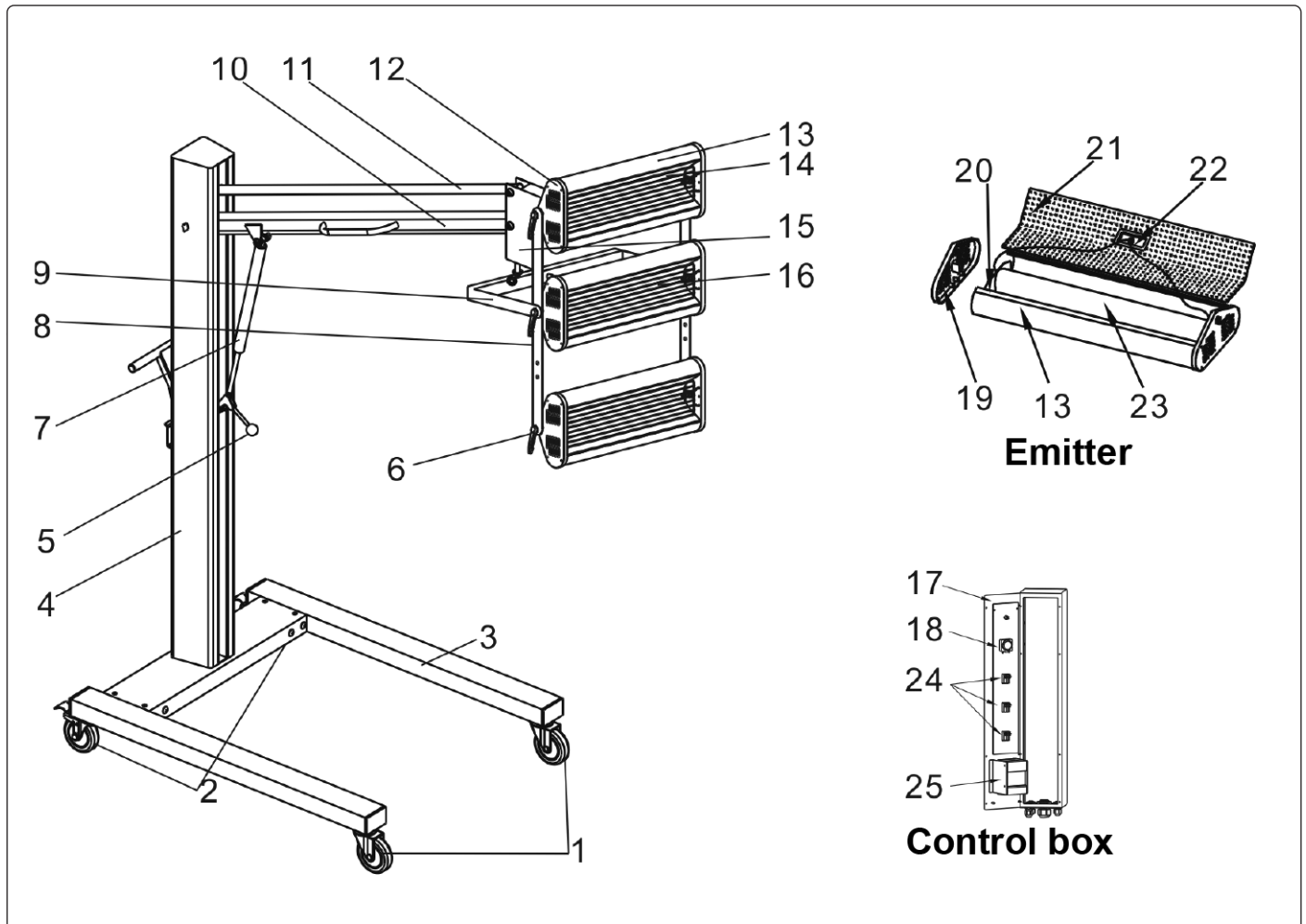
Lamps emit short wave infrared heat, ideal for optimised drying of water based paints. In-built timer turns lamps off after a set time. Fitted with four swivel castors, two with brakes for maximum manoeuvrability and safe positioning. Flexible manoeuvrable lamp system allows each heater to be adjusted and locked in position around the contours of the vehicle, ensuring maximum area coverage. Height adjustment is made using the locking gas strut, offering near weightless movement of the support arm.

3. SPECIFICATION

Model No: IR3000S
 Element Power: 3150W
 Number of Elements: 3 x 1050W
 Optimal Baking Area: 1.0m x 0.8m
 Operating Temperature (°C): 40-70°C

Power Supply: 3.7m
 Reflector size: 530mm x 140mm
 Supply: 230V ~ 50Hz 16A
 Timer Range: 0-30mins

4. CONTENTS



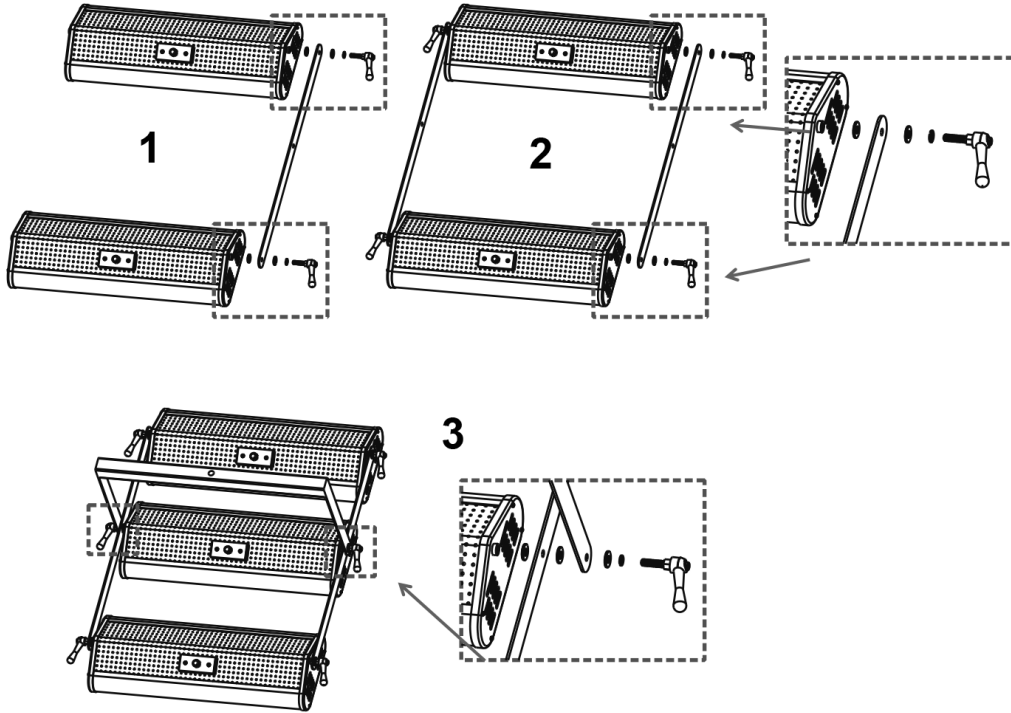
No.	Description	No.	Description
1	Front castor wheel	7	Gas spring
2	Back castor wheel	8	Connective plate
3	Pedestal	9	U shaped support
4	Post	10	Flat cross arm
5	Gas spring handle	11	Round cross arm
6	AM8 adjustable handle	12	Side panel of emitter

No.	Description	No.	Description
13	Bent plate	20	Small reflective panel
14	Front protective grill	21	Rear panel
15	Connection box	22	Ceramic connector
16	Emitter tube	23	Reflective panel
17	Panel	24	Lamp tube switch
18	Timer	25	Circuit breaker
19	Emitter side panel		

5. ASSEMBLY

5.1. EMITTER HEAD ASSEMBLY

fig.1



5.2. PEDESTAL ASSEMBLY

fig.2 1

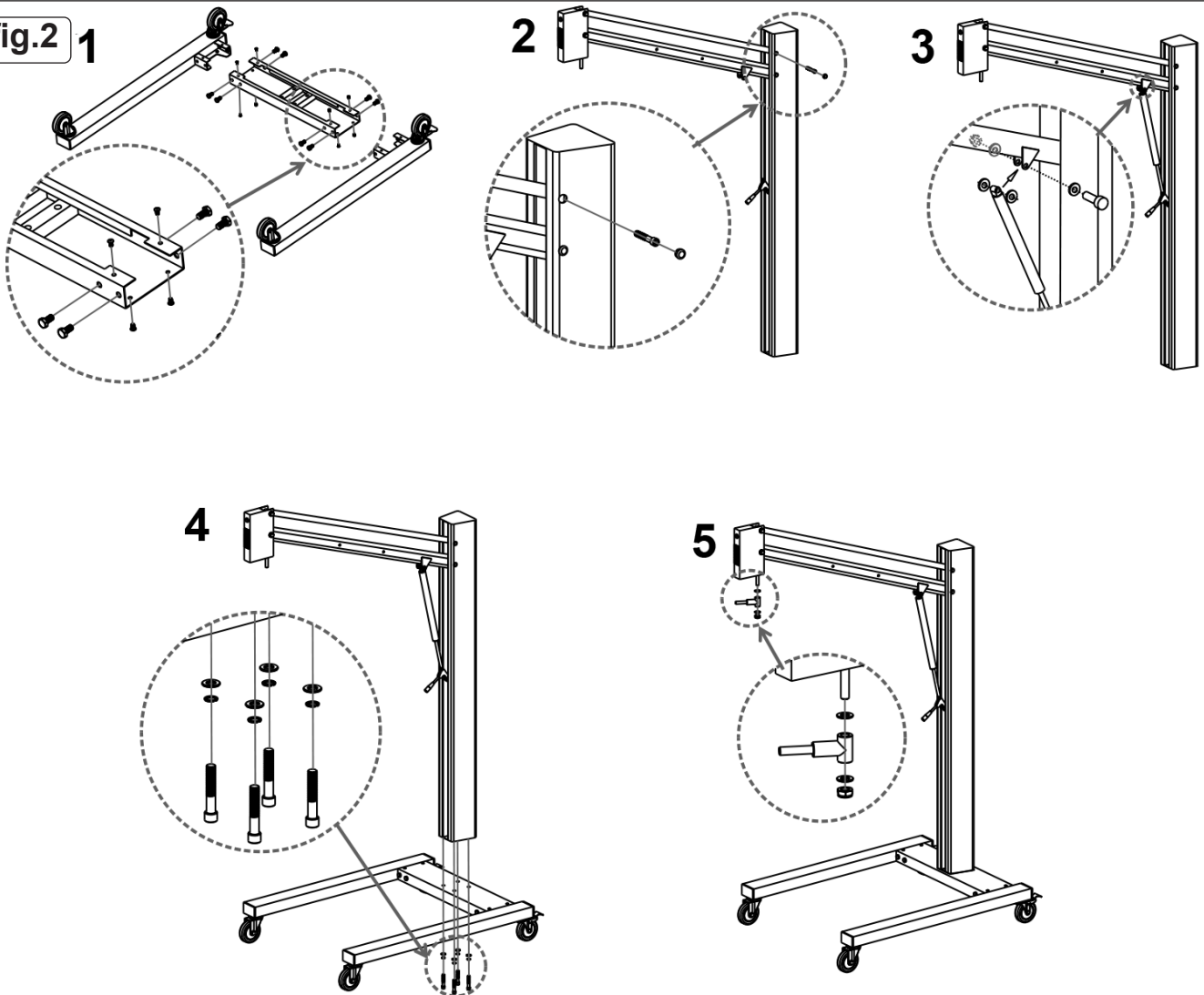
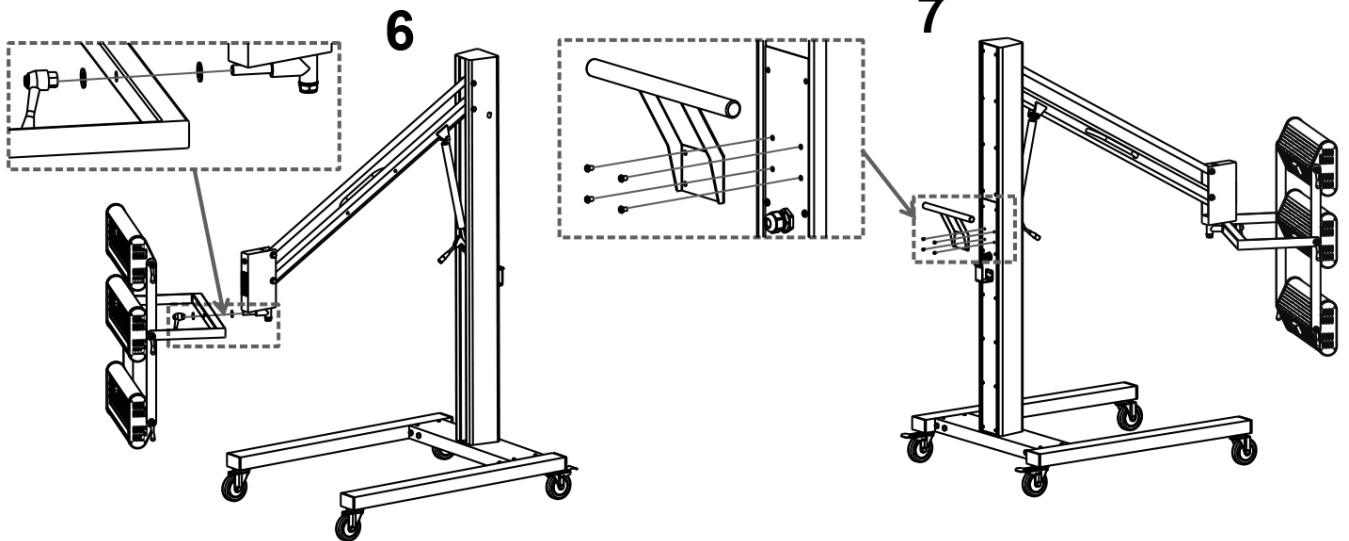
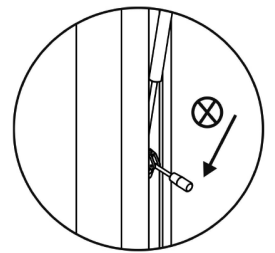


fig.3



- 5.3. Take out the pedestal from package; install the braked castor wheels at the rear of the pedestal and the brakeless castor wheels at the front of the pedestal, fig.2.1.
- 5.4. Fix the post on the pedestal, and mount the gas spring onto the flat cross arm, fig.2.2, fig.2.3.
 - ❑ **WARNING!** Note: When assembling, do not press the gas spring handle on the post, otherwise it may cause injury due to the rapid lifting of the cross arm as the emitter head assembly has not yet been fitted.
- 5.5. Install the emitter head assembly, fig.3.
- 5.6. Plug cables from emitter heads into the connection box (15).



6. OPERATION

6.1. CONTROL PANEL, fig.4

KEY

- 1. Power light
- 2. Timer
- 3. Temperature adjustment
- 4, 5, 6: Lamp tube switches
- 7. Power switch

6.2. OPERATION

6.2.1. Position Adjustment

- 6.2.1.1. Move the machine and adjust the distance between the lamp cassette and the surface to be repaired (about 50cm)
- 6.2.1.2. Press the gas spring handle to adjust the height of the lamp cassette to the surface to be repaired.
- 6.2.1.3. Adjust the lamp cassette angle to allow it to be parallel to the surface to be repaired.
- 6.2.1.4. Apply the brakes on the rear castor wheels.
- 6.2.2. Ensure switch 7 is off, connect to mains supply.
- 6.2.3. Turn on main switch 7.
- 6.2.4. Press switches 3/4/5 to start tubes.
- 6.2.5. Adjust temperature switch 3 to adjust baking level if necessary.
- 6.2.6. Set timer (alarm sounds when time is up).

7. MAINTENANCE

- ❑ **WARNING!** Ensure the machine is disconnected from mains supply and cooled down before cleaning or performing any maintenance.

7.1. CLEANING

- 7.1.1. Regular cleaning of tubes and reflector panel should be done using a piece of soft cloth or cotton with alcohol.

* **DO NOT** start the lamp tube until the alcohol has evaporated, otherwise it may lead to an explosion.

7.2. REPLACEMENT OF LAMP EMITTER TUBE (fig.5)

- ❑ **WARNING!** Ensure the machine is disconnected from mains supply and cooled down before cleaning or performing any maintenance.

- 7.2.1. Take out the front protective grill (14) in front of the lamp emitter tube.
- 7.2.2. Loosen the screws on the side panel of the emitter and remove the side panel (19).
- 7.2.3. Release rear panel (21).
- 7.2.4. Loosen the two leads in the lamp tube and remove the tube. Clean if necessary see section 7.
- 7.2.5. Fix the new tube with same model number and wire the tube correctly.

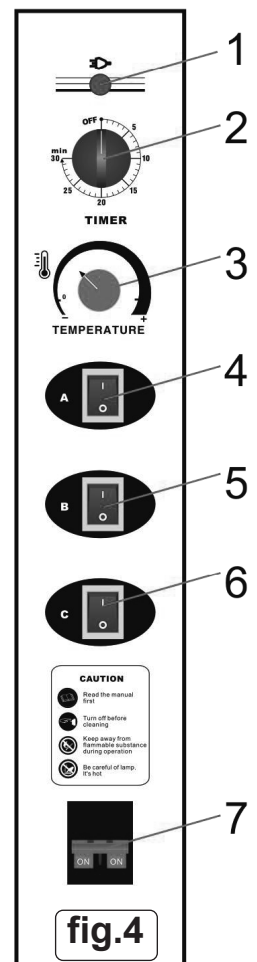
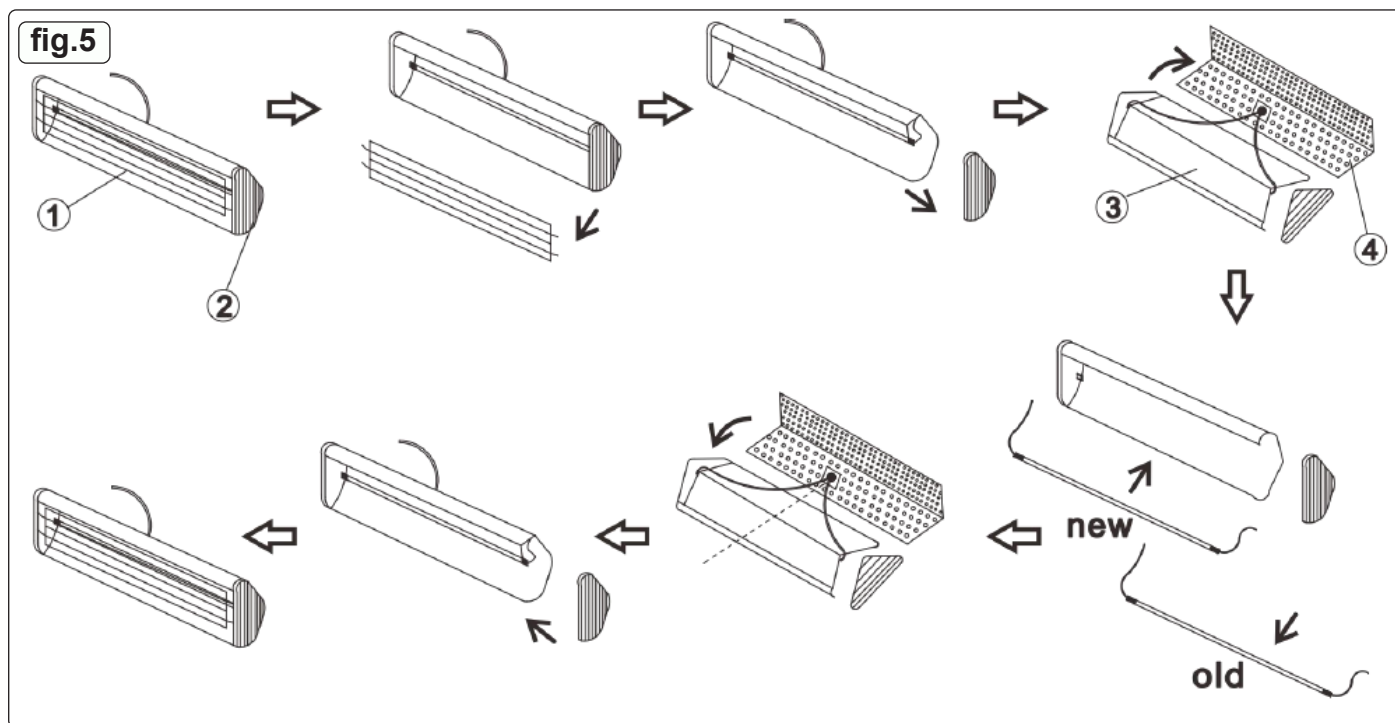


fig.4

- 7.2.6. Install the rear panel (21), reflective panel (23) and the side panel (19).
- 7.2.7. Use a piece of soft cloth to clean the reflective panel and tube with alcohol, remembering to let it evaporate before use.
- 7.2.8. Install the front protective grill (14).



8. TROUBLESHOOTING

DEFECT	CAUSE	TROUBLESHOOTING
Small pores on the baked paint surface	Lamp too close to the repaired surface.	Increase the distance.
	Insufficient preheating time.	Increase the preheating time.
	Fast thinning agent included in the paint.	Use standard or slow thinning agent.
Dim paint	Lamp too far away from the repaired surface.	Move dryer closer.
	Insufficient Baking.	Increase the baking time
	Too thick coating.	Thin the coating.
Stains	Too long baking.	Shorten the baking.
	Too close.	Increase the distance.
Fuzzy edge	The repair surface is too large.	Separate it into two pieces for baking.
Uneven baking	The lamp is not at the correct height.	Adjust the lamp to allow it to be as height as the repaired surface.

NOTE: For optimal baking performance, we recommend that users should work out the suitable operating procedures, baking time and distance according to the local conditions, working environment and the type of paint.



WEEE REGULATIONS

Dispose of this product at the end of its working life in compliance with the EU Directive on Waste Electrical and Electronic Equipment (WEEE). When the product is no longer required, it must be disposed of in an environmentally protective way. Contact your local solid waste authority for recycling information.



ENVIRONMENT PROTECTION

Recycle unwanted materials instead of disposing of them as waste. All tools, accessories and packaging should be sorted, taken to a recycling centre and disposed of in a manner which is compatible with the environment. When the product becomes completely unserviceable and requires disposal, drain any fluids (if applicable) into approved containers and dispose of the product and fluids according to local regulations.

Note: It is our policy to continually improve products and as such we reserve the right to alter data, specifications and component parts without prior notice.

Important: No Liability is accepted for incorrect use of this product.

Warranty: Guarantee is 12 months from purchase date, proof of which is required for any claim.



REGISTER YOUR PURCHASE HERE

Sealey Group, Kempson Way, Suffolk Business Park, Bury St Edmunds, Suffolk. IP32 7AR



01284 757500



sales@sealey.co.uk



www.sealey.co.uk