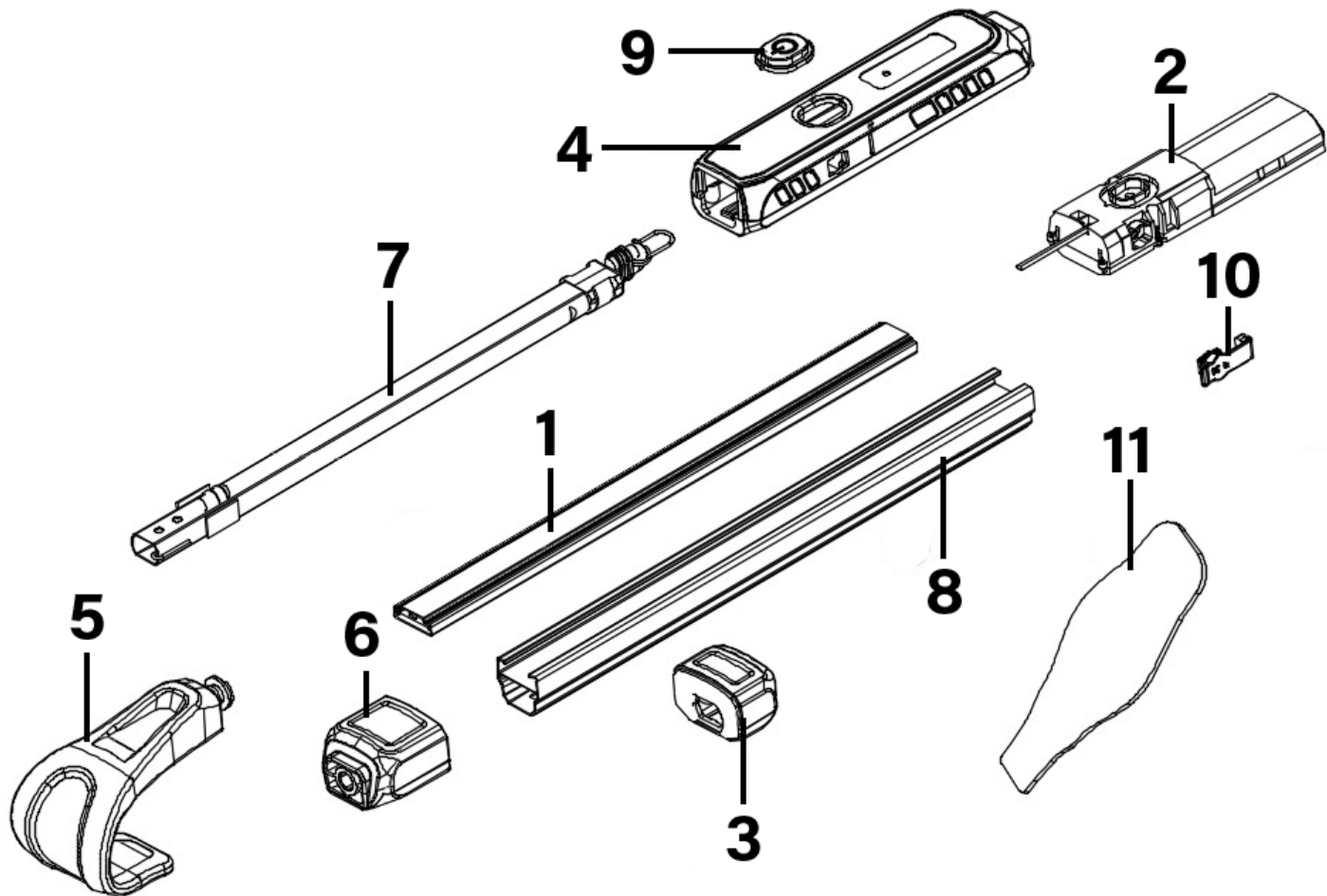




Parts Information:
**Under-Bonnet Cordless 10W SMD LED
 1000lm Rechargeable Light - Lithium-ion
 Model No: LED138**



Item	Part No.	Description	Qty
1	LED138.01	Clear Lens (c/w PCB)	1
2	LED138.02	PCB, Control Board, 135 X 40mm, c/w Battery	1
3	LED138.03	Connector	1
4	LED138.04	Handle	1
5	LED138.05	End Hook	2
6	LED138.06	Attachment Clamp for Hook	1
7	LED138.07	Telescopic Tube	1

Item	Part No.	Description	Qty
8	LED138.08	Aluminium Housing	1
9	LED138.09	Switch Button	1
10	LED138.10	USB Charging Port	1
11	LED138.11	Bonnet Protection Cover	2
--	LED138.12	Main Charger 5V 1A (Not Shown)	1
--	LED3602G.41	Micro USB to USB Cable (Not Shown)	1

NOTE: It is our policy to continually improve products and as such we reserve the right to alter data, specifications and component parts without prior notice. There may be alternative versions of this product, please contact us should you require this information.

IMPORTANT: No liability is accepted for incorrect use of product. Spare parts must be fitted by a competent person

WARRANTY: Guarantee is 12 months from purchase date, proof of which will be required for any claim.

Sealey Group, Kempson Way, Suffolk Business Park, Bury St Edmunds, Suffolk. IP32 7AR



01284 757500



sales@sealey.co.uk



www.sealey.co.uk