



MECHANICAL BEARING SEPARATOR/PULLER SET 12PC

MODEL NO: **PS984.V4**

Thank you for purchasing a Sealey product. Manufactured to a high standard, this product will, if used according to these instructions, and properly maintained, give you years of trouble free performance.

IMPORTANT: PLEASE READ THESE INSTRUCTIONS CAREFULLY. NOTE THE SAFE OPERATIONAL REQUIREMENTS, WARNINGS & CAUTIONS. USE THE PRODUCT CORRECTLY AND WITH CARE FOR THE PURPOSE FOR WHICH IT IS INTENDED. FAILURE TO DO SO MAY CAUSE DAMAGE AND/OR PERSONAL INJURY AND WILL INVALIDATE THE WARRANTY. KEEP THESE INSTRUCTIONS SAFE



Refer to instructions



Wear eye protection



Wear protective gloves



Wear safety footwear



Wear protective clothing

1. SAFETY

- ❑ **WARNING!** Ensure all Health and Safety, local authority, and general workshop practice regulations are strictly adhered to when using tools.
 - ✗ **DO NOT** use tools if damaged or worn.
 - ✓ Maintain the tools in good and clean condition for best and safest performance.
 - ✓ Ensure all threads are clean and well lubricated, especially the thrust bolt.
 - ✓ Always check that the puller is correctly assembled and is square with the workpiece.
 - ✓ If the vehicle is raised, ensure it is adequately supported with axle stands, ramps, etc. as appropriate.
 - ✓ Wear suitable clothing to avoid snagging. **DO NOT** wear jewellery. Tie back long hair.
 - ✓ Wear approved eye protection. A full range of personal safety equipment is available from your Sealey stockist.
 - ✓ Where possible shield the workpiece with canvas or similar to provide protection against failed parts.
 - ✗ **DO NOT** heat puller jaws when heating a gear or bearing as this will affect the temper and, therefore, the strength of the material.
 - ✗ **DO NOT** use air tools to turn the thrust bolt. Always keep thrust bolt well lubricated.
 - ✗ **DO NOT** hit the workpiece or ram with a hammer if the workpiece has not moved with maximum puller force applied. Use a larger capacity puller.
 - ✓ Account for all tools and parts being used and **DO NOT** leave them in or on the vehicle.
- IMPORTANT:** Always refer to the vehicle manufacturer's service instructions, or proprietary manual, to establish the correct procedure and data. These instructions for use are provided as a guide only.

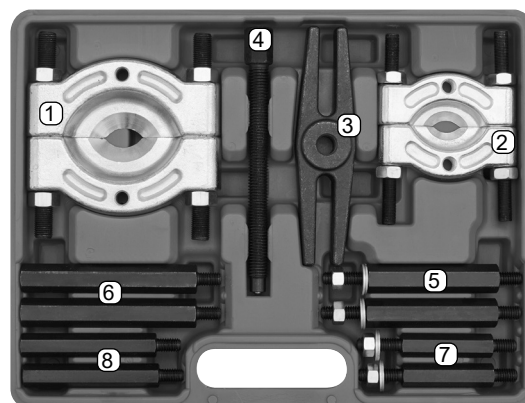
2. INTRODUCTION

Mechanical puller set with Ø25-50mm and Ø45-75mm separators and single yoke with 170mm thrust bolt. Suitable for engineering, automotive, marine and agricultural applications. Supplied in storage case.

3. CONTENTS

ITEM	PART NO.	DESCRIPTION
1	PS987*	Ø45-75mm separators
2	PS986**	Ø25-50mm separators
3	PS984-V4-03	Cross Beam 160mmL
4	PS984-V4-04	Thrust Bolt 170mmL
5	PS984-V4-05	Rod Extension 90mmL (Double Thread)
6	PS984-V4-06	Rod Extension 115mmL
7	PS984-V4-07	Rod Extension 60mmL (Double Thread)
8	PS984-V4-08	Rod Extension 85mmL

* PS987 is a replacement separator with Ø50-75mm
 ** PS986 is a replacement separator with Ø30-50mm



DO NOT USE AIR TOOLS



ALWAYS KEEP THRUST BOLT WELL LUBRICATED

4. OPERATION

- ❑ **WARNING!** Ensure that you read, understand and apply the safety instructions in Section 1.
- 4.1. Select the appropriate separators (fig.1.1 or fig.1.2).
- 4.2. Assemble the separators around rear of bearing and clamp together using the studs and nuts.
- 4.3. Screw the threaded ends of the two puller rods into the separators (fig.1.5 or fig.1.7)
- 4.4. Fix the cross beam (fig.1.3) to the puller rods using the nuts and washers provided. **DO NOT** tighten at this stage.
- 4.5. Thread the thrust bolt (fig.1.4) through the cross beam until it contacts the centre of the shaft.
- 4.6. Tighten the thrust bolt to gradually pull the bearing free.
- ❑ **WARNING!** If the workpiece does not move when maximum puller force is applied, **DO NOT** hit it, or the puller, in an attempt to jar it free. Damage to puller/workpiece and personal injury may result. Use a larger capacity puller.

5. MAINTENANCE

- ✓ Keep all items clean and lightly oiled.
- ✓ Keep all threads free from grit and lubricate the thrust bolt regularly.



ENVIRONMENT PROTECTION

Recycle unwanted materials instead of disposing of them as waste. All tools, accessories and packaging should be sorted, taken to a recycling centre and disposed of in a manner which is compatible with the environment. When the product becomes completely unserviceable and requires disposal, drain any fluids (if applicable) into approved containers and dispose of the product and fluids according to local regulations.



REGISTER YOUR PURCHASE HERE

Note: It is our policy to continually improve products and as such we reserve the right to alter data, specifications and component parts without prior notice. Please note that other versions of this product are available. If you require documentation for alternative versions, please email or call our technical team on technical@sealey.co.uk or 01284 757505.

Important: No Liability is accepted for incorrect use of this product.

Warranty: Guarantee is 12 months from purchase date, proof of which is required for any claim.

Sealey Group, Kempson Way, Suffolk Business Park, Bury St Edmunds, Suffolk. IP32 7AR



01284 757500



sales@sealey.co.uk



www.sealey.co.uk