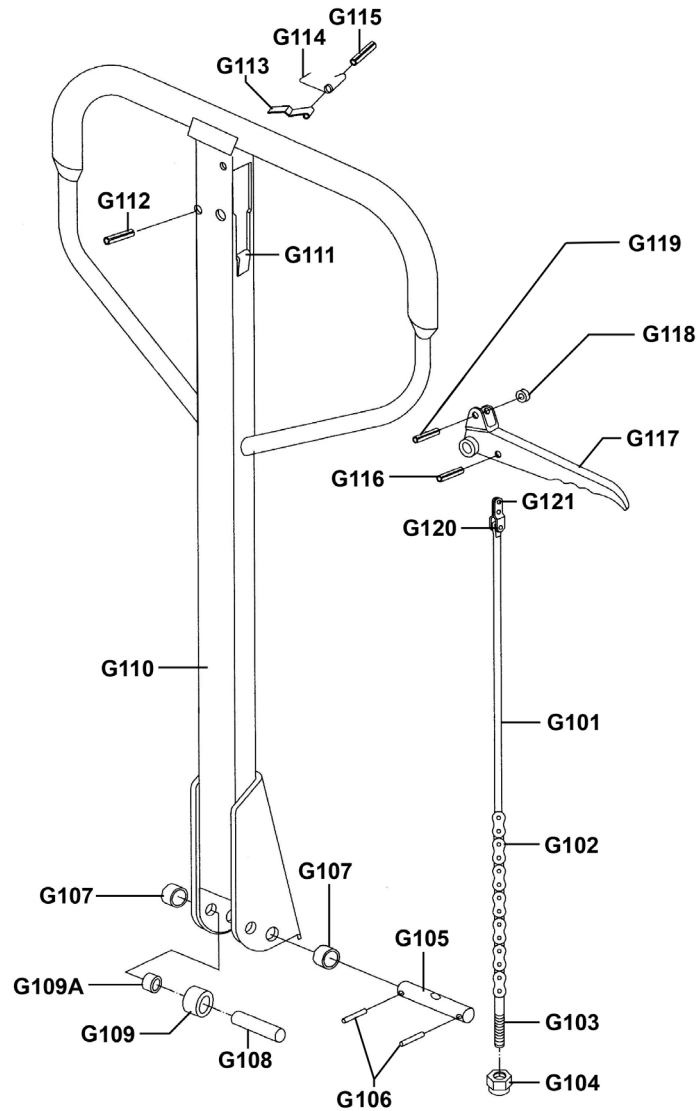


Parts Information:  
**Pallet Truck with Scales - 2000kg Capacity**  
**1150 x 555mm**  
**Model No: PT1150SC.V4**



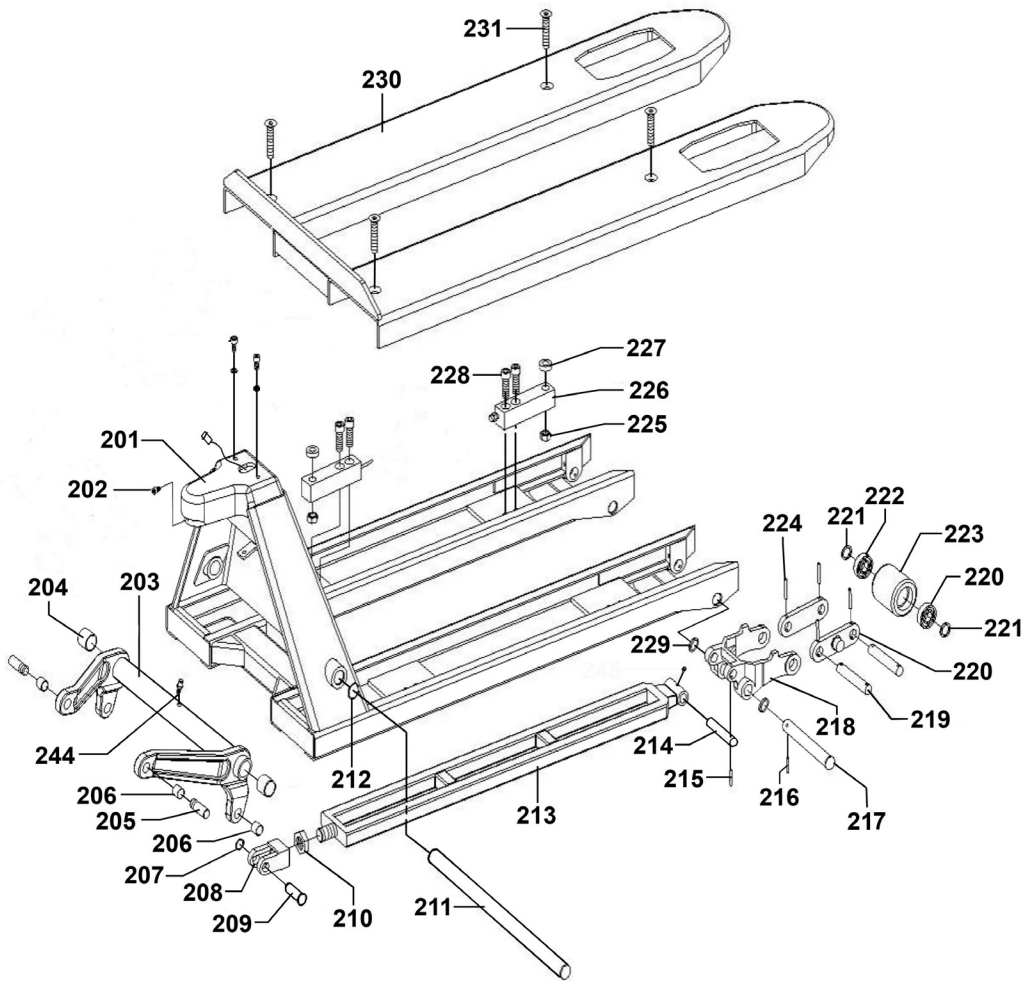
Item	Part No.	Description	Qty
G101	PT1150SC-V4-G101	Release Rod Ø6 x 670	1
G102	PT1150SC-V4-G102	Release Rod Chain	1
G103	PT1150SC-V4-G103	Release Rod (Shaft)	1
G104	PT1150SC-V4-G104	Adjusting Nut	1
G105	PT1150SC-V4-G105	Handle Axle Ø20 x 103	1
G106	PT1150SC-V4-G106	Spring Pin 5 x 35	2
G107	PT1150SC-V4-G107	Bush (with Shoulder) Ø20 x Ø22 x 15-SF-1	2
G108	PT1150SC-V4-G108	Axle for Handle Ø15 x 60	1
G109	PT1150SC-V4-G109	Pressure Roller Ø24 x Ø17 x 36	1
G109A	PT1150SC-V4-G109A	Bush Ø15 x Ø17 x 15-SF-1	2
G110	PT1150SC-V4-G110	Handle Frame	1

Item	Part No.	Description	Qty
G111	PT1150SC-V4-G111	Rubber Cushion	1
G112	PT1150SC-V4-G112	Spring Pin 6 x 30	1
G113	PT1150SC-V4-G113	Blade Spring	1
G114	PT1150SC-V4-G114	Spring for Control Handle Ø6.6 x Ø1.6 x 3.6	1
G115	PT1150SC-V4-G115	Spring Pin 4 x 30	1
G116	PT1150SC-V4-G116	Spring Pin 4 x 14	1
G117	PT1150SC-V4-G117	Control Handle	1
G118	PT1150SC-V4-G118	Roller Ø12 x Ø4.5 x 10	1
G119	PT1150SC-V4-G119	Spring Pin 4 x 20	1
G120	PT1150SC-V4-G120	Linking Plate	1
G121	PT1150SC-V4-G121	Rivet 4 x 10	1

**NOTE:** It is our policy to continually improve products and as such we reserve the right to alter data, specifications and component parts without prior notice. There may be alternative versions of this product, please contact us should you require this information.

**IMPORTANT:** No liability is accepted for incorrect use of product. Spare parts must be fitted by a competent person

**WARRANTY:** Guarantee is 12 months from purchase date, proof of which will be required for any claim.



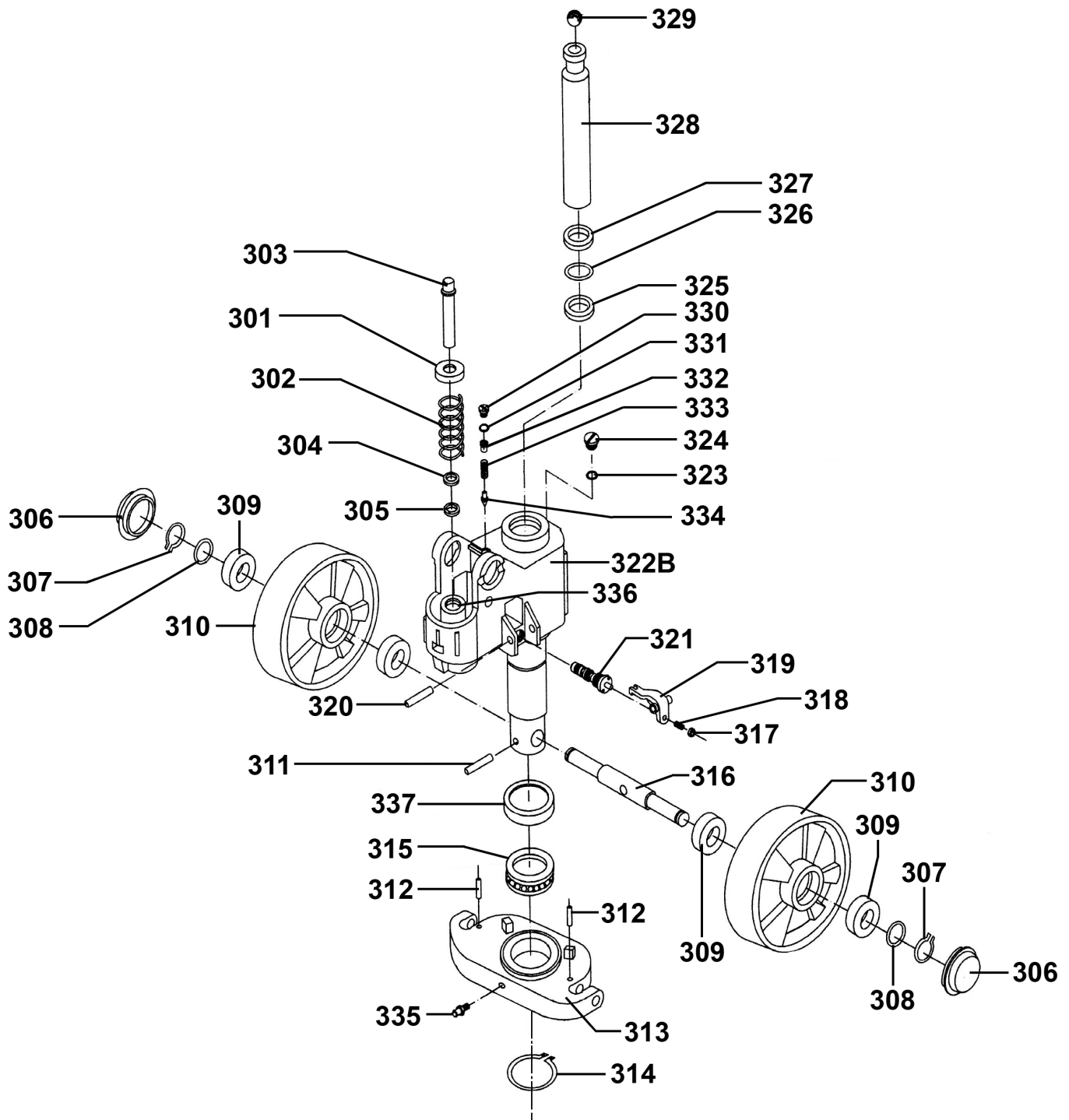
Item	Part No.	Description	Qty
201	PT1150SC-V4-201	Frame	1
202	PT1150SC-V4-202	Screw M6	1
203	PT1150SC-V4-203	Rocker Arm	1
204	PT1150SC-V4-204	Rocker Arm Bush Ø25 x Ø29 x 25-SF-1	2
205	PT1150SC-V4-205	Rocker Arm Axle Ø16 x 48	2
206	PT1150SC-V4-206	Rocker arm Bush Ø16 x Ø18 x 15-SF-1	4
207	PT1150SC-V4-207	External Circlip	2
208	PT1150SC-V4-208	Push Rod Fork	2
209	PT1150SC-V4-209	Hinge Pin Ø16 x 48	2
210	PT1150SC-V4-210	Nut M22	2
211	PT1150SC-V4-211	Rocker Arm Axle Ø25 x 476.5	1
212	PT1150SC-V4-212	External Circlip	2
213	PT1150SC-V4-213	Push Rod	2
214	PT1150SC-V4-214	Push Rod Axle Ø16 x 82	2
215	PT1150SC-V4-215	Spring Pin 5 x 28	2
216	PT1150SC-V4-216	Spring Pin 5 x 35	2

Item	Part No.	Description	Qty
217	PT1150SC-V4-217	Roller Frame Axle Ø20 x 155	2
218	PT1150SC-V4-218	Roller Frame	2
219	PT1150SC-V4-219	Roller Axle Ø20 x 94	4
220	PT1150SC-V4-220	Linking Plate	4
221	PT1150SC-V4-221	Washer	8
222	B/6204-2RS	Bearing 6204-2rs	8
223	PT1150SC-V4-223	PU Roller Ø74 x 70	4
224	PT1150SC-V4-224	Spring Pin 5 x 35	8
225	SNI2.S	Steel Nut M12 Zinc	4
226	PT1150SC-V4-226	Sensor	4
227	PT1150SC-V4-227	Washer	4
228	SCB1230.SB	Socket Cap Bolt M12 x 30mm Black	8
229	PT1150SC-V4-229	Washer	4
230	PT1150SC-V4-230	Frame Cover (555 x 1150)	1
231	PT1150SC-V4-231	Screw M12 x 63	4
244	PT1150SC-V4-244	Grease Nipple M6 45°	1

**NOTE:** It is our policy to continually improve products and as such we reserve the right to alter data, specifications and component parts without prior notice. There may be alternative versions of this product, please contact us should you require this information.

**IMPORTANT:** No liability is accepted for incorrect use of product. Spare parts must be fitted by a competent person

**WARRANTY:** Guarantee is 12 months from purchase date, proof of which will be required for any claim.



Item	Part No.	Description	Qty
301	PT1150SC-V4-301	Spring Cap Ø54 x Ø18.5 x 17	1
302	PT1150SC-V4-302	Spring Ø43.3 x Ø5.7 x 87	1
303	PT1150SC-V4-303	Piston Ø18 x 86.5	1
304	PT1150SC-V4-304	Dust Ring Ø18 x 26 x 4.5	1

Item	Part No.	Description	Qty
305	PT1150SC-V4-305	Seal Ring 18 x 26 x 5	1
306	PT1150SC-V4-306	Dust Cover	2
307	PT1150SC-V4-307	External Circlip	2
308	PT1150SC-V4-308	Washer	1

**NOTE:** It is our policy to continually improve products and as such we reserve the right to alter data, specifications and component parts without prior notice. There may be alternative versions of this product, please contact us should you require this information.

**IMPORTANT:** No liability is accepted for incorrect use of product. Spare parts must be fitted by a competent person

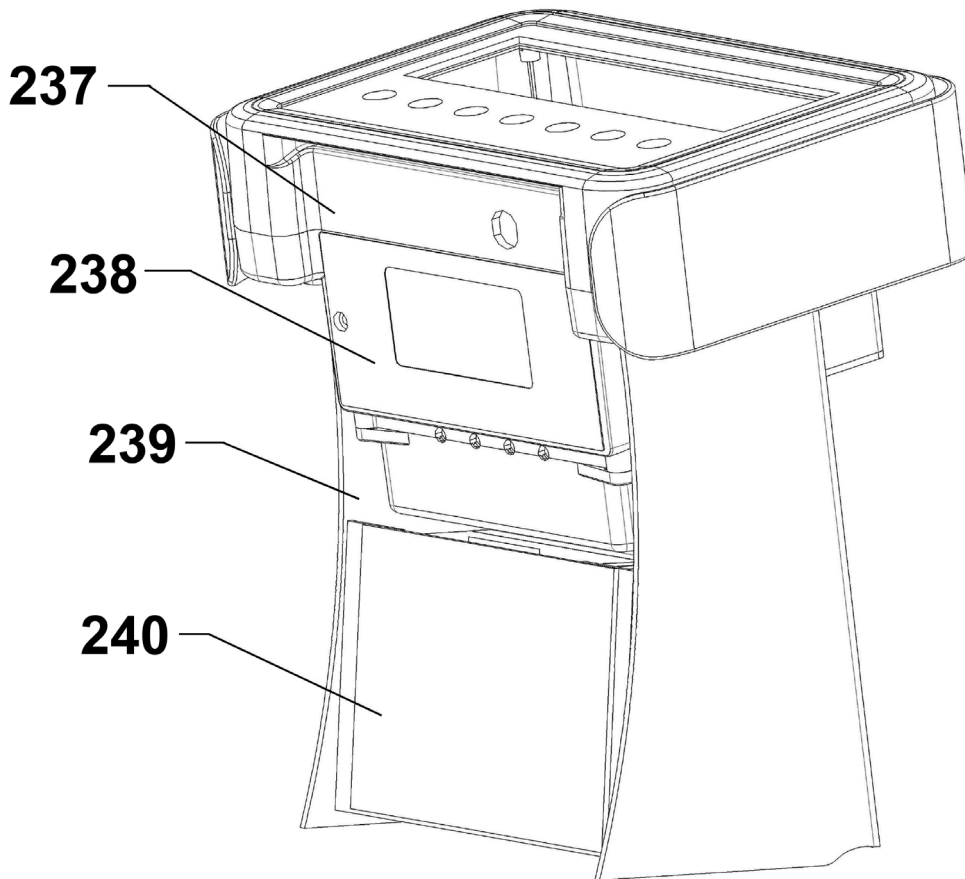
**WARRANTY:** Guarantee is 12 months from purchase date, proof of which will be required for any claim.



Parts Information:  
**Pallet Truck with Scales - 2000kg Capacity**  
**1150 x 555mm**  
**Model No: PT1150SC.V4**

Item	Part No.	Description	Qty
309	B/6204-2RS	Bearing 6204-2rs	4
310	PT1150SC-V4-310	Pump Wheel (Red)	2
311	PT1150SC-V4-311	Spring Pin 8 x 45	1
312	PT1150SC-V4-312	Spring Pin 5 x 30	2
313	PT1150SC-V4-313	Thrust Plate	1
314	PT1150SC-V4-314	External Circlip	1
315	B/51111	Bearing Race 51111	1
316	PT1150SC-V4-316	Steering Wheel Axle Ø25 x 180	1
317	SN8.S	Steel Nut M8 Zinc	1
318	PT1150SC-V4-318	Adjustment Screw M8x20	1
319	PT1150SC-V4-319	Lever Plate	1
320	PT1150SC-V4-320	Spring Pin 8 x 50	1
321	PT1150SC-V4-321	Hydraulic Valve Assembly	1
322B	PT1150SC-V4-322	Hydraulic Cylinder Assembly (Black)	1
323	PT1150SC-V4-323	Rubber Seal 15 x 10 x 3	1

Item	Part No.	Description	Qty
324	PT1150SC-V4-324	Pump Screw	1
325	PT1150SC-V4-325	Seal Ring for Pump Piston 35 x 45 x 6	1
326	PT1150SC-V4-326	O-Ring 34.52 x 3.53	1
327	PT1150SC-V4-327	Dust Ring 35 x 43 x 5	1
328	PT1150SC-V4-328	Piston Ø35 x 277	1
329	SB-18.2	Steel ball 18.2mm	1
330	PT1150SC-V4-330	Safety Valve Screw M14 x 1.5 x 6	1
331	PT1150SC-V4-331	Safety Valve O-Ring 18 x 2.4	1
332	PT1150SC-V4-332	Adjusting Screw M12 x 1.5 x 18	1
333	PT1150SC-V4-333	Safety Valve Spring Ø7 x Ø3 x 24.5	1
334	PT1150SC-V4-334	Safety Valve Core	1
335	GNM19S	Grease Nipple str 6 x 1.00mm single	1
336	PT1150SC-V4-336	Cylinder Frame Ø35.5 x Ø18 x 60	1
337	PT1150SC-V4-337	Bearing Protective Cover Ø83 x Ø81.4 x 13	1



Item	Part No.	Description	Qty
237	PT1150SC-V4-237	Indicator (with Printer)	1
238	PT1150SC-V4-238	Battery 6V 4.5Ah 20Hr	2
239	PT1150SC-V4-239	Indicator Holder	2

Item	Part No.	Description	Qty
240	PT1150SC-V4-240	Printer	1
--	PT1150SC-V4-241	Screw M5 x 8-8.8 (Not Shown)	1

**NOTE:** It is our policy to continually improve products and as such we reserve the right to alter data, specifications and component parts without prior notice. There may be alternative versions of this product, please contact us should you require this information.

**IMPORTANT:** No liability is accepted for incorrect use of product. Spare parts must be fitted by a competent person

**WARRANTY:** Guarantee is 12 months from purchase date, proof of which will be required for any claim.

**Sealey Group**, Kempson Way, Suffolk Business Park, Bury St Edmunds, Suffolk. IP32 7AR



01284 757500



01284 703534



sales@sealey.co.uk



www.sealey.co.uk